

English

126
PO

IMPORTANT SAFETY RULES

Read and follow all safety information and instructions. Keep for future reference. Failure to follow these warnings and instructions can result in serious injury or death to users, especially children.

Refer to the model name or number stated on the packaging.
Packaging must be read carefully and kept for future reference.
See product for additional warnings.

 WARNING	
NO DIVING OR JUMPING SHALLOW WATER 	PREVENT DROWNING  Supervise, Supervise, Supervise
<ul style="list-style-type: none">• Children, especially children under five years, are at high risk of drowning.• Closely watch children who are in or near this pool• Diving or jumping may result in broken neck, paralysis, permanent injury or death.• Empty pool or prevent access when not in use. Store the empty pool in such a way that it does not collect water from rain or any other source.	

Prevent Young Children From Drowning:

- Keep unsupervised children from accessing the pool by installing fencing or other approved barrier around all sides of pools. State or local laws or codes may require fencing or other approved barriers. Check state or local laws and codes before setting up pool. Refer to the list of barrier recommendations and guidelines as described in CPSC Publication No. 362. "Safety Barrier Guideline for Home Pools" found at www.poolsafely.gov.
- Keep children in your direct sight when they are in or near pool. Pool presents a drowning hazard even during filling and draining of the pool. Maintain constant supervision of children and do not remove any safety barriers until the pool is completely empty and stowed away.
- Drowning occurs silently and quickly. Assign an adult to be responsible for watching children in the pool. Give this person a "water watcher" tag and ask that they wear it the entire time they are in charge of supervising children in the pool. If they need to leave for any reason, ask this person to pass the "water watcher" tag and the supervision responsibility to another adult. Visit www.intexcorp.com to print additional tags.
- When searching for a missing child, check the pool first, even if you think your child is in the house.

Prevent Young Children From Gaining Access to Pool:

- When leaving the pool, remove floats and toys from the pool that might attract a child.
- Position furniture (for example, tables, chairs) away from pool so that children cannot climb on it to gain access to the pool.

SAVE THESE INSTRUCTIONS

Electrocution Risk:

- Keep all electrical lines, radios, speakers and other electrical appliances away from the pool.
- Do not place pool near or under overhead electrical lines.

126
PO

Be Prepared to Respond to an Emergency:

- Keep a working phone and a list of emergency numbers near the pool.
- Become certified in cardiopulmonary resuscitation (CPR) so you can respond to an emergency. In the event of an emergency, immediate use of CPR can make a life-saving difference.

SAFETY WARNING FOR PET

- Do not let your pet enter the pool before it is filled with water.
- Familiarize your pet with the product. Never force the pet to enter the pool.
- Supervise and keep a close eye on your pet in the pool. Accidental pet drownings do happen.
- Do not allow your pet to enter the pool if the water is too cold to avoid hypothermia.
- Check with a veterinarian prior to using this product if your pet is sick or has an open wound.
- Do not allow your pet to drink the pool water, provide a separate source of drinking water.
- Do not allow your pet to bite, chew, or stand on the edge of the product.
- Watch your pet's play behavior in and around the pool, especially if you have more than one pet, to avoid injury to pets and especially to children if they are around.
- Trim your pet's nails before use to avoid scratching or puncturing the product.
- De-shed or brush, and hose off your pet before allowing them to enter the pool.
- Remove any sharp objects such as pet chew toys from the pool.
- Replace water after use by your pet.

General:

- Pool and pool accessories are to be assembled and disassembled by adults only.
- Do not lean, straddle, or exert pressure on the inflatable wall or side wall as injury or flooding could occur. Do not allow anyone to sit on, climb, or straddle the sides of the pool.
- Keep your pool clean and clear. The pool floor must be visible at all times from the outside barrier of the pool.
- Protect all pool occupants from recreational water illnesses by keeping the pool water clean. Don't swallow the pool water. Practice good hygiene.
- Remove all hard, sharp and loose objects such as jewelries, watches, buckles, keys, shoes, hairpin, etc from users before entering the pool.
- Pools are subject to wear and deterioration. Properly maintain your pool. Certain types of excessive or accelerated deterioration can lead to pool failure. Pool failure might cause large quantities of water to release from the pool.
- Do not modify this product and/or use accessories not supplied by the manufacturer. There are no serviceable parts.
- Do not unfold or fold the product at temperatures below 5 °C (41 °F).
- For additional information on safety, please visit:
 - The Association of Pool and Spa Professionals: The Sensible Way to Enjoy Your Aboveground/Onground Swimming Pool www.nspi.org
 - American Academy of Pediatrics: Pool Safety for Children www.aap.org
 - Red Cross: www.redcross.org
 - Safe Kids: www.safekids.org
 - Home Safety Council: Safety Home Guide www.homesafetycouncil.org
 - Toy Industry Association: Toy Safety www.toy-tia.org



WARNING

**CHOKING HAZARD – Small parts
Not for children under 3 yrs.**

SAVE THESE INSTRUCTIONS

POOL SET UP
IMPORTANT SITE SELECTION AND GROUND PREPARATION INFORMATION

 **WARNING**

- The pool location must allow you to secure all doors, windows, and safety barriers to prevent unauthorized, unintentional or unsupervised pool entry.
- Install a safety barrier that will eliminate access to the pool for young children and pets.
- Failure to set up the pool on flat, level, compact ground and in accord with the following instructions could result in the pool's collapse or the possibility that a person lounging in the pool could be swept out, resulting in serious injury or property damage.

Select an outdoor location for the pool with the following in mind:

1. The area where the pool is to be set up must be absolutely flat and level. Do not set up the pool on a slope or inclined surface. Only for outdoor use.
2. The ground surface must be compacted and firm enough to withstand the pressure and weight of a fully set up pool. Do Not set up the pool on mud, sand, soft or loose soil condition, deck, platform, concrete, asphalt or any other hard surfaces.
3. Certain types of grass such as St. Augustine and Bermuda, may grow through the liner. Grass growing through the liner it is not a manufacture defect.
4. The area shall facilitate drainage of the pool water after each use and/or for long term pool storage.

Barriers for Residential Swimming Pool Guidelines:

An outdoor swimming pool, including an inground, aboveground, or onground pool, hot tub, or spa, should be provided with a barrier which complies with the following:

1. The top of the barrier should be at least 48 inches above grade measured on the side of the barrier which faces away from the swimming pool. The maximum vertical clearance between grade and the bottom of the barrier should be 4 inches measured on the side of the barrier which faces away from the swimming pool. Where the top of the pool structure is above grade, such as an aboveground pool, the barrier may be at ground level, such as the pool structure, or mounted on top of the pool structure. Where the barrier is mounted on top of the pool structure, the maximum vertical clearance between the top of the pool structure and the bottom of the barrier should be 4 inches.
2. Openings in the barrier should not allow passage of a 4-inch diameter sphere.
3. Solid barriers, which do not have openings, such as a masonry or stone wall, should not contain indentations or protrusions except for normal construction tolerances and tooled masonry joints.
4. Where the barrier is composed of horizontal and vertical members and the distance between the tops of the horizontal members is less than 45 inches, the horizontal members should be located on the swimming pool side of the fence. Spacing between vertical members should not exceed 1-3/4 inches in width. Where there are decorative cutouts, spacing within the cutouts should not exceed 1-3/4 inches in width.

SAVE THESE INSTRUCTIONS

126
PO

5. Where the barrier is composed of horizontal and vertical members and the distance between the tops of the horizontal members is 45 inches or more, spacing between vertical members should not exceed 4 inches. Where there are decorative cutouts, spacing within the cutouts should not exceed 1-3/4 inches in width.
6. Maximum mesh size for chain link fences should not exceed 1-1/4 inch square unless the fence is provided with slats fastened at the top or the bottom which reduce the openings to no more than 1-3/4 inches.
7. Where the barrier is composed of diagonal members, such as a lattice fence, the maximum opening formed by the diagonal members should be no more than 1-3/4 inches.
8. Access gates to the pool should comply with Section I, Paragraphs 1 through 7, and should be equipped to accommodate a locking device. Pedestrian access gates should open outward, away from the pool, and should be self-closing and have a self-latching device. Gates other than pedestrian access gates should have a self-latching device. Where the release mechanism of the self-latching device is located less than 54 inches from the bottom of the gate, (a) the release mechanism should be located on the pool side of the gate at least 3 inches below the top of the gate and (b) the gate and barrier should have no opening greater than 1/2 inch within 18 inches of the release mechanism.
9. Where a wall of a dwelling serves as part of the barrier, one of the following should apply:
 - (a) All doors with direct access to the pool through that wall should be equipped with an alarm which produces an audible warning when the door and its screen, if present, are opened. The alarm should sound continuously for a minimum of 30 seconds within 7 seconds after the door is opened. Alarms should meet the requirements of UL 2017 General- Purpose Signaling Devices and Systems, Section 77. The alarm should have a minimum sound pressure rating of 85 dBA at 10 feet and the sound of the alarm should be distinctive from other household sounds, such as smoke alarms, telephones, and door bells. The alarm should automatically reset under all conditions. The alarm should be equipped with manual means, such as touchpads or switches, to temporarily deactivate the alarm for a single opening of the door from either direction. Such deactivation should last for no more than 15 seconds. The deactivation touchpads or switches should be located at least 54 inches above the threshold of the door.
 - (b) The pool should be equipped with a power safety cover which complies with ASTM F1346-91 listed below.
 - (c) Other means of protection, such as self-closing doors with self-latching devices, are acceptable so long as the degree of protection afforded is not less than the protection afforded by (a) or (b) described above.
10. Where an aboveground pool structure is used as a barrier or where the barrier is mounted on top of the pool structure, and the means of access is a ladder or steps, then (a) the ladder to the pool or steps should be capable of being secured, locked or removed to prevent access, or (b) the ladder or steps should be surrounded by a barrier. When the ladder or steps are secured, locked, or removed, any opening created should not allow the passage of a 4-inch diameter sphere. Barriers should be located so as to prohibit permanent structures, equipment or similar objects from being used to climb the barriers.

SAVE THESE INSTRUCTIONS

SET UP:

126
PO

Depending on the size of the product, 2 or more adults are recommended for set up.

Set up time may vary from 10 to 20 minutes excluding water fill time.

1. Find a flat, level lawn surface that is free and clear of stones, branches or other sharp objects that may puncture the pool liner or cause injury.
2. Move the product (in its package) to the selected site – do not drag it since it may result in leaks or damage.
3. Slowly pull out of package, unfold (DO NOT pull lining) and inspect the product for rips, tears or punctures. Do not use if the product is damaged.
4. Unfold the pool, spreading the pool out and carefully pull sidewall outward from center.
5. Check that the drain valve is securely closed inside and outside. Pre-fill with half (1/2) inch of water and make pool round. Smooth out wrinkles on bottom for a perfect set up.
6. Slowly fill with water up to 90% of the wall height. Do not overfill. The sidewalls will gradually stand as the pool is filled.

POOL MAINTENANCE & DRAINAGE:

- Inspect the pool at the beginning of each use for holes, wear and tear and other damages. Never use a damaged pool.
- Water can be easily contaminated. Change the water of the pool frequently (particularly in hot weather) or when noticeably contaminated.
- Maintain pool water at chemical levels that are safe for human and pet. Consult your pool supply store for instructions.
- Keep all pool chemicals away from children and pets.
- Clean the pool with soapy water and sponge only. Do not use bleach or harsh cleaning agents.

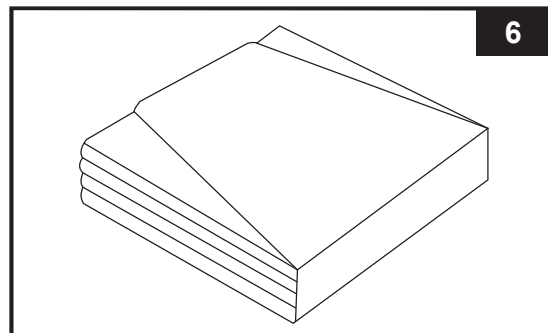
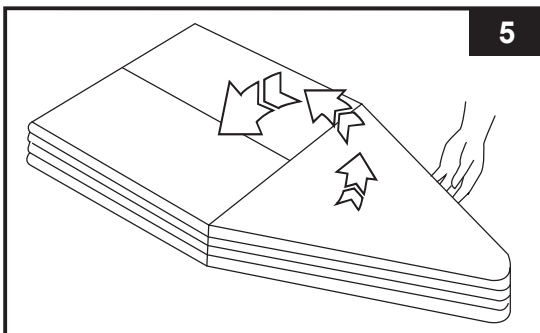
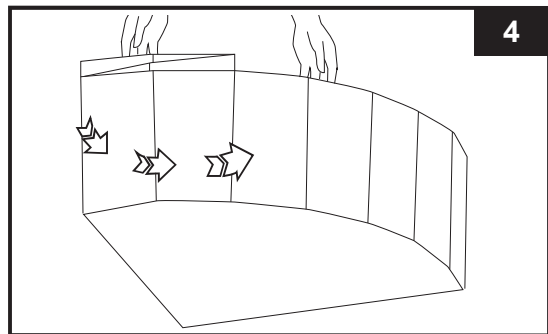
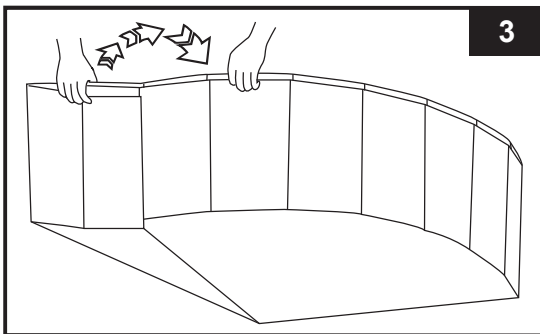
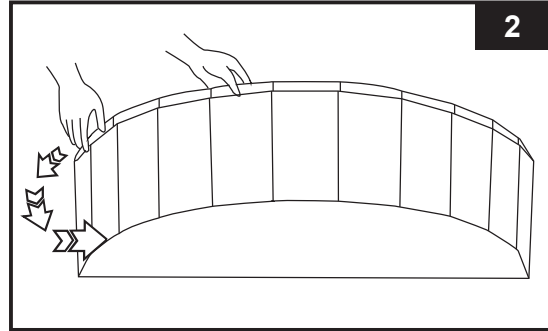
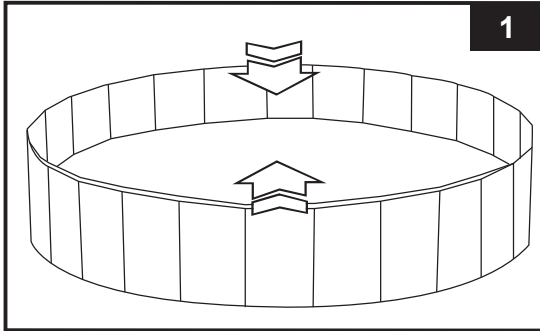
How to Drain Your Pool and Long Term Storage:

1. Adults shall drain and store the pool. Check local regulations for specific directions regarding disposal of swimming pool water.
2. Remove all accessories, toys, garden hose, etc from the pool.
3. Open the drain valve caps on the inside and outside of the pool. **NOTE:** Do not tip or lift to empty the pool. You may tip to drain out residual water.
4. Be sure pool and all parts are completely dry before folding. Sprinkle talcum powder to prevent vinyl from sticking together and to absorb any water you may have missed.

SAVE THESE INSTRUCTIONS

126
PO

5. Bring together the sidewalls and fold up for storage (Fig 1-6).



6. Store the pool in a dry and cool storage location.

7. The original packing carton can be used for storage.

Repair patch:

A repair patch has been included with the product to repair small leak and holes. Refer to the instructions on the back of the repair patch.

For the following item number: 48400.

SAVE THESE INSTRUCTIONS

Limited Warranty

126
PO

Your Intex Pool has been manufactured using the highest quality materials and workmanship. All Intex products have been inspected and found free of defects prior to leaving the factory. This Limited Warranty applies to the Intex Pool only.

The provisions of this Limited Warranty apply only to the original purchaser and is not transferable. This Limited Warranty is valid for the period noted below from the date of the initial retail purchase. Keep your original sales receipt with this manual, as proof of purchase will be required and must accompany warranty claims or the Limited Warranty is invalid.

Pool Warranty - 180 days

If a manufacturing defect is found within this 180 days period, please contact the appropriate Intex Service Center listed in the separate "Authorized Service Centers" sheet. The Service Center will determine the validity of the claim. If the Service Center directs you to return the product, please carefully package the product and send with shipping and insurance prepaid to the Service Center. Upon receipt of the returned product, the Intex Service Center will inspect the item and determine the validity of the claim. If the provisions of this warranty cover the item, the item will be repaired or replaced at no charge.

Any and all disputes regarding the provisions of this Limited Warranty shall be brought before an informal dispute settlement board and unless and until the provisions of these paragraphs are carried forth, no civil action may be instituted. The methods and procedures of this settlement board shall be subject to the rules and regulations set forth by the Federal Trade Commission (F.T.C.). IMPLIED WARRANTIES ARE LIMITED TO THE TERMS OF THIS WARRANTY AND IN NO EVENT SHALL INTEX, THEIR AUTHORIZED AGENTS OR EMPLOYEES BE LIABLE TO THE BUYER OR ANY OTHER PARTY FOR DIRECT OR CONSEQUENTIAL DAMAGES OR LIABILITIES. Some states, or jurisdictions do not allow the exclusion or limitation of incidental or consequential damages, so the above limitation or exclusion may not apply to you.

This Limited Warranty does not apply if the Intex product is subject to negligence, abnormal use or operation, accident, improper operation, improper maintenance or storage, or to damage by circumstances beyond Intex's control, including but not limited to, punctures, tears, abrasions, ordinary wear and tear and damage caused by exposure to fire, flood, freezing, rain, or other external environmental forces. This Limited Warranty applies only to those parts and components sold by Intex. The Limited Warranty does not cover unauthorized alterations, repairs or disassembly by anyone other than Intex Service Center personnel.

DO NOT GO BACK TO THE PLACE OF PURCHASE FOR RETURN OR REPLACEMENT. IF YOU ARE MISSING PARTS OR NEED ASSISTANCE, PLEASE CALL US (FOR U.S. AND CANADIAN RESIDENTS): 1-310-549-8235 OR VISIT OUR WEBSITE: WWW.INTEXCORP.COM.

Proof of Purchase must accompany all returns or the warranty claim will be invalid.

©2024 Intex Marketing Ltd. - Intex Development Co. Ltd. - Intex Recreation Corp. All rights reserved/Tous droits réservés/Todos los derechos reservados/Alle Rechte vorbehalten. Printed in China/Imprimé en Chine/Impreso en China/Gedruckt in China.
®™ Trademarks used in some countries of the world under license from/®™ Marques utilisées dans certains pays sous licence de/Marcas registradas utilizadas en algunos países del mundo bajo licencia de/Warenzeichen verwendet in einigen Ländern der Welt in Lizenz von/Intex Marketing Ltd. to/à/a/an Intex Development Co. Ltd., Hong Kong & Intex Recreation Corp., P.O. Box 1440, Long Beach, CA 90801 • Distributed in the European Union by/ Distribué dans l'Union Européenne par/Distribuido en la unión Europea por/Vertrieb in der Europäischen Union durch/Intex Trading B.V., Ettenseweg 46, 4706 PB Roosendaal - The Netherlands • Distributed in the UK by Unitex Service (UK) Limited, 21 Holborn Viaduct, London EC1A 2DY, UK.
www.intexcorp.com Consumer Service 1-310-549-8235

INTEX®

SAVE THESE INSTRUCTIONS