

SMT1509072

1/3

①
M6*25 8 PCS

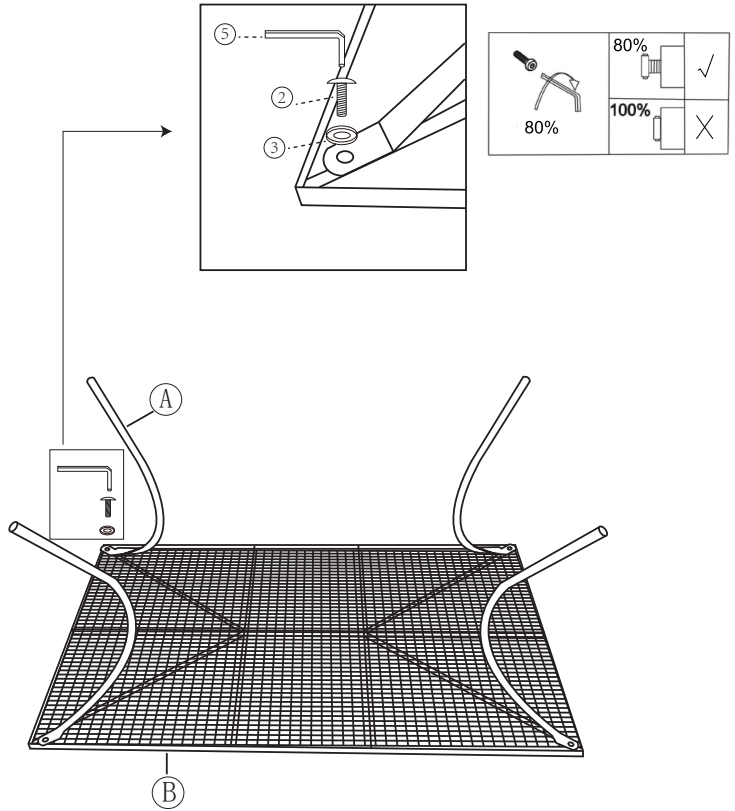
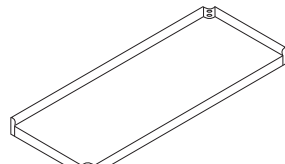
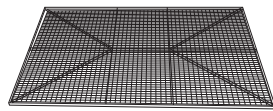
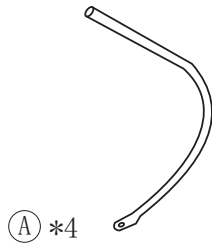
②
M8*16 4 PCS

③
M6 8 PCS

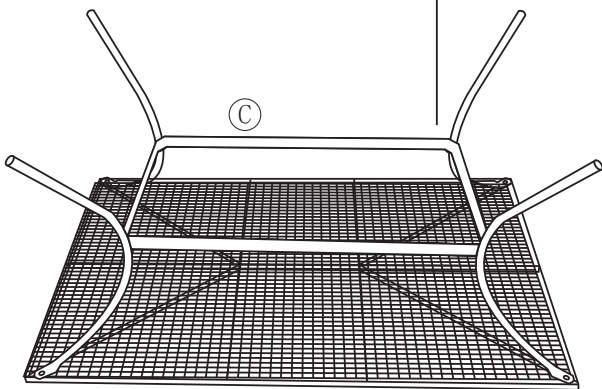
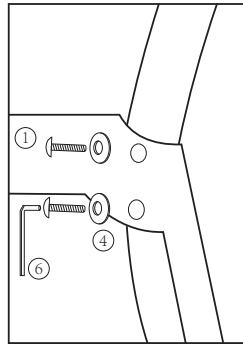
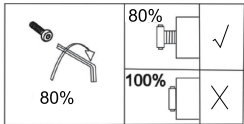
④
M8 4 PCS

⑤
M5 1 PCS

⑥
M4 1 PCS



2/3



3/3

