

hama

00221052
00221054

Universal Remote Control

4in1 / 8in1

Universal Fernbedienung



Operating Instructions **GB**

Bedienungsanleitung **D**

Mode d'emploi **F**

Instrucciones de uso **E**

Gebruiksaanwijzing **NL**

Istruzioni per l'uso **I**

Instrukcja obsługi **PL**

Használati útmutató **H**

Manual de utilizare **RO**

Návod k použití **CZ**

Návod na použitie **SK**

Manual de instruções **P**

Bruksanvisning **S**

Руководство по эксплуатации **RUS**

Работна инструкция **BG**

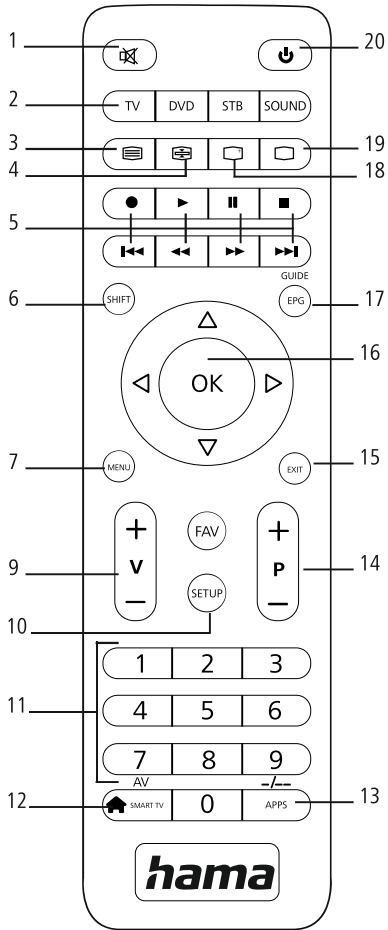
Οδηγίες χρήσης **GR**

Kullanma kılavuzu **TR**

Käyttöohje **FIN**

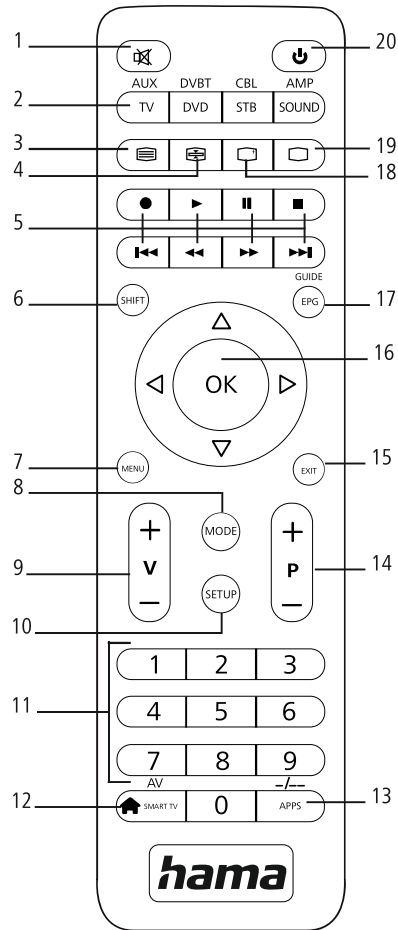


4in1

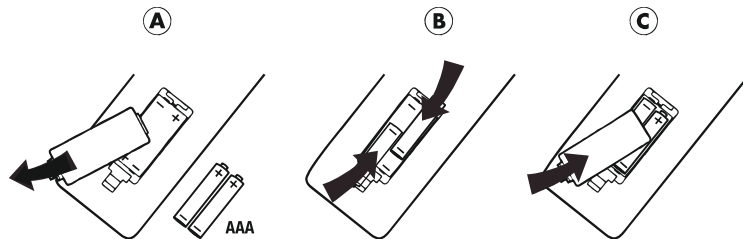


Art.Nr.: 00221052

8in1



Art.Nr.: 00221054



Universal remote control

Thank you for choosing a Hama product. Take your time and read the following instructions and information in full. Please keep these instructions in a safe place for later reference.

Function keys (4 in 1, 8 in 1 models)

1. Mute switch
2. Buttons for device selection
3. Text ON: Switch on Teletext
4. Hold: Hold current Teletext page
5. ◀◀ Rewind/red
 - ▶ Play/yellow
 - ▶▶ Fast forward/blue
 - Start recording
 - Stop/green
 - || Pause/magenta
6. Shift key
7. Menu: Open the device menu
8. Mode key for selecting the secondary device group (only 8 in 1 model: AUX,DVBT,CBL,AMP)
9. Vol+/Vol-: Volume control
10. Setup: Remote control settings
11. Number keys 0-9
12. Smart TV: Open the Smart TV menu (if supported by the device)
 - Shift+Smart TV: Select external AV source
13. APPS: Open the App menu (if supported by the device)
 - Shift+APPS: Switch to two-digit channel numbers
14. PROG+/PROG-: Programme selection, up / down
15. EXIT: Exit the device menu
16. OK: Confirm selection
17. EPG: Electronic Programme Guide (if supported by the selected AV device)
18. Info: On-screen information (if supported by the AV device)
19. Text OFF: Exit Teletext
20. Power: ON/OFF / LED

1. Explanation of warning symbols and notes

Warning



This symbol is used to indicate safety instructions or to draw your attention to specific hazards and risks.

Note



This symbol is used to indicate additional information or important notes.

2. Supplied package

- Universal remote control
- List of codes
- These operating instructions
- 2 x AAA batteries

3. Safety instructions

- Do not use the universal remote control in damp environments and avoid contact with splashing water.
- Keep the universal remote control away from heat sources and do not expose it to direct sunlight.
- As with all electrical products, the universal remote control should be kept out of the reach of children.
- This product is intended for private, non-commercial use only.
- Use the product only for the intended purpose.
- Protect the product from dirt, moisture and overheating and use it in dry rooms only.
- Do not use the product in areas in which electronic products are not permitted.
- Do not drop the product and do not expose it to any major shocks.
- Do not modify the product in any way. Doing so voids the warranty.
- Keep the packaging material out of the reach of children due to the risk of suffocation.
- Dispose of packaging material immediately in accordance with the locally applicable regulations.
- Do not operate the product outside the power limits specified in the technical data.
- Do not open the device or continue to operate it if it becomes damaged.
- Do not attempt to service or repair the product yourself. Leave any and all service work to qualified experts.
- Only use the article under moderate climatic conditions.

Warning – Batteries



- When inserting batteries, note the correct polarity (+ and - markings) and insert the batteries accordingly. Failure to do so could result in the batteries leaking or exploding.
- Only use batteries that match the specified type. Keep the instructions for the correct choice of batteries included with the operating instructions of devices safe for future reference.
- Before you insert the batteries, clean the battery contacts and the polarity contacts.
- Do not allow children to change batteries without supervision.
- Replace all the batteries in a set at the same time.
- Do not mix old and new batteries, or batteries of different types or from different manufacturers.
- Remove the batteries from products that are not being used for an extended period (unless these are being kept ready for an emergency).
- Do not short-circuit batteries.
- Do not charge batteries.
- Do not burn batteries or heat them up.
- Never open, damage or swallow batteries or allow them to enter the environment. They can contain toxic, environmentally harmful heavy metals.
- Remove spent batteries from the product and dispose of them without delay.
- Avoid storing, charging and using in extreme temperatures and at extremely low atmospheric pressures (such as at high altitudes).
- Ensure that batteries with damaged housings do not come into contact with water.
- Keep batteries out of the reach of children.



4. First steps - Inserting the batteries

Note



- Alkaline batteries are recommended. Use two batteries of the type "AAA" (LR 03/Micro).
- Remove the battery cover on the back of the universal remote control (A).
- Insert the batteries, observing the "+/-" marks for polarity (B).
- Close the battery compartment (C).

Note: Code memory



- When replacing the batteries, all the codes you have programmed remain stored for up to 10 minutes. Make sure that you do not press any buttons until the new batteries are inserted in the remote control. If you press a button and there are no batteries in the remote control, all codes will be deleted.

Note: Energy saving function



- The remote control switches itself off automatically if a button is pressed for longer than 15 seconds. This prolongs the life of the batteries if the remote control is stuck in a place where the buttons are pressed permanently, e.g. between sofa cushions.

5. Setup

Note



- For proper infra-red transmission, always hold the remote control in the approximate direction of the device to be operated.
- Press the "MODE" button to select the secondary device group: AUX, AMP,DVB-T, CBL (8 in 1 model only).
- Press the "SHIFT" key to control the blue function keys. The shift function is deactivated by pressing the "SHIFT" key again or automatically after 30 seconds if no key is pressed.
- If no entry is made within 30 seconds, SETUP mode is automatically terminated. The LED flashes six times and then goes out.
- Each type of device can be programmed under any device key, e.g. a TV can be programmed under DVD, AUX, etc.
- You cannot operate a device with the universal remote control while it is in Setup mode. Exit Setup mode and select the device to be operated using the device selection buttons.
- Please note that the remote control emits infra-red signals. These are not visible to the human eye.

5.1 Direct code entry

A code list is included in the universal remote control's extent of delivery. The code list contains five-digit codes for setting the remote control to work with most AV equipment manufacturers. For easy orientation, the codes are sorted first by type of device (TV, DVD, etc.) and within the type of device alphabetically by brand name. The following QR code allows you to create a list of available codes for the brand of your device.



<https://support.hama.com/codefinder>

- 5.1.1 Switch the device you wish to operate on.
- 5.1.2 Press the "SETUP" button until the LED lights up continuously.
- 5.1.3 Use the device button to select the device to be operated (e.g. TV). If the selection is successful, the LED flashes once and then lights up permanently.
- 5.1.4 Search the code list for the brand and type of the device to be operated.

- 5.1.5 Enter the corresponding five-digit code using the number buttons 0-9. The LED confirms the entry of each digit with a short flash and goes out after the fifth digit.
- 5.1.6 Then test the remote control and check whether the desired functions can be controlled. It is possible that the first code is not the most suitable, and possibly not all functions are available. In this case, try the next code mentioned for the selected device type/brand from the list.

Note

- A valid code is automatically saved.
- If the code is invalid, the LED flashes six times and then goes out. Repeat steps 5.1.1 to 5.1.5, or use another method to enter the code.

5.2 Manual code search

The universal remote control has an internal memory that already contains up to 350 codes per device type for the most common AV devices. You can go through these codes until the device to be operated shows a response. For example, the device to be operated switches off ("POWER" key) or changes channel ("PROG+/PROG-" key).

- 5.2.1 Switch the device you wish to operate on.
- 5.2.2 Press the SETUP button until the LED lights up permanently.
- 5.2.3 Use the device button to select the device to be operated (e.g. TV). If the selection is successful, the LED flashes once and then lights up permanently.
- 5.2.4 Press the "POWER" or "PROG+/PROG-" key to scroll through the preset codes until the device to be operated shows a response.
- 5.2.5 Press "OK" to save the code and exit the code search. The LED goes out.
- 5.2.6 Then test the remote control and check whether the desired functions can be controlled. It is possible that the first code found is not the most suitable, and possibly not all functions are available. In this case, repeat steps 5.2.1. – 5.2.5. The code search starts with the next code following the last one saved.

Note

A maximum of 350 codes of the most common devices can be stored in the internal memory. Due to the numerous AV devices available on the market, it may happen that only the most common main functions are available. If this is the case, repeat steps 5.2.1 to 5.2.5 to find a more compatible code. A code may not be available for some specific device models.

5.3 Automatic code search

The automatic code search uses the same preset codes as the manual code search (5.2). However, the universal remote control automatically searches the codes until the device to be operated shows a response. For example, the device to be operated switches off ("POWER" key) or changes channel ("PROG+/PROG-" keys).

- 5.3.1 Switch the device you wish to operate on.
- 5.3.2 Press the "SETUP" button until the LED lights up continuously.
- 5.3.3 Use the device button to select the device to be operated (e.g. TV). If the selection is successful, the LED flashes once and then lights up permanently.
- 5.3.4 Press the "PROG+/PROG-" or "POWER" key to start the automatic code search. The LED flashes once and then lights up permanently. It takes 6 seconds for the universal remote control to start the first search.

Note: Setting the search speed

- The default setting for the search time per code is 1 second. If this does not suit you, you can change to a search time of 3 seconds per code. To switch between search times, press "PROG+" or "PROG-" within the 6 seconds before the automatic code search starts.
- 5.3.5 The LED confirms the respective code searches with a single flash.
- 5.3.6 As soon as the device to be operated shows a response, press the "OK" button to save the code and exit the code search. The LED goes out.
- 5.3.7 Then test the remote control and check whether the desired functions can be controlled. It is possible that the first code found is not the most suitable, and possibly not all functions are available. In this case, repeat steps 5.3.1. – 5.3.6. The code search starts with the next code following the last one saved.
- 5.3.8 To cancel the automatic search during the search process, press the "EXIT" key.

Note



- If all codes have been searched without success, the universal remote control exits the automatic code search and automatically returns to operating mode. The currently stored code remains unchanged.

5.4 Code recognition

Code recognition offers you the ability to determine a code you have already saved.

- 5.4.1 Press the "SETUP" button until the LED lights up continuously.
- 5.4.2 Use the device button to select the device to be operated (e.g. TV). If the selection is successful, the LED flashes once and then lights up permanently.
- 5.4.3 Press the "SETUP" button. The LED flashes once and then lights up permanently.
- 5.4.4 Press one of the number keys from 0 to 9 to search for the first digit. The LED flashes once for the first digit of the five-digit code number.
- 5.4.5 Repeat step 5.4.4 for the second, third, fourth and fifth digits respectively.
- 5.4.6 You can then enter the determined code in the table below if you need it again at a later time (e.g. after accidentally deleting the remote control settings).

CODES			
TV	SOUND	STB	DVD
AUX	AMP	CBL	DVBT

6. Special functions

6.1 Station punch-through

With the station punch-through function, the PROG+ or PROG- commands can bypass the currently controlled device and change the stations of a second device. All other commands are unaffected.

To activate the station punch-through function:

- Press the desired device key (e.g. TV).
- Press and hold the "PROG+" button.
- Press the desired device key (e.g. SAT).
- Release the "PROG+" key again (the LED flashes once when the setting is activated).

To deactivate the station punch-through function:

- Press the desired device key (e.g. TV).

- Press and hold the "PROG-" button.
- Press the desired device key (e.g. SAT).
- Release the "PROG-" key again (the LED flashes twice when the setting is deactivated).

6.2 Volume punch-through

With the volume punch-through function, the VOL+ or VOL- commands can bypass the device currently being controlled and adjust the volume of a second device. All other commands are unaffected.

To activate the volume punch-through function:

- Press the desired device key (e.g. TV).
- Press and hold the "VOL+" button.
- Press the desired device key (e.g. SAT).
- Release the "VOL+" key again (the LED flashes once when the setting is activated).

To deactivate the station punch-through function:

- Press the desired device key (e.g. TV).
- Press and hold the "VOL-" button.
- Press the desired device key (e.g. SAT).
- Release the "VOL-" key again (the LED flashes twice when the setting is deactivated).

6.3 Macro Power

Macro Power allows you to switch two AV devices on/off simultaneously.

To activate the Macro Power function:

- Press the desired device key (e.g. TV).
- Press and hold the "POWER" button.
- Press the desired device key (e.g. SAT).
- Release the "POWER" button again (the LED flashes once when the setting is activated).

To deactivate the Macro Power function:

- Press the desired device key (e.g. TV).
- Press and hold the "POWER" button.
- Press the desired device key (e.g. SAT).
- Release the "POWER" button again (the LED flashes twice when the setting is deactivated).

7. Maintenance

- Never use old and new batteries in the universal remote control at the same time, as old batteries tend to leak and can lead to a loss of performance.
- Never clean the universal remote control with scouring agents or harsh cleaning agents.
- Keep the universal remote control free of dust by cleaning it with a dry soft cloth.

8. Troubleshooting

Q. My universal remote control does not work!

A. Check the AV device. If the main switch on the device is off, the universal remote control cannot operate the device.

A. Check that the batteries are inserted correctly and that the polarity has been observed.

A. Check that you have pressed the appropriate device button for the device.

A. Replace the batteries if the battery level is low.

Q. If there are multiple device codes listed for the brand of my AV device, how do I select the correct device code?

A. To determine the correct device code for the AV device, test the codes one after the other until most of the buttons work properly.

Q. My AV device only responds to some key commands.

A. Try other codes until most of the buttons work properly.

Q. The brand of my AV device is not mentioned in the code list.

A. In this case, use the manual code search (Section 5.2) or the automatic code search (Section 5.3). During the code search, all codes for a device type are tested across manufacturers, e.g. all codes for SAT receivers regardless of the manufacturer.

Q. I have tried all the available codes for the brand of my AV device from the code list, but none of the codes mentioned work.

A. In this case, use the manual code search (Section 5.2) or the automatic code search (Section 5.3). During the code search, all codes for a device type are tested across manufacturers, e.g. all codes for SAT receivers regardless of the manufacturer.

9. Warranty disclaimer

Hama GmbH & Co KG assumes no liability and provides no warranty for damage resulting from improper installation/mounting, improper use of the product or from failure to observe the operating instructions and/or safety notes.

D Bedienungsanleitung

Universal-Fernbedienung

Danke, dass Sie sich für den Kauf eines Hama-Produkts entschieden haben.

Nehmen Sie sich die Zeit, und lesen Sie die folgenden Anweisungen und Informationen vollständig durch. Bitte bewahren Sie diese Anleitung zum späteren Nachschlagen an einem sicheren Platz auf.

Funktionstasten (Modelle 4 in 1, 8 in 1)

1. Stummschalter
2. Tasten zur Geräteauswahl
3. Text EIN: Teletext einschalten
4. Halten: Aktuelle Teletextseite halten
5. ◀◀ Rücklauf/rot
 - ▶ Wiedergabe/gelb
 - ▶▶ Schneller Vorlauf/blau
 - Aufnahme starten
 - Stopp/grün
 - || Pause/magenta
6. Shift-Taste
7. Menu: Gerätemenü öffnen
8. Modustaste zur Auswahl der sekundären Gerätegruppe (nur Modell 8 in 1: AUX,DVBT,CBL,AMP)
9. Vol+/Vol-: Lautstärkeregelung
10. Setup: Einstellungen der Fernbedienung
11. Zifferntasten 0-9
12. Smart TV: Smart TV Menü öffnen (wenn vom Endgerät unterstützt)
Shift+Smart TV: externe AV Quelle wählen
13. APPS: App-Menü öffnen (wenn vom Endgerät unterstützt)
Shift+APPS : Zu zweistelligen Sendernummern wechseln
14. PROG+/PROG-: Programmauswahl, nach oben/nach unten
15. EXIT: Gerätemenü verlassen
16. OK: Auswahl bestätigen
17. EPG: Elektronischer Programmführer (wenn vom ausgewählten AV-Gerät unterstützt)
18. Info: On-Screen-Informationen (wenn vom AV-Gerät unterstützt)
19. Text AUS: Teletext verlassen
20. Power: EIN/AUS / LED

1. Erklärung von Warnsymbolen und Hinweisen

Warnung



Wird verwendet, um Sicherheitshinweise zu kennzeichnen oder um Aufmerksamkeit auf besondere Gefahren und Risiken zu lenken.

Hinweis



Wird verwendet, um zusätzlich Informationen oder wichtige Hinweise zu kennzeichnen.

2. Lieferumfang

- Universal-Fernbedienung
- Codeliste
- Diese Bedienungsanleitung
- 2x AAA Batterien

3. Sicherheitshinweise

- Verwenden Sie die Universal-Fernbedienung nicht in feuchten Umgebungen, und vermeiden Sie Kontakt mit Spritzwasser.
- Halten Sie die Universal-Fernbedienung von Wärmequellen fern, und setzen Sie sie keinem direkten Sonnenlicht aus.
- Die Universal-Fernbedienung gehört wie alle elektrischen Geräte nicht in Kinderhände.
- Das Produkt ist für den privaten, nicht-gewerblichen Gebrauch vorgesehen.
- Verwenden Sie das Produkt ausschließlich für den dazu vorgesehenen Zweck.
- Schützen Sie das Produkt vor Schmutz, Feuchtigkeit und Überhitzung und verwenden Sie es nur in trockenen Räumen.
- Benutzen Sie das Produkt nicht in Bereichen, in denen elektronische Produkte nicht erlaubt sind.
- Lassen Sie das Produkt nicht fallen und setzen Sie es keinen heftigen Erschütterungen aus.
- Nehmen Sie keine Veränderungen am Produkt vor. Dadurch verlieren Sie jegliche Gewährleistungsansprüche.
- Halten Sie Kinder unbedingt von dem Verpackungsmaterial fern, es besteht Erstickungsgefahr.
- Entsorgen Sie das Verpackungsmaterial sofort gemäß den örtlich gültigen Entsorgungsvorschriften.
- Betreiben Sie das Produkt nicht außerhalb seiner in den technischen Daten angegebenen Leistungsgrenzen.
- Öffnen Sie das Produkt nicht und betreiben Sie es bei Beschädigungen nicht weiter.
- Versuchen Sie nicht, das Produkt selbst zu warten oder zu reparieren. Überlassen Sie jegliche Wartungsarbeit dem zuständigen Fachpersonal.
- Verwenden Sie den Artikel nur unter moderaten klimatischen Bedingungen.

Warnung – Batterien



- Beachten Sie unbedingt die korrekte Polarität (Beschriftung + und -) der Batterien und legen Sie diese entsprechend ein. Bei Nichtbeachtung besteht die Gefahr des Auslaufens oder einer Explosion der Batterien.
- Verwenden Sie ausschließlich Batterien, die dem angegebenen Typ entsprechen. Heben Sie Hinweise für die richtige Batteriewahl, die in der Bedienungsanleitung von Geräten stehen, zum späteren Nachschlagen auf.
- Reinigen Sie vor dem Einlegen der Batterien die Batteriekontakte und die Gegenkontakte.
- Gestatten Sie Kindern nicht ohne Aufsicht das Wechseln von Batterien.
- Wechseln Sie alle Batterien eines Satzes gleichzeitig.
- Mischen Sie alte und neue Batterien nicht, sowie Batterien unterschiedlichen Typs oder Herstellers.
- Entfernen Sie Batterien aus Produkten, die längere Zeit nicht benutzt werden (außer diese werden für einen Notfall bereit gehalten).
- Schließen Sie die Batterien nicht kurz.
- Laden Sie Batterien nicht.
- Werfen Sie Batterien nicht ins Feuer und erwärmen Sie sie nicht.
- Batterien nie öffnen, beschädigen, verschlucken oder in die Umwelt gelangen lassen. Sie können giftige und umweltschädliche Schwermetalle enthalten.
- Entfernen und entsorgen Sie verbrauchte Batterien unverzüglich aus dem Produkt.
- Vermeiden Sie Lagerung, Laden und Benutzung bei extremen Temperaturen und extrem niedrigem Luftdruck (wie z.B. in großen Höhen).
- Achten Sie darauf, dass Batterien mit beschädigtem Gehäuse nicht mit Wasser in Berührung kommen.
- Bewahren Sie Batterien außerhalb der Reichweite von Kindern auf.



4. Erste Schritte – Einsetzen der Batterien

Hinweis



- Es werden Alkalibatterien empfohlen. Verwenden Sie zwei Batterien vom Typ „AAA“ (LR 03/Micro).
- Entfernen Sie die Batteriefachabdeckung auf der Rückseite der Universal-Fernbedienung (A).
- Setzen Sie die Batterien unter Berücksichtigung der „+/-“-Markierungen für die Polarität ein (B).
- Schließen Sie das Batteriefach (C).

Hinweis: Codespeicher



Beim Ersetzen der Batterien bleiben alle von Ihnen programmierten Codes bis zu 10 Minuten gespeichert. Achten Sie darauf, dass Sie keine Tasten drücken, bis die neuen Batterien in der Fernbedienung eingesetzt sind. Wenn Sie eine Taste drücken und sich keine Batterien in der Fernbedienung befinden, werden alle Codes gelöscht.

Hinweis: Energiesparfunktion



Die Fernbedienung schaltet sich automatisch aus, wenn eine Taste länger als 15 Sekunden gedrückt wird. Dies verlängert die Lebensdauer der Batterien, sollte die Fernbedienung an einer Stelle feststecken, an der die Tasten dauerhaft gedrückt werden, z. B. zwischen Sofakissen.

5. Setup

Hinweis



- Halten Sie die Fernbedienung für eine ordnungsgemäße Infrarotübertragung immer in die ungefähre Richtung des zu bedienenden Geräts.
- Drücken Sie die „MODE“-Taste zur Auswahl der sekundären Geräte-Gruppe: AUX, AMP,DVB-T, CBL (nur beim 8in1 Modell).
- Drücken Sie die „SHIFT“-Taste zur Steuerung der blauen Funktions-Tasten. Die Shift-Funktion wird durch erneutes Drücken der „SHIFT“-Taste deaktiviert oder automatisch nach 30 Sekunden wenn keine Taste gedrückt wird.
- Falls innerhalb von 30 Sekunden keine Eingabe erfolgt, wird der SETUP-Mode automatisch beendet. Die LED blinkt sechsmal und geht dann aus.
- Jeder Gerätetyp kann unter einer beliebigen Gerätetaste programmiert werden, z. B. kann ein Fernseher unter DVD, AUX usw. programmiert werden.
- Sie können mit der Universal-Fernbedienung kein Gerät bedienen, solange sich diese im Setup-Modus befindet. Verlassen Sie den Setup-Modus, und wählen Sie das zu bedienende Gerät über die Tasten zur Geräteauswahl aus.
- Bitte beachten Sie, dass die Fernbedienung Infrarotsignale aussendet. Diese sind für das menschliche Auge nicht sichtbar.

5.1 Direkte Codeeingabe

Im Lieferumfang der Universal-Fernbedienung ist eine Codeliste enthalten. Die Codeliste enthält fünfstelligen Codes für die Einstellung der Fernbedienung auf die meisten AV-Gerätehersteller.

Zur einfachen Orientierung sind die Codes zuerst nach Geräteart (TV, DVD usw.) und innerhalb der Geräteart alphabetisch nach Markennamen sortiert.

Über folgenden QR Code können Sie eine Liste der verfügbaren Codes für die Marke Ihres Endgerätes erstellen.



<https://support.hama.com/codefinder>

- 5.1.1 Schalten Sie das zu bedienende Gerät ein.
- 5.1.2 Drücken Sie die Taste „SETUP“, bis die LED dauerhaft leuchtet.
- 5.1.3 Wählen Sie über die Gerätetaste das zu bedienende Gerät aus (z. B. TV). Bei erfolgreicher Auswahl blinkt die LED einmal und leuchtet danach dauerhaft.
- 5.1.4 Suchen Sie in der Codeliste nach Marke und Typ des zu bedienenden Geräts.
- 5.1.5 Geben Sie den entsprechenden fünfstelligen Code über die Zifferntasten 0-9 ein. Die LED bestätigt die Eingabe der einzelnen Ziffern jeweils mit einem kurzen Blinken und erlischt nach der fünften Ziffer.
- 5.1.6 Testen Sie anschließend die Fernbedienung und prüfen Sie, ob die gewünschten Funktionen gesteuert werden können. Möglicherweise ist der erste Code nicht der geeignetste, ggf. sind nicht alle Funktionen verfügbar. Probieren Sie in diesem Fall den nächsten, für die gewählte Geräteart/-marke genannten Code aus der Liste.

Hinweis

- Ein gültiger Code wird automatisch gespeichert.
- Bei einem ungültigen Code blinkt die LED sechsmal und erlischt anschließend. Wiederholen Sie die Schritte 5.1.1 bis 5.1.5, oder verwenden Sie eine andere Methode zur Codeeingabe.

5.2 Manuelle Codesuche

Die Universal-Fernbedienung verfügt über einen internen Speicher, in dem bereits bis zu 350 Codes pro Gerätetyp für die gängigsten AV-Geräte enthalten sind. Sie können diese Codes durchgehen, bis das zu bedienende Gerät eine Reaktion zeigt. Beispielsweise schaltet sich das zu bedienende Gerät aus (Taste „POWER“) oder wechselt den Sender (Taste „PROG+/PROG-“).

- 5.2.1 Schalten Sie das zu bedienende Gerät ein.
- 5.2.2 Drücken Sie die SETUP-Taste, bis die LED dauerhaft leuchtet.
- 5.2.3 Wählen Sie über die Gerätetaste das zu bedienende Gerät aus (z. B. TV). Bei erfolgreicher Auswahl blinkt die LED einmal und leuchtet danach dauerhaft.
- 5.2.4 Drücken Sie die Taste „POWER“ oder „PROG+/PROG-“, um durch die voreingestellten Codes zu blättern, bis das zu bedienende Gerät eine Reaktion zeigt.
- 5.2.5 Drücken Sie „OK“, um den Code zu speichern und die Codesuche zu verlassen. Die LED erlischt.

- 5.2.6 Testen Sie anschließend die Fernbedienung und prüfen Sie, ob die gewünschten Funktionen gesteuert werden können. Möglicherweise ist der erste gefundene Code nicht der geeignetste, ggf. sind nicht alle Funktionen verfügbar. Wiederholen Sie in diesem Fall die Schritte 5.2.1.–5.2.5. Die Codesuche startet mit dem nächsten Code, der auf den zuletzt gespeicherten folgt.

Hinweis

Im internen Speicher können maximal 350 Codes der gängigsten Geräte gespeichert werden. Aufgrund der zahlreichen auf dem Markt erhältlichen AV-Geräte kann es passieren, dass nur die gängigsten Hauptfunktionen verfügbar sind. Ist dies der Fall, wiederholen Sie die Schritte 5.2.1 bis 5.2.5, um einen kompatibleren Code zu finden. Für einige spezielle Gerätemodelle ist möglicherweise kein Code verfügbar.

5.3 Automatische Codesuche

- Die automatische Codesuche verwendet dieselben voreingestellten Codes wie die manuelle Codesuche (5.2). Die Universal-Fernbedienung durchsucht die Codes jedoch automatisch, bis das zu bedienende Gerät eine Reaktion zeigt. Beispielsweise schaltet sich das zu bedienende Gerät aus (Taste „POWER“) oder wechselt den Sender (Tasten „PROG+/PROG-“).
- 5.3.1 Schalten Sie das zu bedienende Gerät ein.
 - 5.3.2 Drücken Sie die Taste „SETUP“, bis die LED dauerhaft leuchtet.
 - 5.3.3 Wählen Sie über die Gerätetaste das zu bedienende Gerät aus (z. B. TV). Bei erfolgreicher Auswahl blinkt die LED einmal und leuchtet danach dauerhaft.
 - 5.3.4 Drücken Sie die Taste „PROG+/PROG-“ oder „POWER“, um die automatische Codesuche zu starten. Die LED blinkt einmal und leuchtet danach dauerhaft. Es dauert 6 Sekunden, bis die Universal-Fernbedienung mit der ersten Suche beginnt.

Hinweis:

Einstellen der Suchgeschwindigkeit

Die Standardeinstellung für die Suchzeit pro Code ist 1 Sekunde. Wenn Ihnen dies nicht zusagt, können Sie zu einer Suchzeit von 3 Sekunden pro Code wechseln. Um zwischen den Suchzeiten zu wechseln, drücken Sie „PROG+“ oder „PROG-“ innerhalb der 6 Sekunden vor dem Beginn der automatischen Codesuche.

- 5.3.5 Die LED bestätigt die jeweiligen Codesuchen mit einem einzelnen Blinken.
- 5.3.6 Sobald das zu bedienende Gerät eine Reaktion zeigt, drücken Sie die Taste „OK“, um den Code zu speichern und die Codesuche zu verlassen. Die LED erlischt.

5.3.7 Testen Sie anschließend die Fernbedienung und prüfen Sie, ob die gewünschten Funktionen gesteuert werden können. Möglicherweise ist der erste gefundene Code nicht der geeignetste, ggf. sind nicht alle Funktionen verfügbar. Wiederholen Sie in diesem Fall die Schritte 5.3.1.–5.3.6.

Die Codesuche startet mit dem nächsten Code, der auf den zuletzt gespeicherten folgt.

5.3.8 Um die automatische Suche während des Suchvorgangs abzubrechen, drücken Sie die Taste „EXIT“.

Hinweis



Wenn alle Codes ohne Erfolg durchsucht wurden, verlässt die Universal-Fernbedienung die automatische Codesuche und kehrt automatisch in den Betriebsmodus zurück. Der aktuell gespeicherte Code bleibt unverändert.

5.4 Codeerkennung

Die Codeerkennung bietet Ihnen die Möglichkeit, einen bereits von Ihnen gespeicherten Code zu ermitteln.

5.4.1 Drücken Sie die Taste „SETUP“, bis die LED dauerhaft leuchtet.

5.4.2 Wählen Sie über die Gerätetaste das zu bedienende Gerät aus (z. B. TV). Bei erfolgreicher Auswahl blinkt die LED einmal und leuchtet danach dauerhaft.

5.4.3 Drücken Sie die Taste „SETUP“. Die LED blinkt einmal und leuchtet danach dauerhaft.

5.4.4 Drücken Sie zur Suche der ersten Ziffer eine der Nummertasten von 0 bis 9. Die LED blinkt einmal für die erste Ziffer der fünfstelligen Codenummer.

5.4.5 Wiederholen Sie den Schritt 5.4.4 jeweils für die zweite, dritte, vierte und fünfte Ziffer.

5.4.6 Den ermittelten Code können Sie anschließend in untenstehender Tabelle eintragen, falls Sie diesen zu einem späteren Zeitpunkt nochmals benötigen (z.B. nach einem versehentlichen Löschen der Fernbedienungseinstellungen).

CODES			
TV	SOUND	STB	DVD
AUX	AMP	CBL	DVBT

6. Sonderfunktionen

6.1 Sender-Punch-Through

Mit der Sender-Punch-Through-Funktion können die Befehle PROG+ oder PROG- das aktuell gesteuerte Gerät umgehen, und die Sender eines zweiten Gerätes wechseln. Alle anderen Befehle sind davon nicht betroffen.

So aktivieren Sie die Sender-Punch-Through-Funktion:

- Drücken Sie die gewünschte Gerätetaste (z.B. TV).
- Halten Sie die Taste „PROG+“ gedrückt.
- Drücken Sie die gewünschte Gerätetaste (z.B. SAT).
- Lassen Sie die Taste „PROG+“ wieder los (die LED blinkt einmal bei aktivierter Einstellung).

So deaktivieren Sie die Sender-Punch-Through-Funktion:

- Drücken Sie die gewünschte Gerätetaste (z.B. TV).
- Halten Sie die Taste „PROG-“ gedrückt.
- Drücken Sie die gewünschte Gerätetaste (z.B. SAT).
- Lassen Sie die Taste „PROG-“ wieder los (die LED blinkt zweimal wenn die Einstellung deaktiviert wird).

6.2 Lautstärke-Punch-Through

Mit der Lautstärke-Punch-Through-Funktion können die Befehle VOL + oder VOL- das aktuell gesteuerte Gerät umgehen, und die Lautstärke eines zweiten Gerätes einstellen. Alle anderen Befehle sind davon nicht betroffen.

So aktivieren Sie die Lautstärke-Punch-Through-Funktion:

- Drücken Sie die gewünschte Gerätetaste (z.B. TV).
- Halten Sie die Taste „VOL+“ gedrückt.
- Drücken Sie die gewünschte Gerätetaste (z.B. SAT).
- Lassen Sie die Taste „VOL+“ wieder los (die LED blinkt einmal bei aktivierter Einstellung).

So deaktivieren Sie die Sender-Punch-Through-Funktion:

- Drücken Sie die gewünschte Gerätetaste (z.B. TV).
- Halten Sie die Taste „VOL-“ gedrückt.
- Drücken Sie die gewünschte Gerätetaste (z.B. SAT).
- Lassen Sie die Taste „VOL-“ wieder los (die LED blinkt zweimal wenn die Einstellung deaktiviert wird).

6.3 Macro Power

Mit Macro Power können Sie zwei AV-Geräte gleichzeitig ein-/ ausschalten.

So aktivieren Sie die Macro Power-Funktion:

- Drücken Sie die gewünschte Gerätetaste (z.B. TV).
- Halten Sie die Taste „POWER“ gedrückt.
- Drücken Sie die gewünschte Gerätetaste (z.B. SAT).
- Lassen Sie die Taste „POWER“ wieder los (die LED blinkt einmal bei aktivierter Einstellung).

So deaktivieren Sie die Macro Power-Funktion:

- Drücken Sie die gewünschte Gerätetaste (z.B. TV).
- Halten Sie die Taste „POWER“ gedrückt.
- Drücken Sie die gewünschte Gerätetaste (z.B. SAT).
- Lassen Sie die Taste „POWER“ wieder los (die LED blinkt zweimal wenn die Einstellung deaktiviert wird)

7. Wartung

- Verwenden Sie nie gleichzeitig alte und neue Batterien in der Universal-Fernbedienung, da alte Batterien zum Auslaufen neigen und zu einem Leistungsverlust führen können.
- Reinigen Sie die Universal-Fernbedienung keinesfalls mit Scheuermitteln oder scharfen Reinigungsmitteln.
- Halten Sie die Universal-Fernbedienung frei von Staub, indem Sie sie mit einem trockenen weichen Tuch reinigen.

8. Fehlerbehebung

F. Meine Universal-Fernbedienung funktioniert nicht!

A. Überprüfen Sie das AV-Gerät. Wenn der Hauptschalter des Geräts ausgeschaltet ist, kann die Universal-Fernbedienung das Gerät nicht bedienen.

A. Überprüfen Sie, dass die Batterien korrekt eingesetzt sind und die Polarität beachtet wurde.

A. Überprüfen Sie, ob Sie die entsprechende Gerätetaste für das Gerät gedrückt haben.

A. Tauschen Sie die Batterien bei niedrigem Batteriestand aus.

F. Wenn für die Marke meines AV-Geräts mehrere Gerätecodes aufgelistet sind, wie wähle ich den korrekten Gerätecode aus?

A. Um den korrekten Gerätecode für das AV-Gerät zu bestimmen, testen Sie die Codes nacheinander, bis die meisten Tasten ordnungsgemäß funktionieren.

F. Mein AV-Gerät reagiert nur auf einige Tastenbefehle.

A. Probieren Sie andere Codes, bis die meisten Tasten ordnungsgemäß funktionieren.

F. Die Marke meines AV-Gerätes ist nicht in der Codeliste genannt.

A. Verwenden Sie in diesem Fall die manuelle Codesuche (Kapitel 5.2) oder die automatische Codesuche (Kapitel 5.3). Beim Codesuchlauf werden alle Codes für einen Gerätetyp herstellerübergreifend getestet, also z.B. alle Codes für SAT Receiver unabhängig vom Hersteller.

F. Ich habe alle vorhandenen Codes für die Marke meines AV-Gerätes aus der Codeliste ausprobiert, aber keiner der genannten Codes funktioniert.

A. Verwenden Sie in diesem Fall die manuelle Codesuche (Kapitel 5.2) oder die automatische Codesuche (Kapitel 5.3). Beim Codesuchlauf werden alle Codes für einen Gerätetyp herstellerübergreifend getestet, also z.B. alle Codes für SAT Receiver unabhängig vom Hersteller.

9. Haftungsausschluss

Die Hama GmbH & Co KG übernimmt keinerlei Haftung oder Gewährleistung für Schäden, die aus unsachgemäßem Installation, Montage und unsachgemäßem Gebrauch des Produktes oder einer Nichtbeachtung der Bedienungsanleitung und/oder der Sicherheitshinweise resultieren.

F Mode d'emploi

Télécommande universelle

Nous vous remercions d'avoir acheté un produit Hama. Veuillez prendre le temps de lire l'ensemble des instructions et des informations suivantes. Veuillez conserver ce manuel dans un endroit sûr pour pouvoir vous y référer ultérieurement.

Touches de fonction (modèles 4 en 1, 8 en 1)

1. Mise en sourdine
2. Touches de sélection de l'appareil
3. Texte EIN : activer le télétexte
4. Conserver : conserver la page de télétexte actuelle
5. ◀◀ Retour/rouge
 - ▶ Lecture/jaune
 - ▶▶ Avance rapide/bleu
 - Démarrer l'enregistrement
 - Arrêt/vert
 - || Pause/magenta
6. Touche Shift
7. Menu : ouvrir le menu de l'appareil
8. Touche Mode pour sélectionner le groupe d'appareils secondaires (modèle 8 en 1 uniquement : AUX, DVBT, CBL, AMP)
9. Vol+/Vol- : réglage du volume
10. Paramétrage : réglage de la télécommande
11. Touches numériques 0-9
12. Smart TV : ouvrir le menu Smart TV (si l'appareil le permet)
Shift+Smart TV : sélectionner la source AV externe
13. APPS : ouvrir le menu Applications (si l'appareil le permet)
Shift+APPS : pour accéder à des numéros de chaînes à deux chiffres
14. PROG+/PROG- : sélection du programme, haut/bas
15. EXIT : quitter le menu de l'appareil
16. OK : confirmer votre choix
17. EPG : guide électronique des programmes (si l'appareil audiovisuel sélectionné le permet)
18. Info : informations à l'écran (si l'appareil audiovisuel le permet)
19. Texte AUS : quitter le télétexte
20. Mise sous tension : EIN/AUS/LED

1. Explication des symboles d'avertissement et des remarques

Avertissement



Ce symbole est utilisé pour indiquer des consignes de sécurité ou pour attirer votre attention sur des dangers et risques particuliers.

Remarque



Ce symbole est utilisé pour indiquer des informations supplémentaires ou des remarques importantes.

2. Lieferumfang

- Télécommande universelle
- Liste des codes
- Le présent mode d'emploi
- 2 piles AAA

3. Consignes de sécurité

- Veuillez ne pas utiliser la télécommande universelle dans des environnements humides et évitez tout contact avec des éclaboussures d'eau.
- Conservez la télécommande universelle à l'écart de toute source de chaleur et ne l'exposez pas à la lumière directe du soleil.
- La télécommande universelle comme tout appareil électrique doit être gardée hors de portée des enfants.
- Ce produit est destiné à un usage domestique non commercial.
- L'emploi du produit est exclusivement réservé à sa fonction prévue.
- Protégez le produit de toute saleté, humidité, surchauffe et utilisez-le uniquement dans des locaux secs.
- N'utilisez pas le produit dans des zones où les produits électroniques ne sont pas autorisés.
- Protégez le produit des secousses violentes et évitez tout choc ou toute chute.
- N'apportez aucune modification au produit. Des modifications vous feraient perdre vos droits de garantie.
- Tenez les emballages d'appareils hors de portée des enfants, risque d'étouffement.
- Recyclez les matériaux d'emballage conformément aux prescriptions locales en vigueur.

- N'utilisez pas le produit en dehors des limites de puissance indiquées dans les caractéristiques techniques.
- Ne tentez pas d'ouvrir le produit en cas de détérioration et cessez de l'utiliser.
- Ne tentez pas de réparer le produit vous-même ni d'effectuer des travaux d'entretien. Déléguez tous travaux d'entretien à des techniciens qualifiés.
- Utilisez l'article dans des conditions climatiques modérées uniquement.

Avertissement - Piles



- Beachten Sie unbedingt die korrekte Polarität (Beschriftung + und -) der Batterien und legen Sie diese entsprechend ein. Bei Nichtbeachtung besteht die Gefahr des Auslaufens oder einer Explosion der Batterien.
- Verwenden Sie ausschließlich Batterien, die dem angegebenen Typ entsprechen. Heben Sie Hinweise für die richtige Batteriewahl, die in der Bedienungsanleitung von Geräten stehen, zum späteren Nachschlagen auf.
- Reinigen Sie vor dem Einlegen der Batterien die Batteriekontakte und die Gegenkontakte.
- Gestatten Sie Kindern nicht ohne Aufsicht das Wechseln von Batterien.
- Wechseln Sie alle Batterien eines Satzes gleichzeitig.
- Mischen Sie alte und neue Batterien nicht, sowie Batterien unterschiedlichen Typs oder Herstellers.
- Entfernen Sie Batterien aus Produkten, die längere Zeit nicht benutzt werden (außer diese werden für einen Notfall bereit gehalten).
- Schließen Sie die Batterien nicht kurz.
- Laden Sie Batterien nicht.
- Werfen Sie Batterien nicht ins Feuer und erwärmen Sie sie nicht.
- Batterien nie öffnen, beschädigen, verschlucken oder in die Umwelt gelangen lassen. Sie können giftige und umweltschädliche Schwermetalle enthalten.
- Entfernen und entsorgen Sie verbrauchte Batterien unverzüglich aus dem Produkt.
- Vermeiden Sie Lagerung, Laden und Benutzung bei extremen Temperaturen und extrem niedrigem Luftdruck (wie z.B. in großen Höhen).
- Achten Sie darauf, dass Batterien mit beschädigtem Gehäuse nicht mit Wasser in Berührung kommen.
- Bewahren Sie Batterien außerhalb der Reichweite von Kindern auf.



4. Première étape - Mise en place des piles

Remarque



- Des piles alcalines sont recommandées. Utilisez deux piles de type "AAA" (LR 03/Micro).
- Retirez le couvercle des piles situé à l'arrière de la télécommande universelle (A).
- Insérez les piles en respectant les marques "+/-" pour la polarité (B).
- Fermez le compartiment des piles (C).

Remarque : Mémoire des codes



- Lorsque vous remplacez les piles, tous les codes que vous avez programmés restent mémorisés au maximum pendant 10 minutes. Veillez à n'appuyer sur aucune touche jusqu'à ce que les nouvelles piles soient mises en place dans la télécommande. Si vous appuyez sur une touche et qu'aucune pile ne se trouve dans la télécommande, tous les codes seront alors supprimés.

Remarque : Fonction d'économie d'énergie



- La télécommande s'éteint automatiquement dès qu'une touche est maintenue enfoncée pendant plus de 15 secondes. Cela permet de prolonger la durée de vie des piles si jamais la télécommande se retrouvait coincée dans un endroit où les touches pouvaient rester enfoncées de manière durable, par ex. entre les coussins du canapé.

5. Paramétrage

Remarque



- Pour obtenir une transmission infrarouge correcte, tenez toujours la télécommande en direction de l'appareil que vous souhaitez faire fonctionner.
- Appuyez sur la touche "MODE" pour sélectionner le groupe d'appareils secondaires : AUX, AMP, DVB-T, CBL (uniquement pour le modèle 8 en 1).
- Appuyez sur la touche "SHIFT" pour contrôler les touches de fonctions bleues. La fonction SHIFT est désactivée en appuyant de nouveau sur la touche "SHIFT" ou de manière automatique si vous n'appuyez sur aucune touche pendant 30 secondes.
- Si dans les 30 secondes, vous n'effectuez aucune saisie, le mode SETUP (Paramétrage) se termine automatiquement. La LED clignote six fois puis s'éteint.
- Chaque type d'appareil peut être programmé sous n'importe quelle touche de l'appareil, par exemple un téléviseur peut être programmé sous DVD, AUX, etc.

Remarque



- Vous ne pouvez utiliser aucun appareil avec la télécommande universelle si elle se trouve en mode Setup (Paramétrage). Quittez le mode Setup (Paramétrage) et sélectionnez l'appareil que vous souhaitez utiliser à l'aide des touches de sélection de l'appareil.
- Veuillez noter que la télécommande émet des signaux infrarouges. Ceux-ci ne sont pas visibles à l'œil humain.

5.1 Saisie directe des codes

Avec la télécommande universelle, vous trouverez une liste de codes. La liste de codes contient des codes à cinq chiffres permettant de paramétrer la télécommande pour la plupart des fabricants d'équipements audiovisuels. Pour une identification plus aisée, les codes sont d'abord classés par type d'appareil (TV, DVD, etc.), puis dans le type d'appareil, par ordre alphabétique de marque.

Le code QR suivant vous permet de créer une liste des codes disponibles pour la marque de votre appareil.



<https://support.hama.com/codefinder>

- 5.1.1 Allumez l'appareil que vous souhaitez utiliser.
- 5.1.2 Appuyez sur la touche "SETUP" jusqu'à ce que la LED reste fixe.
- 5.1.3 Sélectionnez, à l'aide de la touche, l'appareil que vous souhaitez utiliser (par ex. TV). Si la sélection est réussie, la LED clignote une fois puis reste fixe.
- 5.1.4 Dans la liste des codes, recherchez l'appareil à utiliser par marque et par type.
- 5.1.5 Saisissez le code correspondant à cinq chiffres à l'aide des touches numériques de 0 à 9. La LED confirme la saisie des différents chiffres par un bref clignotement et s'éteint après le cinquième chiffre.
- 5.1.6 Testez ensuite la télécommande et vérifiez si vous avez accès aux fonctions souhaitées. Il est possible que le premier code ne soit pas le plus adapté ou que toutes les fonctions ne soient pas disponibles. Dans ce cas, essayez le code indiqué pour le/la type/marque d'appareil sélectionné(e) dans la liste.

Remarque



- Un code valide est automatiquement mémorisé.
- Si le code n'est pas valide, la LED clignote six fois puis s'éteint. Répétez les étapes 5.1.1 à 5.1.5 ou utilisez une autre méthode pour saisir vos codes.

5.2 Recherche manuelle des codes

La commande universelle dispose d'une sauvegarde interne qui contient jusqu'à 350 codes par type d'appareils pour les appareils audiovisuels les plus courants. Vous pouvez faire défiler ces codes jusqu'à ce que l'appareil que vous souhaitez utiliser réponde. Par exemple, l'appareil que vous souhaitez utiliser s'éteint (touche "POWER") ou change de chaîne (touche "PROG+/PROG-").

- 5.2.1 Allumez l'appareil que vous souhaitez utiliser.
- 5.2.2 Appuyez sur la touche "SETUP" jusqu'à ce que la LED reste fixe.
- 5.2.3 Sélectionnez, à l'aide de la touche, l'appareil que vous souhaitez utiliser (par ex. TV). Si la sélection est réussie, la LED clignote une fois puis reste fixe.
- 5.2.4 Appuyez sur la touche "POWER" OU "PROG+/PROG-" pour faire défiler les codes prédéfinis jusqu'à ce que l'appareil que vous souhaitez utiliser réponde.
- 5.2.5 Appuyez sur la touche "OK" pour sauvegarder le code et quitter la recherche de codes. La LED s'éteint.
- 5.2.6 Testez ensuite la télécommande et vérifiez si vous avez accès aux fonctions souhaitées. Il est possible que le premier code trouvé ne soit pas le plus adapté ou que toutes les fonctions ne soient pas disponibles. Dans ce cas, répétez les étapes 5.2.1 – 5.2.5. La recherche de codes commence avec le code suivant qui est le dernier code mémorisé.

Remarque



Jusqu'à 350 codes d'appareils les plus courants peuvent être mémorisés dans la mémoire interne. En raison d'un grand nombre d'appareils audiovisuels disponibles sur le marché, il se peut que seules les fonctions principales les plus courantes soient disponibles. Si tel est le cas, renouvelez les étapes 5.2.1 à 5.2.5 pour trouver un code plus compatible. Pour certains modèles spécifiques d'appareils, il se peut qu'aucun code ne soit disponible.

5.3 Recherche de codes automatique

La recherche automatique de codes utilise les mêmes codes prédéfinis que la recherche de codes manuelle (5.2). La télécommande universelle recherche cependant les codes de manière automatique jusqu'à ce que l'appareil que vous souhaitez utiliser réponde. Par exemple, l'appareil que vous souhaitez utiliser s'éteint (touche "POWER") ou change de chaîne (touches "PROG+/PROG-").

- 5.3.1 Allumez l'appareil que vous souhaitez utiliser.
- 5.3.2 Appuyez sur la touche "SETUP" jusqu'à ce que la LED reste fixe.

5.3.3 Sélectionnez, à l'aide de la touche, l'appareil que vous souhaitez utiliser (par ex. TV). Si la sélection est réussie, la LED clignote une fois puis reste fixe.

5.3.4 Appuyez sur la touche "PROG+/PROG-" ou "POWER" pour débiter la recherche de codes automatique. La LED clignote une fois puis reste fixe. Il faut 6 secondes avant que la télécommande universelle ne puisse commencer la première recherche.

Remarque :

Réglage de la vitesse de recherche

Le réglage standard du temps de recherche par code est d'une seconde. Si cela ne vous convient pas, vous pouvez passer à un temps de recherche de 3 secondes par code. Pour modifier le temps de recherche, appuyez sur "PROG+" ou "PROG" durant 6 secondes avant le début de la recherche de codes automatique.

5.3.5 La LED confirme les recherches de codes respectives en clignotant une fois.

5.3.6 Dès que l'appareil que vous souhaitez utiliser répond, appuyez sur la touche "OK" pour mémoriser le code et quitter la recherche de codes. La LED s'éteint.

5.3.7 Testez ensuite la télécommande et vérifiez si vous avez accès aux fonctions souhaitées. Il est possible que le premier code trouvé ne soit pas le plus adapté ou que toutes les fonctions ne soient pas disponibles. Dans ce cas, répétez les étapes 5.3.1. – 5.3.6.

La recherche de codes commence avec le code suivant qui est le dernier code mémorisé.

5.3.8 Pour interrompre la recherche automatique durant le processus de recherche, appuyez sur la touche "EXIT".

Remarque

Si tous les codes ont été recherchés sans succès, la télécommande universelle quitte la recherche automatique de codes et revient automatiquement au mode de fonctionnement. Le code actuellement mémorisé reste inchangé.

5.4 Reconnaissance des codes

La reconnaissance des codes vous permet de déterminer un code déjà mémorisé.

5.4.1 Appuyez sur la touche "SETUP" jusqu'à ce que la LED reste fixe.

5.4.2 Sélectionnez, à l'aide de la touche, l'appareil que vous souhaitez utiliser (par ex. TV). Si la sélection est réussie, la LED clignote une fois puis reste fixe.

5.4.3 Appuyez sur la touche "SETUP". La LED clignote une fois puis reste fixe.

5.4.4 Pour rechercher le premier chiffre, appuyez sur l'une des touches numérotées de 0 à 9. La LED clignote une fois pour le premier chiffre du numéro de code à cinq chiffres.

5.4.5 Répétez l'étape 5.4.4 pour le second, troisième et quatrième et cinquième chiffre.

5.4.6 Puis, vous pouvez saisir dans le tableau ci-dessous le code déterminé si jamais vous en avez à nouveau besoin ultérieurement (par exemple si jamais vous supprimez accidentellement les réglages de la télécommande).

CODES			
TV	SOUND	STB	DVD
AUX	AMP	CBL	DVBT

6. Fonctions spéciales

6.1 Punch-Through des chaînes

Avec la fonction Punch-Through des chaînes, les commandes PROG+ ou PROG- peuvent ignorer l'appareil actuellement commandé et changer les chaînes d'un second appareil. Toutes les autres commandes ne sont pas concernées.

Pour activer la fonction Punch-Through des chaînes :

- appuyez sur la touche de l'appareil souhaitée (par ex. TV).
- Maintenez enfoncée la touche "PROG+".
- appuyez sur la touche de l'appareil souhaitée (par ex. SAT).
- Relâchez la touche "PROG+" (la LED clignote une fois lorsque le réglage est activé).

Pour désactiver la fonction Punch-Through des chaînes :

- appuyez sur la touche de l'appareil souhaitée (par ex. TV).
- Maintenez enfoncée la touche "PROG-".
- appuyez sur la touche de l'appareil souhaitée (par ex. SAT).
- Relâchez la touche "PROG-" (la LED clignote deux fois, une fois le réglage désactivé).

6.2 Punch-Through du volume sonore

Avec la fonction Punch-Through du volume sonore, les commandes VOL + ou VOL- peuvent ignorer l'appareil actuellement commandé et modifier le volume sonore d'un second appareil. Toutes les autres commandes ne sont pas concernées.

Pour activer la fonction Punch-Through du volume sonore :

- appuyez sur la touche de l'appareil souhaitée (par ex. TV).
- Maintenez enfoncée la touche "VOL+".
- appuyez sur la touche de l'appareil souhaitée (par ex. SAT).
- Relâchez la touche "VOL+" (la LED clignote une fois lorsque le réglage est activé).

Pour désactiver la fonction Punch-Through des chaînes :

- appuyez sur la touche de l'appareil souhaitée (par ex. TV).
- Maintenez enfoncée la touche "VOL-".
- appuyez sur la touche de l'appareil souhaitée (par ex. SAT).
- Relâchez la touche "VOL-" (la LED clignote deux fois, une fois le réglage désactivé).

6.3 Macro Power

Avec Macro Power, vous pouvez allumer/éteindre deux appareils audiovisuels simultanément.

Pour activer la fonction Macro Power :

- appuyez sur la touche de l'appareil souhaitée (par ex. TV).
- Maintenez enfoncée la touche "POWER".
- appuyez sur la touche de l'appareil souhaitée (par ex. SAT).
- Relâchez la touche "POWER" (la LED clignote une fois lorsque le réglage est activé).

Pour désactiver la fonction Macro Power :

- appuyez sur la touche de l'appareil souhaitée (par ex. TV).
- Maintenez enfoncée la touche "POWER".
- appuyez sur la touche de l'appareil souhaitée (par ex. SAT).
- Relâchez la touche "POWER" (la LED clignote deux fois, une fois le réglage désactivé).

7. Entretien

- Pour votre télécommande universelle, n'utilisez jamais à la fois d'anciennes et de nouvelles piles. En effet, les anciennes piles ont tendance à couler et peuvent entraîner une perte des performances.
- Ne nettoyez pas la télécommande universelle avec des produits abrasifs ou des détergents puissants.
- Protégez la télécommande universelle de la poussière en la nettoyant avec un chiffon doux et sec.

8. Dépannage

Q. Ma télécommande universelle ne fonctionne pas !

R. Vérifiez l'appareil audiovisuel. Si l'interrupteur principal de l'appareil est éteint, la télécommande universelle ne peut pas faire fonctionner l'appareil.

R. Vérifiez que les piles sont correctement mises en places et que la polarité a été respectée.

R. Vérifiez que vous avez appuyé sur la touche appropriée pour l'appareil.

R. Remplacez les piles si elles sont faibles.

Q. Si plusieurs codes d'appareil sont répertoriés pour la marque de mon appareil audiovisuel, comment puis-je sélectionner le bon code d'appareil ?

R. Pour déterminer le bon code pour l'appareil audiovisuel, essayez les codes les uns après les autres jusqu'à ce que la plupart des touches fonctionnent correctement.

Q. Mon appareil audiovisuel ne répond à aucune touche.

R. Essayez avec un autre code jusqu'à ce que la plupart des touches fonctionnent correctement.

Q. La marque de mon appareil audiovisuel n'est pas mentionnée dans la liste de codes.

R. Dans ce cas, effectuez une recherche de code manuelle (chapitre 5.2) ou automatique (chapitre 5.3). Pour la recherche de codes, tous les codes pour un type d'appareil sont testés chez tous les fabricants, par exemple tous les codes pour les récepteurs SAT, quel que soit le fabricant.

Q. J'ai essayé tous les codes disponibles de la liste correspondant à la marque de mon appareil audiovisuel, mais aucun code y figurant ne fonctionne.

R. Dans ce cas, effectuez une recherche de code manuelle (chapitre 5.2) ou automatique (chapitre 5.3). Pour la recherche de codes, tous les codes pour un type d'appareil sont testés chez tous les fabricants, par exemple tous les codes pour les récepteurs SAT, quel que soit le fabricant.

9. Exclusion de garantie

La société Hama GmbH & Co KG décline toute responsabilité en cas de dommages provoqués par une installation, un montage ou une utilisation non conformes du produit ou encore provoqués par le non-respect des consignes du mode d'emploi et/ou des consignes de sécurité.

E Instrucciones de uso

Mando a distancia universal

Gracias por haber elegido comprar un producto Hama. Dedique un momento a leer completamente las siguientes instrucciones e información. Guarde este manual en un lugar seguro para futuras consultas.

Botones de función (Modelos 4 in 1, 8 in 1)

1. Silencio
2. Botones para la selección de dispositivos
3. Teletexto ON: Iniciar teletexto
4. Mantener: Mantener la página de teletexto actual
5. ◀◀ Retroceder/rojo
 - ▶ Reproducir/amarillo
 - ▶▶ Avance rápido/azul
 - Iniciar grabación
 - Parar/verde
 - || Pausar/magenta
6. Botón Shift
7. Menú: Abrir el menú del dispositivo
8. Modo para seleccionar el grupo de dispositivos secundarios (solo el modelo 8 in 1: AUX,DVBT,CBL,AMP)
9. Vol+/Vol-: Control de volumen
10. Configuración: Ajustes del mando a distancia
11. Botones numéricos 0-9
12. Smart TV: Abrir el menú de Smart TV (si es compatible con el dispositivo final)
 - Shift+Smart TV: Seleccionar fuente AV externa
13. APPS: Abrir el menú de la aplicación (si es compatible con el dispositivo final)
 - Shift+APPS : Cambiar a números de canal de dos dígitos
14. PROG+/PROG-: Selección de programa, arriba/abajo
15. EXIT: Salir del menú del dispositivo
16. OK: Confirmar selección
17. EPG: Guía electrónica de programas (si es compatible con el dispositivo AV seleccionado)
18. Info: Información en pantalla (si es compatible con el dispositivo AV)
19. Teletexto OFF: Salir del teletexto
20. Power: Encender/apagar/LED

1. Explicación de los símbolos de aviso y de las indicaciones

Aviso



Se utiliza para identificar indicaciones de seguridad o para llamar la atención sobre peligros y riesgos especiales.

Nota



Se utiliza para indicar información adicional o indicaciones importantes.

2. Volumen de suministro

- Mando a distancia universal
- Lista de códigos
- Este manual de instrucciones
- 2x pilas AAA

3. Indicaciones de seguridad

- No utilice el mando a distancia universal en ambientes húmedos y evite el contacto con salpicaduras de agua.
- Mantenga el mando a distancia universal alejado de fuentes de calor y no lo exponga a la luz solar directa.
- Como todos los aparatos eléctricos, el mando a distancia universal no debe dejarse en manos de niños.
- El producto está destinado al uso privado, no comercial.
- Utilice el producto exclusivamente para el fin previsto.
- Proteja el producto de la suciedad, la humedad y el sobrecalentamiento y utilícelo solo en espacios secos.
- No utilice el producto en áreas donde no se permitan aparatos electrónicos.
- No deje caer el producto ni lo someta a sacudidas fuertes.
- No realice cambios en el producto. Esto conllevaría la pérdida de todos los derechos de la garantía.
- Mantenga el material de embalaje fuera del alcance de los niños, ya que existe peligro de asfixia.
- Deseche el material de embalaje de conformidad con las normativas locales vigentes en materia de eliminación de desechos.
- No utilice el producto fuera de los límites de potencia indicados en los datos técnicos.
- No abra el producto ni siga utilizándolo en caso de presentar daños.
- No intente mantener ni reparar el producto por cuenta propia. Encomiende cualquier trabajo de mantenimiento al personal especializado competente.
- Use el artículo únicamente cuando las condiciones climáticas sean moderadas.

Advertencia sobre las pilas



- Asegúrese siempre de que la polaridad de las pilas sea correcta (inscripciones + y -) y colóquelas según corresponda. La no observación de lo anterior conlleva el riesgo de derrame o explosión de las pilas.
- Utilice exclusivamente pilas del tipo especificado. Guarde anotaciones sobre la selección correcta de las pilas en las instrucciones de uso del aparato para futuras consultas.
- Antes de colocar las pilas, limpie los contactos y los contracontactos de las mismas.
- No permita a los niños cambiar las pilas sin la supervisión de una persona adulta.
- Cambie todas las pilas de un juego al mismo tiempo.
- No mezcle pilas viejas y nuevas ni tampoco pilas de tipos o fabricantes diferentes.
- Retire las pilas de aquellos productos que no vayan a usarse durante un tiempo prolongado (a no ser que estos deban permanecer operativos para casos de emergencia).
- No cortocircuite las pilas.
- No cargue las pilas.
- No arroje las pilas al fuego ni las caliente.
- Nunca abra, dañe ni ingiera pilas ni tampoco las deseche en el medio ambiente. Pueden contener metales pesados tóxicos y dañinos para el medio ambiente.
- Retire y deseche de inmediato las pilas gastadas del producto.
- Evite almacenar, cargar o usar las pilas en condiciones de temperatura extrema o de presión atmosférica extremadamente baja como, por ejemplo, a grandes alturas.
- Asegúrese de que las pilas con carcasas dañadas no entren en contacto con el agua.
- Mantenga las pilas fuera del alcance de los niños.



4. Primeros pasos - Colocación de las pilas

Nota



- Se recomienda utilizar pilas alcalinas. Use dos pilas de tipo "AAA". (LR 03/Micro).
- Retire la tapa de las pilas en la parte posterior del mando a distancia universal (A).
- Inserte las pilas respetando las marcas de polaridad "+/-" (B).
- Cierre el compartimento de las pilas (C).

Nota: Memoria de códigos:



Al cambiar las pilas, todos los códigos programados permanecerán almacenados hasta 10 minutos. Tenga cuidado de no pulsar ningún botón hasta haber instalado las nuevas pilas en el mando a distancia. Si pulsa un botón y el mando a distancia no tiene pilas, se borrarán todos los códigos.

Nota: Función de ahorro de energía



- El mando a distancia se apaga automáticamente si se pulsa un botón durante más de 15 segundos. Esto prolongará la vida útil de las pilas si el mando a distancia está atascado en un lugar donde los botones estén continuamente pulsados, por ejemplo, entre los cojines del sofá.

5. Configuración

Nota



- Para una correcta transmisión por infrarrojos, mantenga siempre el mando a distancia en la dirección aproximada del dispositivo.
- Pulse el botón "MODE" para seleccionar el grupo de dispositivos secundarios: AUX, AMP/DVB-T, CBL (solo en el modelo 8in1).
- Pulse el botón "SHIFT" para el control de los botones de función azules. La función de conmutación se desactiva pulsando de nuevo el botón "SHIFT" o, si no se pulsa ningún botón, automáticamente después de 30 segundos.
- Si no se realizan ajustes en 30 segundos, el modo SETUP finaliza automáticamente. El LED parpadea seis veces y luego se apaga.
- Los diferentes dispositivos pueden programarse para el uso de cualquier botón, por ejemplo, un televisor puede ser programado usando DVD, AUX, etc.
- Dentro del modo de configuración, no se puede manejar ningún dispositivo con el mando a distancia. Salga del modo de configuración y seleccione el dispositivo que desea controlar utilizando los botones de selección de dispositivos.
- Tenga en cuenta que el mando a distancia emite señales infrarrojas. Estas no son visibles para el ojo humano.

5.1 Introducción directa del código

Con el mando a distancia universal se incluye una lista de códigos. La lista de códigos contiene códigos de cinco dígitos para ajustar el mando a distancia a la mayoría de los fabricantes de dispositivos AV.

Para facilitar la orientación, los códigos están ordenados primero según el tipo de aparato (TV, DVD, etc.) y luego alfabéticamente por marca dentro de cada clase.

Con el siguiente código QR puede crear una lista de los códigos disponibles para la marca de su dispositivo.



<https://support.hama.com/codefinder>

- 5.1.1 Encienda el dispositivo que desea controlar.
- 5.1.2 Pulse el botón "SETUP" hasta que el LED se ilumine de forma continua.
- 5.1.3 Con el botón del dispositivo, seleccione el dispositivo que desea manejar (por ejemplo, la TV). Si la selección es correcta, el LED parpadea una vez y luego se enciende permanentemente.
- 5.1.4 Busque en la lista de códigos la marca y el tipo de dispositivo que va a utilizar.
- 5.1.5 Introduzca el código de cinco dígitos correspondiente mediante los botones numéricos 0-9. El LED confirma la introducción de cada cifra con un breve parpadeo y se apaga después de la quinta cifra.
- 5.1.6 A continuación, pruebe el mando a distancia y compruebe si se pueden controlar las funciones deseadas. Es posible que el primer código no sea el más adecuado, o que no estén disponibles todas las funciones. En este caso, pruebe el siguiente código de la lista para el tipo/marca de dispositivo seleccionado.

Nota

- Los códigos válidos se guardan automáticamente.
- Si el código no es válido, el LED parpadea seis veces y luego se apaga. Repita los pasos 5.1.1 a 5.1.5, o utilice otro método de introducción de códigos.

5.2 Búsqueda manual de códigos

El mando a distancia universal tiene una memoria interna que contiene hasta 350 códigos por categoría para los dispositivos audiovisuales más comunes. Puede ir probando códigos hasta que el dispositivo que está tratando de controlar responda. Por ejemplo, apagando el aparato que desea manejar (botón "POWER") o cambiando de canal (botón "PROG+/PROG-").

- 5.2.1 Encienda el dispositivo que desea controlar.
- 5.2.2 Pulse el botón "SETUP" hasta que el LED se ilumine de forma continua.
- 5.2.3 Con el botón del dispositivo, seleccione el dispositivo que desea manejar (por ejemplo, la TV). Si la selección es correcta, el LED parpadea una vez y luego se enciende permanentemente.

- 5.2.4 Pulse el botón "POWER" o "PROG+/PROG-" para desplazarse por los códigos preestablecidos hasta que el dispositivo que desea manejar responda.
- 5.2.5 Pulse "OK" para guardar el código y salir de la búsqueda de códigos. El LED se apaga.
- 5.2.6 A continuación, pruebe el mando a distancia y compruebe si se pueden controlar las funciones deseadas. Es posible que el primer código encontrado no sea el más adecuado, o que no estén disponibles todas las funciones. En este caso, repita los pasos 5.2.1.–5.2.5. La búsqueda de códigos comienza con el código siguiente al último almacenado.

Nota

La memoria interna puede almacenar un máximo de 350 códigos de los dispositivos más comunes. Dado que en el mercado existen numerosos dispositivos audiovisuales, es posible que solo estén disponibles las funciones principales más comunes. Si este es el caso, repita los pasos 5.2.1 a 5.2.5 para encontrar un código más compatible. Para algunos modelos específicos, es posible que no exista un código disponible.

5.3 Búsqueda automática de códigos

La búsqueda automática de códigos utiliza los mismos códigos preestablecidos que la búsqueda manual (5.2). Sin embargo, el mando a distancia universal busca los códigos de forma automática hasta que el dispositivo responde. Por ejemplo, apagando el aparato que desea manejar (botón "POWER") o cambiando de canal (botón "PROG+/PROG-").

- 5.3.1 Encienda el dispositivo que desea controlar.
- 5.3.2 Pulse el botón "SETUP" hasta que el LED se ilumine de forma continua.
- 5.3.3 Con el botón del dispositivo, seleccione el dispositivo que desea manejar (por ejemplo, la TV). Si la selección es correcta, el LED parpadea una vez y luego se enciende permanentemente.
- 5.3.4 Pulse el botón "PROG+/PROG-" o "POWER" para iniciar la búsqueda automática de códigos. El LED parpadea una vez y luego se enciende continuamente. El mando a distancia universal tarda 6 segundos en iniciar la primera búsqueda.

Nota:**Ajuste de la velocidad de búsqueda**

La configuración por defecto del tiempo de búsqueda por cada código es de 1 segundo. Si lo necesita, puede cambiar a un tiempo de búsqueda de 3 segundos por código. Para cambiar entre los tiempos de búsqueda, pulse "PROG+" o "PROG-" en los 6 segundos previos al inicio de la búsqueda automática de códigos.

El LED confirma cada búsqueda de códigos parpadeando una vez.

5.3.5 En cuanto el dispositivo responda, pulse el botón "OK" para guardar el código y salir de la búsqueda de códigos. El LED se apaga.

5.3.6 A continuación, pruebe el mando a distancia y compruebe si se pueden controlar las funciones deseadas. Es posible que el primer código encontrado no sea el más adecuado, o que no estén disponibles todas las funciones. En este caso, repita los pasos 5.3.1. – 5.3.6. La búsqueda de códigos comienza con el código siguiente al último almacenado.

5.3.7 Para cancelar la búsqueda automática durante el proceso de búsqueda, pulse el botón "EXIT".

Nota

Si se ha buscado por todos los códigos sin éxito, el mando a distancia universal sale de la búsqueda automática de códigos y vuelve automáticamente al modo de funcionamiento habitual. El código almacenado actualmente no se modifica.

5.4 Reconocimiento de códigos

La función de reconocimiento de códigos le permite identificar un código ya almacenado.

5.4.1 Pulse el botón "SETUP" hasta que el LED se ilumine de forma continua.

5.4.2 Con el botón del dispositivo, seleccione el dispositivo que desea manejar (por ejemplo, la TV). Si la selección es correcta, el LED parpadea una vez y luego se enciende permanentemente.

5.4.3 Pulse el botón "SETUP". El LED parpadea una vez y luego se enciende continuamente.

5.4.4 Pulse uno de los botones numéricos del 0 al 9 para buscar la primera cifra. El LED parpadea una vez para el primer dígito del código de cinco dígitos.

5.4.5 Repita el paso 5.4.4 para la segunda, tercera, cuarta y quinta cifra respectivamente.

5.4.6 A continuación, puede introducir el código en la tabla siguiente si lo necesita más adelante (por ejemplo, tras haber borrado accidentalmente los ajustes del mando a distancia).

CÓDIGOS			
TV	SONIDO	STB	DVD
AUX	AMP	CBL	DVBT

6. Funciones especiales**6.1 Conexión punch-through de canales**

Con la función de conexión directa punch-through, los botones PROG+ o PROG- le permiten cambiar los canales de un segundo dispositivo momentáneamente anulando el dispositivo que se controla en ese momento. Los demás botones no se ven afectados.

Para activar la conexión punch-through de canales:

- Pulse el botón del dispositivo deseado (por ejemplo, TV).
- Mantenga pulsado el botón "PROG+".
- Pulse el botón del dispositivo deseado (por ejemplo, SAT).
- Suelte de nuevo el botón "PROG+" (el LED parpadea una vez cuando se activa el ajuste).

Para desactivar la conexión punch-through de canales:

- Pulse el botón del dispositivo deseado (por ejemplo, TV).
- Mantenga pulsado el botón "PROG-".
- Pulse el botón del dispositivo deseado (por ejemplo, SAT).
- Suelte de nuevo el botón "PROG-" (el LED parpadea dos veces cuando se desactiva el ajuste).

6.2 Control punch-through del volumen

Con la función de control punch-through del volumen, los botones VOL+ o VOL- pueden anular momentáneamente el dispositivo actual y ajustar el volumen de un segundo dispositivo. Los demás botones no se ven afectados.

Para activar el control punch-through del volumen:

- Pulse el botón del dispositivo deseado (por ejemplo, TV).
- Mantenga pulsado el botón "VOL+".
- Pulse el botón del dispositivo deseado (por ejemplo, SAT).
- Suelte de nuevo el botón "VOL+" (el LED parpadea una vez cuando se activa el ajuste).

Para desactivar la conexión punch-through de canales:

- Pulse el botón del dispositivo deseado (por ejemplo, TV).

-
- Mantenga pulsado el botón "VOL-".
 - Pulse el botón del dispositivo deseado (por ejemplo, SAT).
 - Suelte de nuevo el botón "VOL-" (el LED parpadea dos veces cuando se desactiva el ajuste).

6.3 Macro Power:

La función Macro Power permite encender y apagar dos dispositivos audiovisuales simultáneamente.

Para activar la función Macro Power:

- Pulse el botón del dispositivo deseado (por ejemplo, TV).
- Mantenga pulsado el botón "POWER".
- Pulse el botón del dispositivo deseado (por ejemplo, SAT).
- Suelte de nuevo la tecla "POWER" (el LED parpadea una vez cuando se activa el ajuste).

Para desactivar la función Macro Power:

- Pulse el botón del dispositivo deseado (por ejemplo, TV).
- Mantenga pulsado el botón "POWER".
- Pulse el botón del dispositivo deseado (por ejemplo, SAT).
- Suelte de nuevo el botón "POWER" (el LED parpadea dos veces cuando se desactiva el ajuste)

7. Mantenimiento

- No utilice nunca simultáneamente pilas viejas y nuevas en el mando a distancia, ya que las pilas viejas tienden a tener fugas y pueden provocar una merma de rendimiento.
- No limpie el mando a distancia con limpiadores abrasivos o detergentes fuertes.
- Mantenga el mando a distancia libre de polvo limpiándolo con un paño suave y seco.

8. Solución de errores

F. El mando no funciona.

A. Compruebe el dispositivo AV. Cuando el interruptor principal del dispositivo está apagado, el mando a distancia no puede hacer funcionar la unidad.

A. Compruebe que las pilas están colocadas correctamente y que se ha respetado la polaridad.

A. Compruebe que ha pulsado el botón del dispositivo correspondiente.

A. Sustituya las pilas cuando tengan bajo nivel de carga.

F. Si hay varios códigos de dispositivo listados para la marca de mi dispositivo AV, ¿cómo puedo seleccionar el código correcto?

A. Para determinar el código correcto del dispositivo AV, pruebe los códigos uno a uno hasta que la mayoría de los botones funcionen correctamente.

F. Mi dispositivo AV solo responde a algunos botones.

A. Pruebe otros códigos hasta que la mayoría de los botones funcionen correctamente.

F. La marca de mi dispositivo AV no aparece en la lista de códigos.

A. En este caso, utilice la búsqueda manual de códigos (capítulo 5.2) o la búsqueda automática (capítulo 5.3).

Durante la búsqueda, se comprueban todos los códigos de cada tipo de dispositivo para todos los fabricantes, por ejemplo, todos los códigos de los receptores SAT independientemente del fabricante.

F. He probado todos los códigos disponibles para la marca de mi dispositivo AV de la lista, pero ninguno funciona.

A. En este caso, utilice la búsqueda manual de códigos (capítulo 5.2) o la búsqueda automática (capítulo 5.3).

Durante la búsqueda, se comprueban todos los códigos de cada tipo de dispositivo para todos los fabricantes, por ejemplo, todos los códigos de los receptores SAT independientemente del fabricante.

9. Exclusión de responsabilidad

La empresa Hama GmbH & Co KG no se responsabiliza ni concede garantía alguna por los daños que se deriven de una instalación, montaje o manejo incorrectos del producto o por la inobservancia de las instrucciones de uso o de las indicaciones de seguridad.

Universele afstandsbediening

Bedankt voor het aanschaffen van een product van Hama. Neem de tijd om de volgende aanwijzingen en informatie volledig door te lezen. Bewaar deze gebruiksaanwijzing op een veilige plaats voor toekomstig gebruik.

Functieknoppen (modellen 4 in 1, 8 in 1)

1. Mute-schakelaar
2. Knoppen voor apparaatselectie
3. Tekst AAN: Teletekst inschakelen
4. Vasthouden: Huidige teletekstpagina vasthouden
5. ◀◀ Achteruit/rood
 - ▶ Weergave/geel
 - ▶▶ Snel vooruit/blauw
 - Opname starten
 - Stop/groen
 - || Pauze/magenta
6. Shift-knop
7. Menu: Apparaatmenu openen
8. Modusknop voor het selecteren van de secundaire apparaatgroep (alleen model 8 in 1: AUX,DVBT,CBL,AMP)
9. Vol+/Vol-: Volumeregeling
10. Setup: Instellingen voor afstandsbediening
11. Cijferknoppen 0-9
12. Smart TV: Smart TV-menu openen (indien ondersteund door het apparaat)
Shift+Smart TV: externe AV-bron kiezen
13. APPS: App-menu openen (indien ondersteund door het apparaat)
Shift+APPS: Naar tweecijferige kanaalnummers overschakelen
14. PROG+/PROG-: Programmakeuze, omhoog/omlaag
15. EXIT: Apparaatmenu verlaten
16. OK: Selectie bevestigen
17. EPG: Elektronische programmagids (indien ondersteund door het geselecteerde AV-apparaat)
18. Info: On-screen-informatie (indien ondersteund door het AV-apparaat)
19. Tekst AAN: Teletekst verlaten
20. Power: AAN/UIT / LED

1. Verklaring van waarschuwingssymbolen en instructies**Waarschuwing**

Wordt gebruikt om veiligheidsinstructies te markeren of om op bijzondere gevaren en risico's te attenderen.

Aanwijzing

Wordt gebruikt om extra informatie of belangrijke aanwijzingen te markeren.

2. Levering

- Universele afstandsbediening
- Codelijst
- Deze gebruiksaanwijzing
- 2x AAA batterijen

3. Veiligheidsinstructies

- Gebruik de universele afstandsbediening niet in vochtige omgevingen en voorkom contact met opspattend water.
- Houd de universele afstandsbediening uit de buurt van warmtebronnen en stel hem niet aan direct zonlicht bloot.
- De universele afstandsbediening dient, zoals alle elektrische apparaten, buiten het bereik van kinderen te worden gehouden.
- Het product is bedoeld voor privé-, niet-zakelijk gebruik.
- Gebruik het product alleen voor het beoogde doel.
- Bescherm het product tegen vuil, vocht en oververhitting en gebruik het alleen in droge ruimtes.
- Gebruik het product niet op plaatsen waar elektronische producten niet zijn toegestaan.
- Laat het product niet vallen en stel het niet bloot aan zware schokken of stoten.
- Verander niets aan het product. Daardoor vervalt elke aanspraak op garantie.
- Het verpakkingsmateriaal mag absoluut niet in handen van kinderen komen in verband met verstikkingsgevaar.
- Voer het verpakkingsmateriaal direct en overeenkomstig de lokaal geldende afvoervoorschriften af.
- Gebruik het product niet buiten de in de technische gegevens vermelde vermogensgrenzen.
- Open het product niet en gebruik het niet meer bij beschadigingen.
- Probeer het product niet zelf te onderhouden of te repareren. Laat onderhouds- en reparatiewerkzaamheden door vakpersoneel uitvoeren.
- Gebruik het artikel alleen in gematigde klimatologische omstandigheden.

Waarschuwing - batterijen



- Let er altijd op dat u de batterijen met de polen in de juiste richting plaatst (opschrift + en -). Indien de batterijen verkeerd worden geplaatst kunnen deze gaan lekken of zelfs exploderen.
- Gebruik uitsluitend batterijen die met het vermelde type overeenstemmen. Bewaar de instructies voor de juiste batterijkeuze in de gebruiksaanwijzing van apparaten voor toekomstig gebruik.
- Reinig vóór het plaatsen van de batterijen de batterijcontacten en de contacten in het product.
- Laat kinderen nooit zonder toezicht batterijen vervangen.
- Vervang alle batterijen van een set tegelijkertijd.
- Gebruik geen oude en nieuwe batterijen tegelijkertijd of batterijen van een verschillende soort of fabricaat.
- Verwijder batterijen uit producten die gedurende langere tijd niet worden gebruikt (behoudens indien deze voor een noodgeval stand-by moeten blijven).
- Sluit de batterij niet kort.
- Laad de batterijen niet op.
- Werp de batterijen niet in vuur en verwarm ze niet.
- Batterijen nooit openen, beschadigen, inslikken of in het milieu terecht laten komen. Zij kunnen giftige en zware metalen bevatten die schadelijk zijn voor het milieu.
- Lege batterijen direct uit het product verwijderen en afvoeren.
- Vermijd opslag, opladen en gebruik bij extreme temperaturen en extreem lage luchtdruk (bijv. op grote hoogte).
- Zorg ervoor dat batterijen met een beschadigde behuizing niet in contact met water komen.
- Houd de batterijen buiten het bereik van kinderen.



4. Eerste stappen – De batterijen plaatsen

Aanwijzing



- Alkalinebatterijen worden aanbevolen. Gebruik twee batterijen van het type "AAA" (LR 03/Micro).
- Verwijder het deksel van het batterijvak aan de achterkant van de universele afstandsbediening (A).
- Plaats de batterijen en houd daarbij rekening met de "+/-" markeringen voor de polariteit (B).
- Sluit het batterijvak (C).

Aanwijzing: Codegeheugen



Als u de batterijen vervangt, worden alle codes die u hebt geprogrammeerd maximaal 10 minuten bewaard. Zorg ervoor dat u geen knoppen indrukt totdat de nieuwe batterijen in de afstandsbediening zijn geplaatst. Als u op een knop drukt terwijl er geen batterijen in de afstandsbediening zitten, dan worden alle codes gewist.

Aanwijzing: Energiebesparende functie



De afstandsbediening schakelt automatisch uit als een knop langer dan 15 seconden wordt ingedrukt. Dit verlengt de levensduur van de batterijen als de afstandsbediening vastzit op een plek waar de knoppen continu worden ingedrukt, bijvoorbeeld tussen de kussens van de bank.

5. Setup

Aanwijzing



- Richt de afstandsbediening voor een goede infraroodoverdracht altijd ongeveer in de richting van het te bedienen apparaat.
- Druk op de knop "MODE" om de secundaire apparaatgroep te selecteren: AUX, AMP,DVB-T, CBL (alleen bij het 8in1 model).
- Druk op de "SHIFT"-knop om de blauwe functieknoppen te gebruiken. De shift-functie wordt gedeactiveerd door nogmaals op de "SHIFT"-knop te drukken of automatisch als er na 30 seconden geen knop is ingedrukt.
- Als er binnen 30 seconden geen invoer wordt gedaan, wordt de SETUP-modus automatisch beëindigd. De led knippert zes keer en gaat dan uit.
- Elk apparaattype kan onder elke gewenste apparaatknop worden geprogrammeerd, een televisie kan bijvoorbeeld worden geprogrammeerd onder DVD, AUX, etc.
- U kunt een apparaat niet bedienen met de universele afstandsbediening zolang universele afstandsbediening zich in de Setup-modus bevindt. Verlaat de Setup-modus en selecteer het apparaat dat u wilt bedienen met de knoppen voor apparaatselectie.
- Houd er rekening mee dat de afstandsbediening infraroodsignalen verzendt. Deze zijn niet zichtbaar voor het menselijk oog.

5.1 Directe code-invoer

Bij de universele afstandsbediening wordt een codelijst meegeleverd. Repita el paso 5.4.4 para la segunda, tercera, cuarta y quinta cifra respectivamente. Voor een eenvoudige oriëntatie worden de codes eerst op apparaattype (tv, dvd, etc.) en binnen het apparaattype alfabetisch op merknaam gesorteerd. U kunt de volgende QR-code gebruiken om een lijst met beschikbare codes voor het merk van uw eindapparaat op te stellen.



<https://support.hama.com/codefinder>

- 5.1.1 Schakel het te bedienen apparaat in.
- 5.1.2 Druk op de "SETUP"-knop totdat de led continu brandt.
- 5.1.3 Gebruik de apparaatknoop om het apparaat dat u wilt bedienen te selecteren (bijv. tv). Als de selectie is gelukt, knippert de led één keer en brandt daarna continu.
- 5.1.4 Zoek nu het merk en type apparaat dat u wilt bedienen in de codelijst.
- 5.1.5 Voer de juiste vijfcijferige code in met de cijferknoppen 0-9. De led bevestigt de invoer van de afzonderlijke cijfers door kort te knipperen en dooft na het vijfde cijfer.
- 5.1.6 Test de afstandsbediening vervolgens en kijk of de gewenste functies te bedienen zijn. De eerste code is mogelijk niet de meest geschikte of eventueel zijn niet alle functies beschikbaar. Probeer in dat geval de volgende code uit de lijst voor het geselecteerde apparaattype/merk.

Aanwijzing

- Een geldige code wordt automatisch opgeslagen.
- Als de code ongeldig is, knippert de led zes keer en dooft vervolgens. Herhaal de stappen 5.1.1 tot en met 5.1.5 of gebruik een andere methode om de code in te voeren.

5.2 Handmatig code zoeken

De universele afstandsbediening beschikt over een intern geheugen dat reeds tot 350 codes per apparaattype bevat voor de meest voorkomende AV-apparaten. U kunt deze codes doorlopen totdat het apparaat dat u wilt bedienen een reactie vertoont. Het te bedienen apparaat kan bijvoorbeeld worden uitgeschakeld (knop "POWER") of verandert van zender (knop "PROG+ / PROG-").

- 5.2.1 Schakel het te bedienen apparaat in.
- 5.2.2 Druk op de SETUP-knoop totdat de led continu brandt.
- 5.2.3 Gebruik de apparaatknoop om het apparaat dat u wilt bedienen te selecteren (bijv. tv). Als de selectie is gelukt, knippert de led één keer en brandt daarna continu.
- 5.2.4 Druk op de knop "POWER" of "PROG+/PROG-" om door de vooraf ingestelde codes te bladeren totdat het te bedienen apparaat een reactie geeft.
- 5.2.5 Druk op "OK" om de code op te slaan en het zoeken naar codes af te sluiten. De led dooft.
- 5.2.6 Test de afstandsbediening vervolgens en kijk of de gewenste functies te bedienen zijn. De eerste gevonden code is mogelijk niet de meest geschikte of eventueel zijn niet alle functies beschikbaar. Herhaal in dit geval de stappen 5.2.1. – 5.2.5. Het zoeken naar code begint met de volgende code die op de laatst opgeslagen code volgt.

Aanwijzing

Er kunnen maximaal 350 codes van de meest gangbare apparaten in het interne geheugen worden opgeslagen. Vanwege het grote aantal AV-apparaten dat op de markt verkrijgbaar is, kan het mogelijk zijn dat alleen de meest gebruikelijke hoofdfuncties beschikbaar zijn. Herhaal in dit geval de stappen 5.2.1 tot en met 5.2.5 om een beter compatibele code te vinden. Voor sommige specifieke apparaatmodellen is mogelijk geen code beschikbaar.

5.3 Automatisch code zoeken

Bij het automatisch zoeken naar codes worden dezelfde vooraf ingestelde codes gebruikt als bij het handmatig zoeken naar codes (5.2). De universele afstandsbediening zoekt de codes echter automatisch totdat het te bedienen apparaat een reactie vertoont. Het te bedienen apparaat kan bijvoorbeeld worden uitgeschakeld (knop "POWER") of verandert van zender (knoppen "PROG+/PROG-").

- 5.3.1 Schakel het te bedienen apparaat in.
- 5.3.2 Druk op de "SETUP"-knop totdat de led continu brandt.
- 5.3.3 Gebruik de apparaatknoop om het apparaat dat u wilt bedienen te selecteren (bijv. tv). Als de selectie is gelukt, knippert de led één keer en brandt daarna continu.
- 5.3.4 Druk op de knop "PROG+/PROG-" of "POWER" om het automatisch zoeken naar codes te starten. De led knippert één keer en brandt daarna continu. Het duurt 6 seconden voordat de universele afstandsbediening begint met zoeken.

Aanwijzing:

De zoeksnelheid instellen

De standaardinstelling voor de zoektijd per code is 1 seconde. Als u dit niet wilt, kunt u overschakelen naar een zoektijd van 3 seconden per code. Om tussen de zoektijden over te schakelen, drukt u op "PROG+" of "PROG-" binnen de 6 seconden voordat het automatisch zoeken naar codes begint.

- 5.3.5 De led bevestigt het zoeken naar de betreffende code door één keer te knipperen.
- 5.3.6 Zodra het te bedienen apparaat een reactie geeft, drukt u op de knop "OK" om de code op te slaan en het zoeken naar codes te verlaten. De led dooft.
- 5.3.7 Test de afstandsbediening vervolgens en kijk of de gewenste functies te bedienen zijn. De eerste gevonden code is mogelijk niet de meest geschikte of eventueel zijn niet alle functies beschikbaar. Herhaal in dit geval de stappen 5.3.1. – 5.3.6. Het zoeken naar code begint met de volgende code die op de laatst opgeslagen code volgt.

5.3.8 Om het automatisch zoeken tijdens het zoekproces te annuleren, drukt u op de knop "EXIT".

Aanwijzing



Als alle codes zonder succes zijn doorzocht, verlaat de universele afstandsbediening het automatisch zoeken naar codes en keert automatisch naar de bedrijfsmodus terug. De momenteel opgeslagen code blijft ongewijzigd.

5.4 Codeherkenning

Met codeherkenning kunt u een code herkennen die u al hebt opgeslagen.

- 5.4.1 Druk op de "SETUP"-knop totdat de led continu brandt.
- 5.4.2 Gebruik de apparaatknoop om het apparaat dat u wilt bedienen te selecteren (bijv. tv). Als de selectie is gelukt, knippert de led één keer en brandt daarna continu.
- 5.4.3 Druk op de knop "SETUP". De led knippert één keer en brandt daarna continu.
- 5.4.4 Om het eerste cijfer te vinden, drukt u op een van de cijferknoppen van 0 tot 9. De led knippert één keer voor het eerste cijfer van het vijfcijferige codenummer.
- 5.4.5 Herhaal stap 5.4.4 voor het tweede, derde, vierde en vijfde cijfer.
- 5.4.6 U kunt de code nu in de onderstaande tabel noteren voor als u de code later weer nodig hebt (als u bijvoorbeeld per ongeluk de instellingen van de afstandsbediening hebt gewist).

CODES			
TV	SOUND	STB	DVD
AUX	AMP	CBL	DVBT

6. Speciale functies

6.1 Zender-punch-through

Met de functie zender-punch-through kunnen de opdrachten PROG+ of PROG- het momenteel bestuurd apparaat omzeilen en de zenders van een tweede apparaat veranderen. Alle andere opdrachten worden niet beïnvloed.

U activeert de zender-punch-through als volgt:

- Druk op de gewenste apparaatknoop (bijv. TV).
- Houd de knop "PROG+" ingedrukt.
- Druk op de gewenste apparaatknoop (bijv. SAT).
- Laat de knop "PROG+" los (de led knippert één keer als de instelling geactiveerd is).

U deactiveert de zender-punch-through als volgt:

- Druk op de gewenste apparaatknoop (bijv. TV).
- Houd de knop "PROG-" ingedrukt.
- Druk op de gewenste apparaatknoop (bijv. SAT).
- Laat de knop "PROG-" los (de led knippert twee keer als de instelling gedeactiveerd is).

6.2 Volume-punch-through

Met de volume-punch-through kunnen de opdrachten VOL+ of VOL- het momenteel bestuurd apparaat omzeilen en het volume van een tweede apparaat instellen. Alle andere opdrachten worden niet beïnvloed.

U activeert de volume-punch-through als volgt:

- Druk op de gewenste apparaatknoop (bijv. TV).
- Houd de knop "VOL+" ingedrukt.
- Druk op de gewenste apparaatknoop (bijv. SAT).
- Laat de knop "VOL+" los (de led knippert één keer als de instelling geactiveerd is).

U deactiveert de zender-punch-through als volgt:

- Druk op de gewenste apparaatknoop (bijv. TV).
- Houd de knop "VOL-" ingedrukt.
- Druk op de gewenste apparaatknoop (bijv. SAT).
- Laat de knop "VOL-" los (de led knippert twee keer als de instelling gedeactiveerd is).

6.3 Macro Power

Met Macro Power kunt u twee AV-apparaten tegelijkertijd in- en uitschakelen.

U activeert de Macro Power-functie als volgt:

- Druk op de gewenste apparaatknoop (bijv. TV).
- Houd de knop "POWER" ingedrukt.
- Druk op de gewenste apparaatknoop (bijv. SAT).
- Laat de knop "POWER" los (de led knippert één keer als de instelling geactiveerd is).

U deactiveert de Macro Power-functie als volgt:

- Druk op de gewenste apparaatknoop (bijv. TV).
- Houd de knop "POWER" ingedrukt.
- Druk op de gewenste apparaatknoop (bijv. SAT).
- Laat de knop "POWER" los (de led knippert twee keer als de instelling gedeactiveerd is).

7. Onderhoud

- Gebruik nooit oude en nieuwe batterijen tegelijk in de universele afstandsbediening, aangezien oude batterijen kunnen gaan lekken en tot prestatieverlies kunnen leiden.

-
- Maak de universele afstandsbediening nooit schoon met schuurmiddelen of sterke reinigingsmiddelen.
 - Houd de universele afstandsbediening stofvrij door hem met een droge, zachte doek schoon te maken.

8. Storingen verhelpen

V. Mijn universele afstandsbediening doet het niet!

A. Controleer het AV-apparaat. Als de hoofdschakelaar van het apparaat is uitgeschakeld, kan de universele afstandsbediening het apparaat niet bedienen.

A. Controleer of de batterijen correct zijn geplaatst en of de polariteit in acht is genomen.

A. Controleer of u de juiste apparaatknop voor het apparaat hebt ingedrukt.

A. Vervang de batterijen als de batterijen bijna leeg zijn.

V. Als er voor mijn merk AV-apparaat meerdere apparaatcodes staan vermeld, hoe kies ik dan de juiste apparaatcode?

A. Om de juiste apparaatcode voor het AV-apparaat te bepalen, test u de codes een voor een totdat de meeste knoppen correct werken.

V. Mijn AV-apparaat reageert slechts op een paar knop-opdrachten.

A. Probeer andere codes totdat de meeste knoppen correct werken.

V. Het merk van mijn AV-apparaat staat niet op de codelijst.

A. Gebruik in dit geval de handmatige code-zoekfunctie (hoofdstuk 5.2) of de automatische code-zoekfunctie (hoofdstuk 5.3). Tijdens het zoeken naar codes worden alle codes voor een apparaattype voor verschillende fabrikanten getest, bijvoorbeeld alle codes voor SAT-ontvangers ongeacht de fabrikant.

V. Ik heb alle bestaande codes voor het merk van mijn AV-apparaat uit de codelijst geprobeerd, maar geen van de genoemde codes werkt.

A. Gebruik in dit geval de handmatige code-zoekfunctie (hoofdstuk 5.2) of de automatische code-zoekfunctie (hoofdstuk 5.3). Tijdens het zoeken naar codes worden alle codes voor een apparaattype voor verschillende fabrikanten getest, bijvoorbeeld alle codes voor SAT-ontvangers ongeacht de fabrikant.

9. Uitsluiting aansprakelijkheid

Hama GmbH & Co KG is niet aansprakelijk voor en verleent geen garantie op schade die het gevolg is van ondeskundige installatie, montage en ondeskundig gebruik van het product of het niet in acht nemen van de handleiding en/of veiligheidsinstructies.

I Istruzioni per l'uso

Telecomando universale

Grazie per avere acquistato un prodotto Hama. Prima di iniziare a utilizzare il telecomando universale, prendersi il tempo necessario per leggere le istruzioni e le informazioni descritte di seguito. Conservare il presente libretto di istruzioni in un luogo sicuro per consultarlo in caso di necessità.

Tasti funzione (modelli 4 in 1, 8 in 1)

1. Funzione Mute
2. Tasti per la selezione degli apparecchi
3. Text ON: apre il teletext
4. Arresto: ferma la pagina del teletext al momento visualizzata
5. ◀◀ Indietro/rosso
 - ▶ Riproduzione/giallo
 - ▶▶ Avanzamento rapido/blu
 - Avvio registrazione
 - Stop/verde
 - Il Pausa/magenta
6. Tasto shift
7. Menu: apre il menu dell'apparecchio
8. Tasto modalità per la selezione del gruppo di apparecchi secondari (soltanto modello 8 in 1: AUX, DVBT, CBL, AMP)
9. Vol+/Vol-: regola il volume
10. Setup: impostazioni del telecomando
11. Tasti numerici 0-9
12. Smart TV: apre il menu Smart TV (se supportato dall'apparecchio)
 - Shift+Smart TV: seleziona la sorgente AV esterna
13. APPS: apre il menu App (se supportato dall'apparecchio)
 - Shift+APPS: passa ai numeri delle emittenti a due cifre
14. PROG+/PROG-: seleziona i programmi
15. EXIT: esce dal menu dell'apparecchio
16. OK: conferma la scelta effettuata
17. EPG: guida elettronica programma (se supportata dall'apparecchio AV selezionato)
18. Info: visualizza informazioni on-screen (se supportato dall'apparecchio AV)
19. Text OFF: chiude il teletext
20. Power: ACCESIONE/SPEGNIMENTO / LED

1. Spiegazione dei simboli di avvertenza e delle istruzioni

Attenzione



Contraddistingue le istruzioni di sicurezza o richiama l'attenzione su particolari rischi e pericoli.

Nota



Contraddistingue informazioni supplementari o indicazioni importanti.

2. Dotazione

- Telecomando universale
- Elenco dei codici
- Il presente libretto di istruzioni
- 2x batterie AA

3. Istruzioni di sicurezza

- Non utilizzare il telecomando universale in ambienti umidi e proteggerlo dagli schizzi d'acqua.
- Tenere il telecomando universale lontano da fonti di calore e non esporlo alla luce solare diretta.
- Come tutti gli apparecchi elettrici, tenere il comando universale fuori dalla portata dei bambini.
- Il prodotto è previsto per uso personale, non commerciale.
- Utilizzare il prodotto soltanto per gli scopi previsti.
- Proteggere il prodotto dallo sporco, dall'umidità e dal surriscaldamento e utilizzarlo solo in ambienti asciutti.
- Non utilizzare il prodotto in ambienti dove non è consentito l'uso di strumenti elettronici.
- Non far cadere il prodotto e non esporlo a urti.
- Non apportare modifiche al prodotto. In tal caso decade ogni diritto di garanzia.
- Tenere l'imballaggio assolutamente fuori dalla portata dei bambini: pericolo di soffocamento.
- Smaltire immediatamente il materiale d'imballaggio in conformità alle prescrizioni locali vigenti.
- Non utilizzare il prodotto oltre i limiti di potenza indicati nei dati tecnici.
- Non aprire il prodotto e cessarne l'utilizzo se presenta danneggiamenti.
- Non effettuare interventi di manutenzione e riparazione sul prodotto di propria iniziativa. Fare eseguire i lavori di riparazione soltanto da operatori specializzati.
- Utilizzare il prodotto soltanto in condizioni climatiche moderate.

Attenzione - batterie



- Inserire le batterie attenendosi sempre alla polarità indicata (etichetta + e -). La mancata osservanza della polarità corretta può causare perdite o l'esplosione delle batterie.
- Utilizzare soltanto batterie del tipo indicato. Per consultazioni future, conservare le istruzioni sulla scelta delle batterie appropriate descritte nelle istruzioni d'uso dei dispositivi.
- Prima di inserire le batterie pulire i contatti delle medesime e i contro contatti.
- Non consentire ai bambini di sostituire le batterie, se non sotto la sorveglianza di una persona adulta.
- Sostituire tutte le batterie di un set contemporaneamente.
- Non utilizzare contemporaneamente batterie vecchie e nuove, nonché di marche e tipi diversi.
- Rimuovere le batterie dai prodotti se non utilizzati per periodi prolungati (a meno che non debbano essere disponibili per casi di emergenza).
- Non cortocircuitare le batterie.
- Non ricaricare batterie non ricaricabili.
- Non gettare le batterie nel fuoco e non riscaldarle.
- Non aprire, danneggiare, ingerire o disperdere le batterie nell'ambiente per nessuna ragione. Esse possono contenere metalli pesanti velenosi e nocivi per l'ambiente.
- Togliere subito le batterie esaurite dal prodotto e provvedere al loro smaltimento conforme.
- Evitare la custodia, la ricarica e l'uso del prodotto a temperature estreme e a pressioni atmosferiche estremamente basse (ad esempio ad alte quote).
- Evitare attentamente che le batterie con involucro danneggiato vengano a contatto con acqua.
- Custodire le batterie fuori dalla portata dei bambini.



4. Primi passi – Inserire le batterie

Nota



- È consigliato l'uso di batterie alcaline. Utilizzare due batterie di tipo "AAA" (LR 03/Micro).
- Togliere il coperchio del vano batterie sul retro del telecomando universale (A).
- Inserire le batterie seguendo i segni "+/-" della polarità (B).
- Chiudere il vano batterie (C).

Nota: memoria dei codici



Quando si sostituiscono le batterie, i codici programmati restano in memoria per non oltre 10 minuti. Fino a che le nuove batterie non sono inserite nel telecomando, fare attenzione a non premere i tasti. La pressione di un qualsiasi tasto prima dell'inserimento delle batterie dà luogo alla cancellazione di tutti i codici.

Nota: funzione battery saver



Spegne il telecomando se viene premuto un tasto per oltre 15 secondi. La funzione prolunga il ciclo di vita delle batterie qualora il telecomando finisca inavvertitamente in un punto in cui i tasti restano premuti, ad es. tra i cuscini del divano.

5. Setup

Nota



- Per assicurare una corretta trasmissione a infrarossi, puntare sempre il telecomando nella direzione dell'apparecchio.
- Premere il tasto "MODE" per selezionare il gruppo di apparecchi secondari: AUX, AMP,DVB-T, CBL (soltanto nel modello 8in1).
- Premere il tasto "SHIFT" per utilizzare i tasti funzione blu. La funzione Shift si disattiva premendo di nuovo il tasto "SHIFT" oppure automaticamente dopo 30 secondi se non vengono premuti tasti.
- Se non vengono effettuate immissioni entro 30 secondi, il telecomando esce automaticamente dalla modalità SETUP. Il LED lampeggia sei volte poi si spegne.
- Ogni tipo di apparecchio può essere programmato su un tasto a piacere, ad esempio un televisore può essere programmato su DVD, AUX ecc.
- Quando è in modalità Setup, il telecomando universale non si interfaccia con gli apparecchi. Uscire dalla modalità Setup e selezionare l'apparecchio desiderato tramite gli appositi tasti.
- Si osservi che il telecomando trasmette raggi a infrarossi. Questi non sono visibili all'occhio umano.

5.1 Inserimento diretto dei codici

Insieme al telecomando universale viene fornito un elenco di codici. In esso sono contenuti codici a cinque cifre necessari per sincronizzare il telecomando con la gran parte delle marche di apparecchi AV.

Per facilitare l'orientamento, i codici sono ordinati per tipo di apparecchio (TV, DVD, ecc.) e quindi alfabeticamente in base ai nomi dei marchi.

Tramite il seguente QR Code è possibile creare un elenco dei codici disponibili per la marca del proprio dispositivo.



<https://support.hama.com/codefinder>

- 5.1.1 Accendere l'apparecchio desiderato.
- 5.1.2 Premere il tasto "SETUP" fino all'accensione a luce fissa del LED.
- 5.1.3 Scegliere l'apparecchio desiderato tramite l'apposito tasto (ad es. TV). Se la scelta va a buon fine, il LED lampeggia una volta e passa infine a luce fissa.
- 5.1.4 Nell'elenco dei codici, cercare la marca e il tipo di apparecchio.
- 5.1.5 Inserire il codice a cinque cifre tramite i tasti numerici 0-9. Il LED conferma l'immissione delle singole cifre con un breve lampeggiamento e si spegne dopo l'inserimento della quinta cifra.
- 5.1.6 Testare infine il telecomando e verificare se consente di gestire le funzioni desiderate. Potrebbe accadere che il primo codice non sia il più adatto e che non tutte le funzioni siano disponibili. In tal caso provare con il codice successivo del tipo/della marca di apparecchio.

Nota

- I codici validi vengono salvati automaticamente.
- Se il codice non è valido, il LED lampeggia sei volte e si spegne. Ripetere i passaggi 5.1.1 a 5.1.5 o utilizzare un metodo di inserimento del codice diverso.

5.2 Ricerca dei codici manuale

Il telecomando universale è dotato di una memoria interna con 350 codici dei tipi di apparecchi AV più diffusi. Questi possono essere inseriti in successione fino a che l'apparecchio non risponde, ad esempio spegnendosi (tasto "POWER") o cambiando emittente (tasto "PROG+/PROG-").

- 5.2.1 Accendere l'apparecchio desiderato.
- 5.2.2 Premere il tasto SETUP fino all'accensione a luce fissa del LED.
- 5.2.3 Scegliere l'apparecchio desiderato tramite l'apposito tasto (ad es. TV). Se la scelta va a buon fine, il LED lampeggia una volta e passa infine a luce fissa.
- 5.2.4 Premere il tasto "POWER" o "PROG+/PROG-" per scorrere i codici preimpostati fino a osservare una risposta dell'apparecchio.
- 5.2.5 Premere "OK" per salvare il codice e uscire dalla ricerca. Il LED si spegne.
- 5.2.6 Testare infine il telecomando e verificare se consente di gestire le funzioni desiderate. Potrebbe accadere che il primo codice non sia il più adatto e che non tutte le funzioni siano disponibili. In tal caso ripetere i passaggi 5.2.1. – 5.2.5. La ricerca dei codici si avvia con il codice successivo a quello salvato per ultimo.

Nota

Nella memoria interna possono essere salvati fino a 350 codici delle marche di apparecchi più diffuse. A fronte dell'elevato numero di apparecchi AV presenti sul mercato, potrebbero essere disponibili le sole funzioni principali più comuni. In tal caso ripetere i passaggi 5.2.1 a 5.2.5 per trovare un codice più compatibile. Per alcuni speciali modelli di apparecchi il codice potrebbe non essere disponibile.

5.3 Ricerca dei codici automatica

La ricerca automatica utilizza gli stessi codici preimpostati per la ricerca manuale (5.2). Il telecomando universale cerca automaticamente i codici fino a quando l'apparecchio non risponde, ad esempio spegnendosi (tasto "POWER") o cambiando emittente (tasto "PROG+/PROG-").

- 5.3.1 Accendere l'apparecchio desiderato.
- 5.3.2 Premere il tasto "SETUP" fino all'accensione a luce fissa del LED.
- 5.3.3 Scegliere l'apparecchio desiderato tramite l'apposito tasto (ad es. TV). Se la scelta va a buon fine, il LED lampeggia una volta e passa infine a luce fissa.
- 5.3.4 Premere il tasto "PROG+/PROG-" o "POWER" per avviare la ricerca dei codici automatica. Il LED lampeggia una volta e passa a luce fissa. Il telecomando universale inizia la ricerca dopo 6 secondi.

Nota:

impostare la velocità di ricerca

La velocità di ricerca preimpostata è di 1 codice al secondo. Se desiderato, è possibile impostare un tempo di ricerca di un codice ogni 3 secondi. Per passare tra questi due tempi di ricerca, premere "PROG+" o "PROG-" entro 6 secondi prima dell'inizio della ricerca automatica.

- 5.3.5 Il LED conferma il passaggio con un singolo lampeggiamento.
- 5.3.6 Non appena l'apparecchio risponde, premere il pulsante "OK" per salvare il codice e uscire dalla ricerca. Il LED si spegne.
- 5.3.7 Testare infine il telecomando e verificare se consente di gestire le funzioni desiderate. Potrebbe accadere che il primo codice non sia il più adatto e che non tutte le funzioni siano disponibili. In tal caso ripetere i passaggi 5.3.1. – 5.3.6.
La ricerca dei codici si avvia con il codice successivo a quello salvato per ultimo.
- 5.3.8 Per interrompere la ricerca automatica premere il tasto "EXIT".

Nota



Se l'operazione non va a buon fine, il telecomando universale esce dalla ricerca automatica e torna in modalità operativa. Il codice al momento salvato resta invariato.

5.4 Riconoscimento del codice

La funzione di riconoscimento consente di rilevare un codice già salvato.

- 5.4.1 Premere il tasto "SETUP" fino all'accensione a luce fissa del LED.
- 5.4.2 Scegliere l'apparecchio desiderato tramite l'apposito tasto (ad es. TV). Se la scelta va a buon fine, il LED lampeggia una volta e passa infine a luce fissa.
- 5.4.3 Premere il tasto "SETUP". Il LED lampeggia una volta e passa a luce fissa.
- 5.4.4 Per la ricerca della prima cifra premere uno dei tasti numerici da 0 a 9. Il LED lampeggia una volta per la prima delle cinque cifre del codice.
- 5.4.5 Ripetere il passaggio 5.4.4 per la seconda, la terza, la quarta cifra e la quinta cifra.
- 5.4.6 Trascrivere il codice rilevato nella tabella sottostante qualora fosse di nuovo necessario in un secondo momento (ad esempio dopo aver cancellato accidentalmente le impostazioni del telecomando).

CODES			
TV	SOUND	STB	DVD
AUX	AMP	CBL	DVBT

6. Funzioni speciali

6.1 Punch-through emittente

Con la funzione punch-through emittente, i comandi PROG + o PROG- bypassano l'apparecchio al momento interfacciato e cambiano gli emittenti di un secondo apparecchio. La funzione non è estesa a tutti gli altri comandi.

Come attivare la funzione punch-through emittente:

- Premere il tasto dell'apparecchio desiderato (ad es. TV).
- Tenere premuto il pulsante "PROG+".
- Premere il tasto dell'apparecchio desiderato (ad es. SAT).
- Lasciare il tasto "PROG+" (attivando l'impostazione il LED lampeggia una volta).

Come disattivare la funzione punch-through emittente:

- Premere il tasto dell'apparecchio desiderato (ad es. TV).
- Tenere premuto il tasto "PROG".
- Premere il tasto dell'apparecchio desiderato (ad es. SAT).
- Lasciare il tasto "PROG-" (disattivando la funzione il LED lampeggia due volte).

6.2 Punch-through volume

Con la funzione punch-through volume, i comandi VOL + o VOL - bypassano l'apparecchio al momento interfacciato e regolano il volume di secondo apparecchio. La funzione non è estesa a tutti gli altri comandi.

Come attivare la funzione punch-through volume:

- Premere il tasto dell'apparecchio desiderato (ad es. TV).
- Tenere premuto il pulsante "VOL+".
- Premere il tasto dell'apparecchio desiderato (ad es. SAT).
- Lasciare il tasto "VOL+" (attivando l'impostazione il LED lampeggia una volta).

Come disattivare la funzione punch-through emittente:

- Premere il tasto dell'apparecchio desiderato (ad es. TV).
- Tenere premuto il tasto "VOL".
- Premere il tasto dell'apparecchio desiderato (ad es. SAT).
- Lasciare il tasto "VOL-" (disattivando la funzione il LED lampeggia due volte).

6.3 Macro Power

La funzione macro power consente di accendere/spengere contemporaneamente due apparecchi AV.

Come attivare la funzione macro power:

- Premere il tasto dell'apparecchio desiderato (ad es. TV).
- Tenere premuto il pulsante "POWER".
- Premere il tasto dell'apparecchio desiderato (ad es. SAT).
- Lasciare il tasto "POWER" (attivando l'impostazione il LED lampeggia una volta).

Come disattivare la funzione macro power:

- Premere il tasto dell'apparecchio desiderato (ad es. TV).
- Tenere premuto il pulsante "POWER".
- Premere il tasto dell'apparecchio desiderato (ad es. SAT).
- Lasciare il tasto "POWER" (disattivando la funzione il LED lampeggia due volte).

7. Manutenzione

- Non utilizzare batterie vecchie e nuove contemporaneamente, poiché le prime tendono a perdere liquido e possono comportare una riduzione delle prestazioni del telecomando universale.
- Non pulire in nessun caso il telecomando universale con detergenti abrasivi o aggressivi.
- Spolverare regolarmente il telecomando universale con un panno morbido e asciutto.

8. Risoluzione dei problemi

F. Il mio telecomando universale non funziona!

A. Controllare l'apparecchio AV. Se l'interruttore principale del dispositivo è spento, il telecomando universale non esegue funzioni.

A. Verificare che le batterie siano inserite nel modo corretto e secondo la polarità indicata.

A. Verificare se è stato premuto il tasto relativo all'apparecchio che si vuole utilizzare.

A. Sostituire le batterie se presentano un basso livello di carica.

F. Se l'elenco riporta più codici della marca del mio apparecchio AV, come faccio a scegliere quello corretto?

A. Per rilevare il codice corretto per il proprio apparecchio AV, provare i codici in successione fino a ottenere un funzionamento corretto dei tasti.

F. Il mio apparecchio AV non risponde ad alcuni comandi dei tasti.

A. Provare altri codici fino a ottenere il funzionamento corretto della maggiore parte dei tasti.

F. La marca del mio apparecchio AV non è riportata nell'elenco dei codici.

A. In tal caso, utilizzare la funzione di ricerca manuale (capitolo 5.2) o quella automatica (capitolo 5.3). Durante la ricerca, vengono testati tutti i codici compatibili per un tipo di apparecchio, ad esempio tutti quelli per i SAT receiver di qualsiasi marca.

F. Ho provato tutti i codici della marca del mio apparecchio AV riportati nell'elenco, ma nessuno di essi funziona.

A. In tal caso, utilizzare la funzione di ricerca manuale (capitolo 5.2) o quella automatica (capitolo 5.3). Durante la ricerca, vengono testati tutti i codici compatibili per un tipo di apparecchio, ad esempio tutti quelli per i SAT receiver di qualsiasi marca.

9. Esclusione di garanzia

Hama GmbH & Co KG declina ogni responsabilità per danni dovuti al montaggio o all'utilizzo scorretto del prodotto, nonché alla mancata osservanza delle istruzioni d'uso e/o di sicurezza.

Pilot uniwersalny

Dziękujemy za zakup produktu marki Hama.
Prosimy o poświęcenie chwili na przeczytanie niniejszej instrukcji i podanych informacji w całości. Instrukcję tę należy zachować w bezpiecznym miejscu do wykorzystania w przyszłości.

Przyciski funkcyjne (modele 4 w 1, 8 w 1)

1. Wyciszanie
2. Przyciski wyboru urządzenia
3. Tekst Wł.: włączanie telegazety
4. Zatrzymanie: zatrzymanie na bieżącej stronie telegazety
5. ◀◀ Wstecz/czerwony
 - ▶ Odtwarzanie/złoty
 - ▶▶ Przewijanie do przodu / niebieski
 - Rozpoczęcie nagrania
 - Stop/zielony
 - || Pauza / magenta
6. Przycisk Shift
7. Menu: otwieranie menu urządzenia
8. Przycisk trybu do wyboru drugiej grupy urządzeń (tylko model 8 w 1: AUX, DVBT, CBL, AMP)
9. Vol+/Vol-: kontrola głośności
10. Setup: ustawienia pilota
11. Przyciski numeryczne 0–9
12. Smart TV: otwarcie menu Smart TV (jeśli jest obsługiwane przez urządzenie)
Shift+Smart TV: wybór zewnętrznego źródła AV
13. APPS: otwarcie menu aplikacji (jeśli obsługiwane przez urządzenie)
Shift+APPS: przełączenie na dwucyfrowe numery kanałów
14. PROG+/PROG-: wybór programu, góra/dół
15. EXIT: opuszczenie menu urządzenia
16. OK: potwierdzenie wyboru
17. EPG: elektroniczny przewodnik po programach (jeśli jest obsługiwany przez wybrane urządzenie AV)
18. Informacje: informacje ekranowe (jeśli są obsługiwane przez urządzenie AV)
19. Tekst WYŁ.: wyłączenie telegazety
20. Zasilanie: włączanie/wyłączenie/LED

1. Objasnienia dotyczace uzytych symboli ostrzegawczych i uwag

Ostrzezenie



Niniejszy symbol stosuje się do wskazania zaleceń dotyczących bezpieczeństwa lub w celu zwrócenia uwagi na konkretne zagrożenia i niebezpieczeństwa.

Uwaga



Niniejszy symbol wskazuje na dodatkowe informacje i istotne uwagi.

2. Zakres dostawy

- Pilot uniwersalny
- Lista kodów
- Niniejsza instrukcja obsługi
- 2x baterie AAA

3. Zasady bezpieczenstwa

- Nie używać pilota uniwersalnego w wilgotnym otoczeniu i unikać kontaktu z rozpryskami wody.
- Pilota uniwersalnego trzymać z dala od źródeł ciepła i nie wystawiać go na bezpośrednie działanie promieni słonecznych.
- Pilot uniwersalny – podobnie jak wszystkie produkty elektryczne – nie powinien być obsługiwany przez dzieci.
- Produkt jest przeznaczony do prywatnego, niekomercyjnego użytku.
- Produktu należy używać wyłącznie zgodnie z przeznaczeniem.
- Chronić produkt przed brudem, wilgocią i przegrzaniem. Korzystać z produktu wyłącznie w suchych pomieszczeniach.
- Nie używać produktu w miejscach, gdzie niedozwolone jest stosowanie urządzeń elektronicznych.
- Nie upuszczać produktu i nie narażać go na silne wstrząsy.
- Nie wolno w żaden sposób modyfikować produktu. Spowoduje to utratę gwarancji.
- Opakowanie przechowywać w miejscu niedostępnym dla dzieci. Niebezpieczeństwo uduszenia.
- Opakowanie należy niezwłocznie usunąć zgodnie z lokalnymi przepisami dotyczącymi utylizacji.
- Nie używać produktu poza granicami jego wydajności określonymi w danych technicznych.
- Nie otwierać produktu i nie kontynuować jego obsługi, jeżeli jest uszkodzony.
- Nie próbować samodzielnie dokonywać konserwacji lub naprawiać urządzenia. Wszelkie prace konserwacyjne należy powierzyć odpowiedniemu personelowi specjalistycznemu.
- Z produktu należy korzystać wyłącznie w umiarkowanych warunkach klimatycznych.

Ostrzeżenie – baterie



- Koniecznie przestrzegać prawidłowej biegunowości (oznaczenie + i -) baterii oraz odpowiednio je wkładać. Nieprzestrzeganie grozi wyciekami lub wybuchem baterii.
- Używać wyłącznie baterii określonego typu. Wskazówki dotyczące baterii zawarte w instrukcji obsługi urządzeń należy przechowywać w celu późniejszego wykorzystania.
- Przed włożeniem baterii wyczyścić styki baterii i przeciwległe styki.
- Nie pozwalać dzieciom na wymienianie baterii bez nadzoru.
- Wymieniać jednocześnie wszystkie baterie kompletu.
- Nie mieszać starych baterii z nowymi, baterii różnego typu lub różnych producentów.
- Wyjąć baterie z produktów, które nie będą używane przez dłuższy czas (chyba że są gotowe do użycia w sytuacji awaryjnej).
- Nie zwierać baterii.
- Nie ładować baterii.
- Nie wrzucać baterii do ognia i nie podgrzewać ich.
- Nigdy nie otwierać, nie uszkadzać ani nie polykać baterii i nie dopuszczać, aby przedostały się do środowiska. Mogą one zawierać toksyczne i szkodliwe dla środowiska metale ciężkie.
- Zużyte baterie natychmiast wyjąć z produktu i wyrzucić.
- Unikać przechowywania, ładowania i użytkowania w ekstremalnych temperaturach i przy bardzo niskim ciśnieniu powietrza (np. na dużych wysokościach).
- Upewnić się, że baterie z uszkodzoną obudową nie mają kontaktu z wodą.
- Przechowywać baterie w miejscu niedostępnym dla dzieci.



4. Pierwsze kroki – wkładanie baterii

Uwaga



- Zalecane są baterie alkaliczne. Używać dwóch baterii "AAA" (LR 03 / micro).
- Zdjąć pokrywę komory baterii z tyłu pilota uniwersalnego (A).
- Włożyć baterie, zwracając uwagę na oznaczenia "+/-" biegunowości (B).
- Zamknąć komorę baterii (C).

Uwaga: pamięć kodów



- W trakcie wymiany baterii wszystkie zaprogramowane kody pozostają zapisane do 10 minut. Należy uważać, aby do momentu włożenia nowych baterii do pilota nie naciskać żadnych przycisków. Wszystkie kody zostaną usunięte, jeśli zostanie naciśnięty przycisk, gdy w pilocie nie ma baterii.

Uwaga: funkcja oszczędzania energii



- Pilot wyłącza się automatycznie po przytrzymaniu przycisku przez ponad 15 sekund. Oszczędza to energię, gdy pilot utknie w pozycji, w której przyciski są stale wciskane, na przykład między poduszkami na sofie.

5. Setup

Uwaga



- Aby zapewnić prawidłową transmisję w podczerwieni (IR), zawsze kierować pilotem zdalnego sterowania w kierunku urządzenia, które się obsługuje.
- Nacisnąć przycisk "MODE", aby wybrać drugą grupę urządzeń: AUX, AMP, DVB-T, CBL (tylko model 8 w 1).
- Nacisnąć przycisk SHIFT, aby obsługiwać niebieskie klawisze funkcyjne. Funkcja Shift wyłącza się po ponownym naciśnięciu przycisku "SHIFT" lub automatycznie po ok. 30 sekundach nieużywania.
- Jeśli w ciągu 30 sekund nie zostanie wykonana z użyciem pilota żadna akcja, tryb ustawień (SETUP) zostanie automatycznie zakończony. Dioda LED miga sześć razy, a następnie gaśnie.
- Każdy typ urządzenia może być zaprogramowany pod dowolnym przyciskiem urządzenia, np. telewizor może być zaprogramowany pod przyciskiem DVD, AUX itd.
- Nie można obsługiwać żadnego urządzenia za pomocą uniwersalnego pilota, gdy urządzenie to jest w trybie ustawień (Setup). Wyjść z trybu ustawień (Setup) i wybrać urządzenie, które ma być obsługiwane, za pomocą przycisków wyboru urządzenia.
- Należy pamiętać, że pilot zdalnego sterowania emituje sygnały podczerwone. Nie są one widoczne dla ludzkiego oka.

5.1 Bezpośrednie wprowadzanie kodów

Lista kodów jest dostarczana wraz z pilotem uniwersalnym. Lista kodów zawiera pięciocyfrowe kody służące do ustawiania pilota zdalnego sterowania dla większości producentów urządzeń AV.

W celu ułatwienia korzystania kody są pogrupowane według typu urządzenia (TV, DVD itp.), a w ramach typu urządzenia – alfabetycznie według nazwy marki.

Za pomocą poniższego kodu QR możesz sporządzić listę dostępnych kodów dla marki Twojego urządzenia końcowego.



<https://support.hama.com/codefinder>

- 5.1.1 Włączyć urządzenie, które ma być obsługiwane.
- 5.1.2 Nacisnąć i przytrzymać przycisk "SETUP" (Ustawienie), aż dioda LED będzie świecić światłem ciągłym.
- 5.1.3 Użyć przycisku urządzenia, aby wybrać urządzenie, które ma być obsługiwane (np. TV). Jeśli wybór się powiedzie, dioda LED zamiga raz, a następnie zaświeci światłem ciągłym.
- 5.1.4 Wyszukać na liście kodów markę i typ urządzenia, które ma być obsługiwane.
- 5.1.5 Wprowadzić odpowiedni pięciocyfrowy kod za pomocą przycisków numerycznych 0–9. Dioda LED potwierdza wprowadzenie poszczególnych cyfr krótkim mignięciem i gaśnie po piątej cyfrze.
- 5.1.6 Następnie należy przetestować pilot i sprawdzić, czy można sterować wybranymi funkcjami. Pierwszy kod może nie być najbardziej odpowiedni lub nie wszystkie funkcje mogą być dostępne. W takim wypadku należy wypróbować kolejny kod z listy dla wybranego typu / wybranej marki urządzenia.

Uwaga

- Jeśli kod jest ważny, zostanie automatycznie zapisany.
- Jeśli kod jest nieprawidłowy, wskaźnik LED miga sześć razy, a następnie gaśnie. Powtórz kroki od 5.1.1 do 5.1.5 lub użyć innej metody wprowadzania kodu.

5.2 Ręczne wyszukiwanie kodu

Pilot uniwersalny ma wewnętrzną pamięć, która zawiera już do 350 kodów na typ urządzenia dla najpopularniejszych urządzeń AV. Można wypróbować te kody, aż urządzenie, które chce się obsługiwać, zareaguje. Przykładowo – urządzenie, które ma być obsługiwane, wyłącza się (przycisk "POWER") lub zmienia stację (przyciski "PROG+/PROG-").

- 5.2.1 Włączyć urządzenie, które ma być obsługiwane.
- 5.2.2 Nacisnąć i przytrzymać przycisk SETUP (Ustawienie), aż dioda LED będzie świecić światłem ciągłym.
- 5.2.3 Użyć przycisku urządzenia, aby wybrać urządzenie, które ma być obsługiwane (np. TV). Jeśli wybór się powiedzie, dioda LED zamiga raz, a następnie zaświeci światłem ciągłym.
- 5.2.4 Nacisnąć przycisk "POWER" lub "PROG+/PROG-", aby przewijać zaprogramowane kody, aż urządzenie, które ma być obsługiwane, zareaguje.
- 5.2.5 Nacisnąć "OK", aby zapisać kod i wyjść z wyszukiwania kodu. Dioda gaśnie.
- 5.2.6 Następnie należy przetestować pilot i sprawdzić, czy można sterować wybranymi funkcjami. Pierwszy znaleziony kod może nie być najbardziej odpowiedni lub nie wszystkie funkcje mogą być dostępne. W

takim wypadku powtórzyć kroki od 5.2.1 do 5.2.5. Wyszukiwanie kodu rozpoczyna się od następnego kodu następującego po ostatnim zapisanym.

Uwaga

- W pamięci wewnętrznej można przechowywać maksymalnie 350 kodów dla najpopularniejszych urządzeń. Ze względu na dużą liczbę urządzeń AV na rynku dostępne mogą być tylko najbardziej standardowe główne funkcje. W takim wypadku należy powtórzyć kroki od 5.2.1 do 5.2.5, aby znaleźć bardziej zgodny kod. W przypadku niektórych specjalnych modeli urządzeń kod może być niedostępny.

5.3 Automatyczne wyszukiwanie kodu

Automatyczne wyszukiwanie kodu wykorzystuje te same wstępnie ustawione kody, co ręczne wyszukiwanie kodu (5.2). Jednak pilot uniwersalny automatycznie przeszukuje kody, dopóki obsługiwane urządzenie nie zareaguje. Przykładowo – urządzenie, które ma być obsługiwane, wyłącza się (przycisk "POWER") lub zmienia stację (przyciski "PROG+/PROG-").

- 5.3.1 Włączyć urządzenie, które ma być obsługiwane.
- 5.3.2 Nacisnąć i przytrzymać przycisk "SETUP" (Ustawienie), aż dioda LED będzie świecić światłem ciągłym.
- 5.3.3 Użyć przycisku urządzenia, aby wybrać urządzenie, które ma być obsługiwane (np. TV). Jeśli wybór się powiedzie, dioda LED zamiga raz, a następnie zaświeci światłem ciągłym.
- 5.3.4 Nacisnąć przycisk "PROG+/PROG-" lub "POWER", aby rozpocząć automatyczne wyszukiwanie kodu. Dioda LED zamiga raz, a następnie zapali się w sposób ciągły. Rozpoczęcie pierwszego wyszukiwania za pomocą pilota uniwersalnego rozpoczyna się po 6 sekundach.

Uwaga:

ustawianie szybkości wyszukiwania

- Standardowe ustawienie czasu wyszukiwania na kod to 1 sekunda. Zawsze można zmienić czas wyszukiwania na 3 sekundy na kod. Aby przełączać między czasami wyszukiwania, należy nacisnąć "PROG+" lub "PROG-" w ciągu 6 sekund przed rozpoczęciem automatycznego wyszukiwania kodu.

- 5.3.5 Dioda LED potwierdza wyszukiwanie odpowiedniego kodu jednym mignięciem.
- 5.3.6 Gdy tylko urządzenie, które ma być obsługiwane, zareaguje, należy nacisnąć przycisk "OK", aby zapisać kod i wyjść z wyszukiwania kodu. Dioda gaśnie.
- 5.3.7 Następnie należy przetestować pilot i sprawdzić, czy można sterować wybranymi funkcjami. Pierwszy znaleziony kod może nie być najbardziej odpowiedni

lub nie wszystkie funkcje mogą być dostępne. W takim wypadku powtórzyć kroki od 5.3.1 do 5.3.6. Wyszukiwanie kodu rozpoczyna się od następnego kodu następującego po ostatnim zapisanym.

5.3.8 Aby anulować automatyczne wyszukiwanie podczas procesu wyszukiwania, należy nacisnąć przycisk "EXIT".

Uwaga

- Jeśli wszystkie kody zostały wyszukane bez powodzenia, pilot uniwersalny opuszcza tryb automatycznego wyszukiwania kodów i automatycznie powraca do trybu pracy. Aktualnie zapisany kod pozostaje niezmienny.

5.4 Rozpoznawanie kodu

Rozpoznawanie kodu umożliwia zidentyfikowanie już zapisanego kodu.

5.4.1 Nacisnąć i przytrzymać przycisk "SETUP" (Ustawienie), aż dioda LED będzie świecić światłem ciągłym.

5.4.2 Użyć przycisku urządzenia, aby wybrać urządzenie, które ma być obsługiwane (np. TV). Jeśli wybór się powiedzie, dioda LED zamiga raz, a następnie zaświeci światłem ciągłym.

5.4.3 Wcisnąć przycisk "SETUP" (Ustawienie). Dioda LED zamiga raz, a następnie zapali się w sposób ciągły.

5.4.4 Aby znaleźć pierwszą cyfrę, nacisnąć jeden z przycisków numerycznych od 0 do 9. Dioda LED zamiga raz dla pierwszej cyfry pięciocyfrowego kodu.

5.4.5 Powtórzyć krok 5.4.4 dla drugiej, trzeciej, czwartej i piątej cyfry.

5.4.6 Następnie kod można wprowadzić w poniższej tabeli, jeśli będzie potrzeba wykorzystania go ponownie w późniejszym czasie (np. po przypadkowym usunięciu ustawień pilota).

CODES			
TV	SOUND	STB	DVD
AUX	AMP	CBL	DVBT

6. Funkcje specjalne

6.1 Tryb przełączania kanałów Punch Through

Tryb przełączania kanałów Punch Through umożliwia poleceniom PROG+ lub PROG- ominięcie aktualnie sterowanego urządzenia i przełączenie kanałów na drugim urządzeniu. Nie ma to wpływu na wszystkie inne polecenia.

Jak włączyć funkcję Kanał Punch Through:

- Nacisnąć żądany przycisk urządzenia (np. TV).
- Przytrzymać przycisk "PROG+".
- Nacisnąć żądany przycisk urządzenia (np. SAT).
- Zwolnić przycisk "PROG+" (dioda LED miga raz, gdy ustawienie jest aktywne).

Jak wyłączyć tryb przełączania kanałów Punch Through:

- Nacisnąć żądany przycisk urządzenia (np. TV).
- Przytrzymać przycisk "PROG-".
- Nacisnąć żądany przycisk urządzenia (np. SAT).
- Zwolnić przycisk "PROG-" (dioda LED miga dwa razy, gdy ustawienie zostaje dezaktywowane).

6.2 Tryb zmiany głośności Punch Through

Tryb zmiany głośności Punch Through umożliwia poleceniom VOL+ lub VOL- ominięcie aktualnie sterowanego urządzenia i regulację głośności na drugim urządzeniu. Nie ma to wpływu na wszystkie inne polecenia.

Jak włączyć tryb zmiany głośności Punch Through:

- Nacisnąć żądany przycisk urządzenia (np. TV).
- Przytrzymać przycisk "VOL+".
- Nacisnąć żądany przycisk urządzenia (np. SAT).
- Zwolnić przycisk "VOL+" (dioda LED miga raz, gdy ustawienie jest aktywne).

Jak wyłączyć tryb przełączania kanałów Punch Through:

- Nacisnąć żądany przycisk urządzenia (np. TV).
- Przytrzymać przycisk "VOL-".
- Nacisnąć żądany przycisk urządzenia (np. SAT).
- Zwolnić przycisk "VOL-" (dioda LED miga dwa razy, gdy ustawienie zostaje dezaktywowane).

6.3 Macro Power

Dzięki Macro Power można jednocześnie włączać/wyłączać dwa urządzenia AV.

Jak włączyć funkcję Macro Power:

- Nacisnąć żądany przycisk urządzenia (np. TV).
- Przytrzymać przycisk "POWER".
- Nacisnąć żądany przycisk urządzenia (np. SAT).
- Zwolnić przycisk "POWER" (dioda LED miga raz, gdy ustawienie jest aktywne).

Jak wyłączyć funkcję Macro Power:

- Nacisnąć żądany przycisk urządzenia (np. TV).
- Przytrzymać przycisk "POWER".
- Nacisnąć żądany przycisk urządzenia (np. SAT).
- Zwolnić przycisk "POWER" (dioda LED miga dwa razy, gdy ustawienie zostaje dezaktywowane).

7. Konserwacja

- Nigdy nie używać jednocześnie starych i nowych baterii w pilocie uniwersalnym, ponieważ stare baterie często wyciekają, co prowadzi do uszkodzeń.
- Nigdy nie czyścić pilota uniwersalnego środkami ściernymi ani silnymi środkami czyszczącymi.
- Pilota uniwersalnego należy chronić przed kurzem, czyszcząc go suchą i miękką szmatką.

8. Usuwanie usterek

P. Mój pilot uniwersalny nie działa!

O. Należy sprawdzić urządzenie AV. Jeśli wyłącznik główny urządzenia jest wyłączony, pilot uniwersalny nie może obsługiwać urządzenia.

O. Sprawdzić, czy baterie są prawidłowo włożone i czy uwzględniono biegunowość.

O. Sprawdzić, czy naciśnięto odpowiedni przycisk urządzenia dla tego urządzenia.

O. Baterie należy wymieniać, gdy są słabe.

P. Jeśli w przypadku marki mojego urządzenia AV jest wiele kodów urządzeń, jak wybrać prawidłowy kod urządzenia?

O. Aby ustalić prawidłowy kod urządzenia dla danego urządzenia AV, należy sprawdzać kody jeden po drugim, aż większość przycisków będzie działać poprawnie.

P. Moje urządzenie AV reaguje tylko na kilka poleceń testowych.

O. Należy wypróbować inne kody, aż większość przycisków będzie działać poprawnie.

P. Marka mojego urządzenia AV nie jest wymieniona na liście kodów.

O. W takiej sytuacji należy skorzystać z ręcznego wyszukiwania kodów (rozdział 5.2) lub automatycznego wyszukiwania kodów (rozdział 5.3). Podczas wyszukiwania kodów sprawdzane są wszystkie kody dla typu urządzenia niezależnie od producenta, np. wszystkie kody do odbiorników SAT niezależnie od producenta.

P. Wszystkie istniejące kody marki mojego urządzenia AV z listy kodów zostały wypróbowane, ale żaden z wymienionych kodów nie działa.

O. W takiej sytuacji należy skorzystać z ręcznego wyszukiwania kodów (rozdział 5.2) lub automatycznego wyszukiwania kodów (rozdział 5.3). Podczas wyszukiwania kodów sprawdzane są wszystkie kody dla typu urządzenia niezależnie od producenta, np. wszystkie kody do odbiorników SAT niezależnie od producenta.

9. Wyłączenie odpowiedzialności z tytułu gwarancji

Hama GmbH & Co KG nie ponosi odpowiedzialności i nie udziela żadnej gwarancji z tytułu szkód wynikających z niewłaściwego montażu, instalacji, niewłaściwego użytkowania urządzenia ani z tytułu szkód wynikających z postępowania niezgodnie z instrukcją obsługi i wskazówkami bezpieczeństwa.

H Használati útmutató

Univerzális távirányító

Köszönjük, hogy a Hama termékét választotta. Szánjon rá időt és először olvassa el az alábbi utasításokat, információkat. Biztonságos helyen őrizze meg az útmutatót későbbi használatra is.

Funkciógombok (4 in 1, 8 in 1 modellek)

1. Némító kapcsoló
2. Eszkövválasztó gombok
3. Szöveg BE: Teletextet bekapcsol
4. Megállít: Jelenlegi teletext oldalt megtart
5. ◀◀ Visszateker/piros
 - ▶▶ Lejátszás/sárga
 - ▶▶ Gyors előre/kék
 - Felvétel indul
 - Stopp/zöldSzünet/magenta
6. Shift gomb
7. Menü: Eszközmenüt megnyit
8. Mód gomb a másodlagos eszközcsoporthoz kiválasztásához (csak 8 in 1-ben modell: AUX, DVBT, CBL, AMP)
9. Vol+/Vol-: Hangerőszabályozó
10. Beállítás: Távirányító beállítások
11. Számgombok 0–9
12. Smart TV: Nyissa meg a Smart TV menüt (ha az eszköz támogatja)
Shift+Smart TV: Válasszon külső AV forrást
13. ALKALMAZÁSOK: App (alkalmazás) menüt megnyit (ha az eszköz támogatja)
Shift+APPS: Kétjegyű csatornaszámokra vált
14. PROG+/PROG-: Programválasztás, fel/le
15. EXIT: Kilépés az eszközmenüből
16. OK: Kiválasztást megerősít
17. EPG: Elektronikus programfüzet (ha a kiválasztott AV eszköz támogatja)
18. Információ: Képernyő-információk (ha az AV eszköz támogatja)
19. Szöveg KI: Kilép a teletextből
20. Bekapcsolás: BE/KI / LED

1. Figyelmeztető jelek és megjegyzések magyarázata

Figyelmeztetés



A biztonsági utasítások jelölésére használjuk, illetve hogy felhívjuk a figyelmet a különleges veszélyekre és kockázatokra.

Megjegyzés



Akkor használjuk, ha kiegészítő információkat közlünk, vagy fontos tudnivalókra hívjuk fel a figyelmet.

2. Szállítási tartalom

- Univerzális távirányító
- Kódlista
- Használati útmutató
- 2 db AAA elem

3. Biztonsági utasítások

- Ne használja az univerzális távirányítót nedves környezetben, és kerülje a fröccsenő vízzel érintkezést.
- Hőforrástól tartsa távol az univerzális távirányítót, és ne tegye ki közvetlen napfénynek.
- Az univerzális távirányító, mint minden elektromos készülék, nem való gyermekek kezébe.
- A termék magán, nem üzleti célú alkalmazásra készül.
- A terméket kizárólag a rendeltetési céljára használja.
- Óvja a terméket szennyeződéstől, nedvességtől és túlmelegedéstől, és kizárólag száraz helyen használja.
- Ne használja a terméket olyan helyen, ahol elektronikus készülékek használata nem megengedett.
- Ne ejtse le a terméket és ne tegye ki erős rázkódásnak.
- Ne végezzen semmilyen módosítást a terméken. Ebben az esetben minden garanciaigény megszűnik.
- Feltétlenül tartsa távol a gyermekeket a csomagolóanyagtól, mert fulladásveszély áll fenn.
- Azonnal selejtezze le a csomagolóanyagot a helyileg érvényes hulladékkezelési előírások szerint.
- Ne üzemeltesse a terméket a műszaki adatokban megadott teljesítményhatárokon túl.
- Ne nyissa ki a terméket, és sérülés esetén ne üzemeltesse tovább.
- Ne kísérelje meg a készüléket saját kezűleg karbantartani vagy megjavítani. Minden karbantartási munkát bízson illetékes szakemberre.
- A terméket csak mérsékelt időjárási körülmények között használja.

Figyelmeztetés – elemek



- Feltétlenül ügyeljen az elemek megfelelő polarítására (+ és - felirat), és ennek megfelelően tegye be őket. Ennek figyelmen kívül hagyása esetén az elem kifolyásának vagy felrobbanásának veszélye áll fenn.
- Kizárólag a megadott típusnak megfelelő elemeket használjon. Őrizze meg az eszközök használati útmutatójában található információkat az elemek helyes kiválasztására vonatkozóan, hogy később is tájékozódhasson.
- Az elem behelyezése előtt tisztítsa meg az elemérintkezőket és az ellenérintkezőket.
- Ne engedje meg a gyermekeknek az elemcserét felügyelet nélkül.
- Egy készlet elemeit egyidejűleg cserélje ki.
- Ne használja együtt a használt és az új elemeket, illetve a különböző típusú vagy gyártótól származó elemeket.
- Távolítsa el az elemeket azokból a termékekből, amelyeket hosszabb ideig nem használ (kivéve, ha ezeket vészhelyzet esetére kéznél tartja).
- Ne zárja rövidre az elemeket.
- Ne töltsen fel az elemeket.
- Az elemeket ne dobja tűzbe és ne melegítse fel.
- Soha ne nyissa fel, ne rongálja meg vagy nyelje le az elemeket, és ne engedje, hogy a környezetbe jussanak. Mérgező és környezetkárosító nehézfémeket tartalmazhatnak.
- Haladéktalanul vegye ki a lemerült elemeket a termékből, majd selejtezze le őket.
- A terméket ne tárolja, ne töltsen és ne használja szélsőséges hőmérsékleteken, ill. szélsőségesen alacsony légnyomáson (pl. jelentős tengerszint feletti magasságban).
- Ügyeljen arra, hogy a sérült burkolatú elemek ne érintkezzenek vízzel.
- Az elemeket tartsa távol a gyermekektől.



4. Első műveletek – Elemek berakása

Megjegyzés



- Alkáli elem ajánlott. Használjon két darab AAA típusú (LR 03/Micro) elemet.
- Távolítsa el az univerzális távirányító hátulján az elemtartó tetőt (A).
- Helyezze be az elemeket a polaritás "+/-" jelének figyelembevételével (B).
- Zárja be az elemtartót (C).

Megjegyzés: Kódmemória



- Az elemek cseréjekor az Ön által programozott összes kód legfeljebb 10 percig tárolódik. Vigyázzon, ne nyomjon meg egyetlen gombot sem addig, amíg az új elemeket a távirányítóba nem tette. Ha megnyom egy gombot és nincs elem a távirányítóban, az összes kódot törli.

Megjegyzés: Energiatakarékos funkció



- A távirányító automatikusan kikapcsol, ha bármelyik gombot több mint 15 másodpercig nyomva tartja. Meghosszabbítja az elemek élettartamát, ha a távirányító olyan helyre kerül, amely folyamatosan nyomja a gombokat, pl. kanapépárnák közé.

5. Beállítás

Megjegyzés



- A megfelelő infravörös átvitelhez irányítsa közvetlenül a távirányítót a működtetni kívánt eszköz felé.
- Nyomja meg a MODE gombot a másodlagos eszközcsoport kiválasztásához: AUX, AMP, DVB-T, CBL (csak a 8 in 1 modellnél).
- Nyomja meg a SHIFT gombot a kék funkciógombok vezérléséhez. A shift funkció kikapcsol, ha még egyszer SHIFT gombot nyom vagy 30 másodperc után automatikusan, ha egy gombot sem nyom meg.
- Ha 30 másodpercen belül nem történik bevitel, a SETUP mód automatikusan befejeződik. A LED hatszor villan, majd kialszik.
- Minden készüléktípus bármilyen készüléggel programozható, pl. televízió programozható DVD-vel, AUX-szel stb.
- Az univerzális távirányítóval ellátott készülék addig nem működtethető, amíg beállítási módban van. Lépjen ki a beállítási módból, és az eszközválasztó gombokkal válassza ki a kezelni kívánt eszközt.
- Kérjük, vegye figyelembe, hogy a távirányító infravörös jeleket bocsát ki. Ezek a jelek az emberi szem számára nem láthatók.

5.1 Közvetlen kódbevitel

Az univerzális távirányító szállítási csomagja kódlistát is tartalmaz. A kódlista öt-számjegyű kódokat tartalmaz a távirányító beállításához a legtöbb AV készülégyártó számára. Az egyszerű tájékozódás érdekében a kódokat először eszköztípus (TV, DVD stb.) szerint és az eszköztípuson belül ábécé sorrendben, márkanév szerint rendezzi.

A következő QR-kódon keresztül létrehozhatja az eszköze márkájához elérhető kódok listáját.



<https://support.hama.com/codefinder>

- 5.1.1 Kapcsolja be a kezelendő készüléket.
- 5.1.2 Nyomja addig a SETUP gombot, amíg a LED folyamatosan világít.
- 5.1.3 A készülékgombbal válassza ki a kezelni kívánt eszközt (pl. TV-t). Ha a kiválasztás sikeres, a LED egyet villan, majd folyamatosan világít.
- 5.1.4 Keresse ki a kezelni kívánt eszközt márka és típus szerint a kódlistán.
- 5.1.5 Írja be a megfelelő ötjegyű kódot a 0–9 számgombokkal. A LED rövid villanással megerősíti az egyes számjegyek beírását, és az ötödik szám után kialszik.
- 5.1.6 Ezután tesztelje a távirányítót, és ellenőrizze, hogy a kívánt funkciók vezérelhetők-e. Lehet, hogy nem az első a legmegfelelőbb kód, esetleg nem érhető el minden funkció. Ilyenkor próbálkozzon a következő kóddal, amelyet a kiválasztott eszköztípushoz/-márkához ad meg a lista.

Megjegyzés

- Az érvényes kódot automatikusan elmenti.
- Ha a kód érvénytelen, a LED hatszor villan, majd kialszik. Ismétlje meg az 5.1.1–5.1.5 lépéseket vagy használjon más kódbeviteli módszert.

5.2 Kézi kódkeresés

Az univerzális távirányító belső memóriával rendelkezik, amely eszköztípusonként akár 350 kódot tartalmaz a leggyakoribb AV eszközökhöz. Addig próbálgassa a kódokat, amíg a működtetni kívánt eszköz nem válaszol. Például a kezelendő eszköz kikapcsol (POWER gomb) vagy adót vált (PROG+/PROG- gomb).

- 5.2.1 Kapcsolja be a kezelendő készüléket.
- 5.2.2 Nyomja addig a SETUP gombot, amíg a LED folyamatosan világít.
- 5.2.3 A készülékgombbal válassza ki a kezelni kívánt eszközt (pl. TV-t). Ha a kiválasztás sikeres, a LED egyet villan, majd folyamatosan világít.
- 5.2.4 Nyomja addig a POWER vagy a PROG+/PROG- gombot az előre beállított kódok közötti lapozáshoz, amíg nem reagál a működtetni kívánt eszköz.
- 5.2.5 Nyomja meg az OK gombot a kód mentéséhez és a kódkeresésből való kilépéshez. A LED kialszik.

- 5.2.6 Ezután tesztelje a távirányítót, és ellenőrizze, hogy a kívánt funkciók vezérelhetők-e. Lehet, hogy az elsőre talált kód nem a legmegfelelőbb, esetleg nem érhető el minden funkció. Ilyenkor ismétlje meg az 5.2.1–5.2.5 lépést. A kódkeresés az utoljára mentett kód utánival kezdődik.

Megjegyzés

- A legelterjedtebb eszközök legfeljebb 350 kódja tárolható a belső memóriában. A piacon elérhető AV eszközök nagy száma miatt csak a leggyakoribb fő funkciók érhetők el. Ha ilyen eszköze van, kompatibilisebb kód megtalálásához ismétlje meg az 5.2.1–5.2.5 lépéseket. Előfordulhat, hogy speciális eszközmodellekre nem érhető el a kód.

5.3 Automatikus kódkeresés

Az automatikus kódkeresés ugyanazokat az előre beállított kódokat használja, mint a kézi kódkeresés (5.2). Az univerzális távirányító azonban automatikusan addig keres a kódok között, amíg az üzemeltetendő eszköz választ nem jelez. Például a kezelendő eszköz kikapcsol (POWER gomb) vagy adót vált (PROG+/PROG- gomb).

- 5.3.1 Kapcsolja be a kezelendő készüléket.
- 5.3.2 Nyomja addig a SETUP gombot, amíg a LED folyamatosan világít.
- 5.3.3 A készülékgombbal válassza ki a kezelni kívánt eszközt (pl. TV-t). Ha a kiválasztás sikeres, a LED egyet villan, majd folyamatosan világít.
- 5.3.4 Nyomja meg a PROG+/PROG- vagy a POWER gombot az automatikus kódkeresés indításához. A LED egyszer villan, majd folyamatosan világít. 6 másodpercig tart, amíg az univerzális távirányító megkezdi az első keresést.

Megjegyzés:

Keresési sebesség beállítása

- A kódkeresési idő alapbeállítása 1 másodperc. Ha ez nem felel meg Önnek, 3 másodperc kódkeresési időre válthat. A keresési idők közötti váltáshoz nyomja meg a PROG+ vagy a PROG- gombot az automatikus kódkeresés kezdése előtti 6 másodpercen belül.

- 5.3.5 A LED felvillanása erősíti meg a választott kódkeresést.
- 5.3.6 Amint az üzemeltetendő eszköz válaszol, nyomja meg az OK gombot a kód mentéséhez és a kódkeresésből való kilépéshez. A LED kialszik.
- 5.3.7 Ezután tesztelje a távirányítót, és ellenőrizze, hogy a kívánt funkciók vezérelhetők-e. Lehet, hogy az elsőre talált kód nem a legmegfelelőbb, esetleg nem érhető el minden funkció. Ilyenkor ismétlje meg az 5.3.1–5.3.6 lépést. A kódkeresés az utoljára mentett kód utánival kezdődik.

5.3.8 Az automatikus keresés megszakításához nyomja meg az EXIT gombot.

Megjegyzés



- Ha sikertelen az összes kód átnézése, az univerzális távirányító kilép az automatikus kódkeresésből és automatikusan visszatér az üzemmódba. A jelenleg mentett kód változatlanul megmarad.

5.4 Kódfelismerés

A kódfelismerés lehetővé teszi az elmentett kód meghatározását.

5.4.1 Nyomja addig a SETUP gombot, amíg a LED folyamatosan világít.

5.4.2 A készülékgombbal válassza ki a kezelni kívánt eszközt (pl. TV-t). Ha a kiválasztás sikeres, a LED egyet villan, majd folyamatosan világít.

5.4.3 Nyomja meg a SETUP gombot. A LED egyszer villan, majd folyamatosan világít.

5.4.4 Az első számjegy megkereséséhez nyomjon egy számgombot 0 és 9 között. A LED egyet villan az ötjegyű kódszám első számjegyénél.

5.4.5 Ismételje meg az 5.4.4 lépést a második, harmadik, negyedik és ötödik számjegyhez is.

5.4.6 Utána beírhatja az alábbi táblázatban lévő kódot, ha később még szüksége lesz rá (pl. távvezérlő beállítások véletlen törlése után).

KÓDOK			
TV	SOUND	STB	DVD
AUX	AMP	CBL	DVBT

6. Egyedi funkciók

6.1 Adó punch-through

Az áttörés funkció adóval a PROG+ vagy a PROG- parancsok megkerülhetik az éppen vezérelt eszközt és megváltoztathatják a második eszköz adóját. A többi parancsot ez nem érinti.

Az adó áttörés bekapcsolása:

- Nyomja meg a kívánt eszközgombot (pl. TV).
- Tartsa nyomva a PROG+ gombot.
- Nyomja meg a kívánt eszközgombot (pl. SAT).
- Engedje el a PROG+ gombot (a LED egyszer villog, ha aktív a beállítás).

Az adó áttörésfunkció kikapcsolása:

- Nyomja meg a kívánt eszközgombot (pl. TV).
- Tartsa nyomva a PROG- gombot.
- Nyomja meg a kívánt eszközgombot (pl. SAT).
- Engedje el a PROG+ gombot (a LED egyszer villog, ha kikapcsolt a beállítás).

6.2 Hangerő áttörés (punch-through)

A hangerő áttörés funkcióval a VOL+ vagy VOL- parancs megkerülheti az éppen vezérelt eszközt és beállítja a második eszköz hangerejét. A többi parancsot ez nem érinti.

A hangerő áttörés funkció bekapcsolása:

- Nyomja meg a kívánt eszközgombot (pl. TV).
- Tartsa nyomva a VOL+ gombot.
- Nyomja meg a kívánt eszközgombot (pl. SAT).
- Engedje el a VOL+ gombot (a LED egyszer villan, ha aktív a beállítás).

Az adó áttörésfunkció kikapcsolása:

- Nyomja meg a kívánt eszközgombot (pl. TV).
- Tartsa nyomva a VOL- gombot.
- Nyomja meg a kívánt eszközgombot (pl. SAT).
- Engedje el a VOL+ gombot (a LED egyszer villog, ha kikapcsolt a beállítás).

6.3 Macro Power

A Macro Power segítségével egyszerre két AV eszközt kapcsolhat be és ki.

A Macro Power funkció bekapcsolása:

- Nyomja meg a kívánt eszközgombot (pl. TV).
- Tartsa nyomva a POWER gombot.
- Nyomja meg a kívánt eszközgombot (pl. SAT).
- Engedje el a POWER gombot (a LED egyszer villog, ha aktív a beállítás).

A Macro Power funkció kikapcsolása:

- Nyomja meg a kívánt eszközgombot (pl. TV).
- Tartsa nyomva a POWER gombot.
- Nyomja meg a kívánt eszközgombot (pl. SAT).
- Engedje el a POWER gombot (a LED egyszer villog, ha kikapcsolt a beállítás).

7. Karbantartás

- Ne használjon vegyesen régi és új elemet az univerzális távirányítóhoz, mivel a régi elemek szivároghatnak és teljesítményvesztést okozhatnak.
- Az univerzális távirányítót ne tisztítsa súrolószerezrel vagy karcos hatású tisztítószerezrel.

-
- Tartsa az univerzális távirányítót pormentesen és száraz, puha kendővel tisztítsa.

8. Hibaelhárítás

- F. Az univerzális távirányítóm nem működik!
- A. Ellenőrizze az AV eszközt. Ha az eszköz főkapcsolója ki van kapcsolva, az univerzális távirányító nem tudja működtetni.
- V. Ellenőrizze, hogy az elemek megfelelően, a polaritás figyelembevételével vannak-e behelyezve.
- V. Ellenőrizze, hogy megnyomta-e az eszköz megfelelő eszközgombját.
- V. Cserélje ki az elemeket, ha lemerültek.
- K. Hogyan válasszam ki a megfelelő eszközkódot, ha az AV eszközmárkában több eszközkód szerepel?
- V. Az AV eszköz helyes készülékkódjának meghatározásához addig ellenőrizze egyesével a kódokat, amíg a legtöbb gomb megfelelően működik.
- K. Az AV eszközöm csak néhány gombparancsra reagál.
- V. Addig próbáljon ki más kódokat, amíg a gombok többsége megfelelően nem működik.
- K. AV eszközöm márkája nem szerepel a kódlistában.
- V. Használja ilyenkor a kézi kódkeresést (5.2 fejezet) vagy az automatikus kódkeresést (5.3 fejezet). A kódkeresés során az eszköztípus összes gyártói kódját teszteli, például a SAT vevőkészülékek összes kódját, gyártótól függetlenül.
- K. Kipróbáltam az AV eszköz márkájához tartozó összes kódot a kódlistából, de az említett kódok egyike sem működik.
- V. Használja ilyenkor a kézi kódkeresést (5.2 fejezet) vagy az automatikus kódkeresést (5.3 fejezet). A kódkeresés során az eszköztípus összes gyártói kódját teszteli, például a SAT vevőkészülékek összes kódját, gyártótól függetlenül.

9. Felelősség kizárása

A Hama GmbH & Co KG semmilyen felelősséget vagy szavatosságot nem vállal a termék szakszerűtlen telepítéséből, szereléséből és szakszerűtlen használatából, vagy a használati útmutató és/vagy a biztonsági utasítások be nem tartásából eredő károkért.

Telecomanda universală

Vă mulțumim pentru faptul că v-ați decis în favoarea achiziționării unui produs Hama.

Vă rugăm să vă luați timpul necesar pentru a citi următoarele instrucțiuni și informații în totalitate. Vă rugăm să păstrați aceste instrucțiuni într-un loc sigur, pentru o consultare ulterioară.

Taste funcționale (modelele 4 în 1, 8 în 1)

1. Comutator pentru mut
2. Taste pentru selectarea aparatului
3. Text PORNIT: conectare Teletext
4. Menținere: se menține pagina actuală de teletext
5. ◀◀ Înapoi/roșu
 - ▶ Redare/galben
 - ▶▶ Rapid înainte/albastru
 - Pornire înregistrare
 - Oprit/verde
 - || Pauză/magenta
6. Tasta Shift
7. Meniu: deschideți meniul aparatului
8. Tasta de mod pentru selectarea grupe secundare de aparate (numai modelul 8 în 1: AUX, DVBT, CBL, AMP)
9. Vol+/Vol-: reglarea volumului
10. Setarea: setările telecomenzii
11. Tastele cifrelor 0–9
12. Smart TV: deschideți meniul Smart TV (dacă este susținut de terminal)
Shift+Smart TV: selectați sursa AV externă
13. APPS: deschideți meniul aplicației (dacă este susținut de terminal)
Shift+APPS: comutați la posturile cu număr cu două poziții
14. PROG+/PROG-: selectarea programelor în sus/în jos
15. EXIT: părăsiți meniul aparatului
16. OK: confirmați selecția
17. EPG: ghid electronic de programe (dacă este susținut de aparatul AV selectat)
18. Info: informații on-screen (dacă sunt susținute de aparatul AV)
19. Text OPRIT: părăsirea teletextului
20. Power: PORNIT/OPRIT / LED

1. Explicarea simbolurilor de avertizare și a indicațiilor**Avertizare**

Este utilizat pentru a marca indicațiile de securitate sau pentru a atrage atenția asupra pericolelor și riscurilor speciale.

Indicație

Este utilizat pentru a marca suplimentar informații sau indicații importante.

2. Pachetul de livrare

- Telecomanda universală
- Lista de coduri
- Aceste instrucțiuni de utilizare
- 2x baterii AAA

3. Indicații de securitate

- Nu utilizați telecomanda universală în medii umede și evitați contactul cu stropii de apă.
- Țineți telecomanda universală departe de sursele de căldură și nu o expuneți razelor directe ale soarelui.
- Telecomanda universală, ca toate aparatele electrice nu are ce căuta pe mâinile copiilor.
- Produsul este conceput pentru utilizare privată și nu profesională.
- Utilizați produsul numai pentru scopul prevăzut pentru acesta.
- Protejați produsul de murdărie, umiditate și supraîncălzire și utilizați-l numai în spații uscate.
- Nu folosiți produsul în zone unde nu sunt admise aparate electronice.
- Nu lăsați produsul să cadă și nici nu îl expuneți unor vibrații puternice.
- Nu aduceți modificări produsului. În acest fel pierdeți orice drept la garanție.
- Țineți copiii neapărat departe de ambalaje, deoarece există pericol de sufocare.
- Eliminați ambalajele imediat, conform prescripțiilor locale valabile de eliminare a deșeurilor.
- Operați produsul numai în limita capacităților sale indicate în cadrul datelor tehnice.
- Nu deschideți produsul și nu continuați să îl operați, dacă prezintă deteriorări.
- Nu încercați să reparați sau să întrețineți produsul în regie proprie. Orice lucrări de întreținere sunt executate numai de personal de specialitate responsabil.
- Utilizați articolul numai în condiții climatice moderate.

Avertizare – bateriile



- Acordați atenție în mod obligatoriu la polaritatea corectă (marcajele + și -) și introduceți bateriile corespunzător acestora. În cazul nerespectării vă expuneți pericolului scurgerilor sau exploziei bateriilor.
- Utilizați numai baterii corespunzătoare tipului indicat. Pentru selectarea corectă a bateriilor, păstrați indicațiile care se află în instrucțiunile de utilizare ale dispozitivelor, pentru consultare ulterioară.
- Înaintea introducerii bateriilor vă rugăm să curățați contactele acestora precum și contactele opuse.
- Nu permiteți copiilor să schimbe bateriile nesupravegheați.
- Înlocuiți simultan toate bateriile unui set.
- Nu amestecați bateriile vechi cu cele noi, precum și baterii de diferite tipuri și producători diferiți.
- Îndepărtați bateriile din produsele, care nu sunt utilizate o perioadă mai lungă de timp (cu excepția situației în care le păstrați disponibile pentru situații de urgență).
- Nu scurtcircuitați bateriile.
- Nu încărcați bateriile.
- Nu aruncați bateriile în foc și nu le încălziți.
- Bateriile nu se deschid, nu se deteriorează, nu se înghit și nu se aruncă în mediul înconjurător. Pot conține metale grele și toxice nocive mediului înconjurător.
- Îndepărtați și salubrizați imediat bateriile folosite din produs.
- Evitați depozitarea, încărcarea și utilizarea la temperaturi extreme și la o presiune extrem de mică a aerului (ca de ex. la înălțimi foarte mari).
- Asigurați-vă că bateriile cu carcasa deteriorată nu intră în contact cu apa.
- Păstrați bateriile astfel încât să nu fie la îndemâna copiilor.



4. Primii pași – Introducerea bateriilor

Indicație



- Se recomandă utilizarea bateriilor alcaline. Utilizați două baterii de tip "AAA" (LR 03/Micro).
- Îndepărtați capacul compartimentului bateriilor de pe spatele telecomenzii universale (A).
- Introduceți bateriile luând în considerare marcajul "+/-" referitor la polaritate (B).
- Închideți compartimentul bateriilor (C).

Indicație: memoria de coduri



- La înlocuirea bateriilor rămân toate codurile programate memorate până la 10 minute. Aveți grijă să nu apăsați nicio tastă, până ce nu ați introdus bateriile noi în telecomandă. Dacă apăsați o tastă, iar în telecomandă nu se găsesc baterii, toate codurile sunt șterse.

Indicație: funcția de economie de energie



- Telecomanda se oprește automat, dacă o tastă este apăsată mai mult de 15 secunde. Aceasta prelungește durata de exploatare a bateriilor, în cazul în care telecomanda se înșepenește într-un loc în care tastele sunt apăsată permanent, de ex. între pernele unei canapele.

5. Setarea

Indicație



- Țineți telecomanda întotdeauna în direcția aparatului operat pentru a asigura transmiterea corespunzătoare a razelor infraroșii.
- Apăsați tasta "MODE" pentru a selecta grupul de aparate secundare: AUX, AMP, DVB-T, CBL (numai la modelul 8 în 1).
- Apăsați tasta "SHIFT" pentru a comanda tastele funcționale albastre. Funcția Shift este dezactivată printr-o nouă apăsare a tastei "SHIFT" sau este dezactivată automat, dacă nu este apăsată nicio tastă timp de 30 de secunde.
- Dacă nu are loc nicio introducere timp de 30 de secunde, modul de SETARE este părăsit automat. LED-ul se aprinde intermitent de șase ori, după care se stinge.
- Fiecare tip de aparat poate să fie programat prin intermediul unei taste aleatorii a aparatului, de ex. este posibilă programarea unui televizor de la DVD, AUX etc.
- Nu puteți opera un aparat cu ajutorul telecomenzii universale atâta timp cât acestea se află în modul de setare. Părăsiți modul de Setare și selectați aparatul, pe care doriți să îl operați prin intermediul tastelor pentru selectarea aparatului.
- Vă rugăm să aveți în vedere faptul că telecomanda transmite semnale infraroșii. Acestea nu sunt vizibile pentru ochiul uman.

5.1 Introducerea directă a codului

În pachetul telecomenzii universale se găsește o listă de coduri. Lista de coduri conține coduri cu cinci poziții pentru setarea telecomenzii la produsele celor mai mulți dintre producătorii de aparate AV. Pentru o orientare simplificată, codurile sunt sortate mai întâi în funcție de tipul de aparat (TV, DVD etc.) și în interiorul tipului de aparat alfabetic, în funcție de denumirea mărcii. Prin intermediul următorului cod QR puteți crea o listă a codurilor disponibile pentru marca dispozitivului dvs. final.



<https://support.hama.com/codefinder>

- 5.1.1 Porniți aparatul, pe care doriți să îl operați.
- 5.1.2 Apăsați tasta "SETUP", până când LED-ul luminează permanent.
- 5.1.3 Selectați aparatul, care trebuie operat prin intermediul tastei de aparat (de ex. TV). În cazul unei selecții reușite, LED-ul luminează o dată, după care luminează permanent.
- 5.1.4 Căutați marca și tipul aparatului de operat în lista de coduri.
- 5.1.5 Introduceți codul corespunzător cu cinci poziții prin intermediul tastaturii numerice 0–9. LED-ul confirmă introducerea cifrelor individuale prin aprinderea intermitentă scurtă și se stinge după a cincea cifră.
- 5.1.6 Testați în încheiere telecomanda și verificați, dacă funcțiile dorite pot fi comandate. Este posibil ca primul cod să nu fie cel mai adecvat, este posibil să nu fie disponibile toate funcțiile. Încercați în această situație următorul cod din listă, pentru tipul/marca de aparat selectată.

Indicație

- Un cod valabil este salvat în mod automat.
- În cazul unui cod nevalabil, LED-ul se aprinde de șase ori intermitent, după care se stinge. Repetați pașii 5.1.1 până la 5.1.5, sau utilizați o altă metodă pentru introducerea codului.

5.2 Căutarea manuală a codurilor

Telecomanda universală dispune de o memorie internă, în care sunt deja incluse până la 350 de coduri pentru fiecare tip de aparat, pentru cele mai uzuale aparate AV. Puteți parcurge codurile, până ce aparatul operat prezintă o reacție. De exemplu, aparatul operat se oprește (tasta "POWER") sau schimbă postul (tastele "PROG+/PROG-").

- 5.2.1 Porniți aparatul, pe care doriți să îl operați.
- 5.2.2 Apăsați tasta "SETUP" până când LED-ul luminează permanent.
- 5.2.3 Selectați aparatul, care trebuie operat prin intermediul tastei de aparat (de ex. TV). În cazul unei selecții reușite, LED-ul luminează o dată, după care luminează permanent.
- 5.2.4 Apăsați tasta "POWER" sau "PROG+/PROG-", pentru a naviga prin codurile presetate, până ce aparatul operat prezintă o reacție.
- 5.2.5 Apăsați pe "OK", pentru a salva codul și pentru a părăsi căutarea codurilor. LED-ul se stinge.
- 5.2.6 Testați în încheiere telecomanda și verificați, dacă funcțiile dorite pot fi comandate. Este posibil ca primul

cod găsit să nu fie cel mai adecvat, este posibil să nu fie disponibile toate funcțiile. Repetați în această situație pașii 5.2.1–5.2.5. Căutarea codului începe cu următorul cod, care îi urmează celui salvat ultimul.

Indicație

- În memoria internă pot fi stocate maxim 350 de coduri ale celor mai uzuale aparate. Datorită numărului mare de aparate AV disponibile pe piață este posibil ca numai cele mai uzuale funcții principale să fie disponibile. În această situație, repetați pașii 5.2.1 până la 5.2.5, pentru a găsi un cod mai compatibil. Pentru unele modele speciale de aparate este posibil să nu fie disponibil niciun cod.

5.3 Căutarea automată a codurilor

Căutarea automată a codurilor utilizează aceleași coduri presetate ca și căutarea manuală a codurilor (5.2). Telecomanda universală caută codurile însă automat, până ce aparatul operat reacționează. De exemplu, aparatul operat se oprește (tasta "POWER") sau schimbă postul (tastele "PROG+/PROG-").

- 5.3.1 Porniți aparatul, pe care doriți să îl operați.
- 5.3.2 Apăsați tasta "SETUP", până când LED-ul luminează permanent.
- 5.3.3 Selectați aparatul, care trebuie operat prin intermediul tastei de aparat (de ex. TV). În cazul unei selecții reușite, LED-ul luminează o dată, după care luminează permanent.
- 5.3.4 Apăsați tasta "PROG+/PROG-" sau "POWER", pentru a porni căutarea automată a codurilor. LED-ul se aprinde intermitent o singură dată, după care luminează permanent. Durează 6 secunde până ce telecomanda universală începe prima căutare.

Indicație:**setarea vitezei de căutare**

- Setarea standard pentru timpul de căutare pe cod este de câte 1 secundă. Dacă nu sunteți mulțumit de acest timp, puteți comuta la un timp de căutare de 3 secunde pentru fiecare cod. Pentru a comuta între timpii de căutare, apăsați "PROG+" sau "PROG-" pe parcursul a 6 secunde înainte de începerea căutării automate a codurilor.

5.3.5 LED-ul confirmă căutărilor respective de coduri printr-o singură aprindere intermitentă.

5.3.6 De îndată ce aparatul operat prezintă o reacție, apăsați tasta "OK" pentru a salva codul și pentru a părăsi căutarea codurilor. LED-ul se stinge.

5.3.7 Testați în încheiere telecomanda și verificați, dacă funcțiile dorite pot fi comandate. Este posibil ca primul cod găsit să nu fie cel mai adecvat, este posibil să nu fie disponibile toate funcțiile. Repetați în această situație pașii 5.3.1–5.3.6.

Căutarea codului începe cu următorul cod, care îi urmează celui salvat ultimul.

5.3.8 Pentru a întrerupe căutarea automată pe parcursul procesului de căutare, apăsați tasta "EXIT".

Indicație

- În cazul în care au fost căutate toate codurile fără succes, telecomanda universală părăsește căutarea automată a codurilor și revine automat în modul de operare. Codul salvat la momentul actual rămâne nemodificat.

5.4 Recunoașterea codurilor

Recunoașterea codurilor vă oferă posibilitatea de a determina un cod deja salvat de către dvs.

5.4.1 Apăsați tasta "SETUP", până când LED-ul luminează permanent.

5.4.2 Selectați aparatul, care trebuie operat prin intermediul tastei de aparat (de ex. TV). În cazul unei selecții reușite, LED-ul luminează o dată, după care luminează permanent.

5.4.3 Apăsați tasta "SETUP". LED-ul se aprinde intermitent o singură dată, după care luminează permanent.

5.4.4 Pentru căutarea primei cifre, apăsați tastele numerice de la 0 până la 9. LED-ul se aprinde o dată pentru prima cifră a numărului de cod cu cinci poziții.

5.4.5 Repetați pasul 5.4.4 pentru cifra a doua, a treia, a patra și a cincea.

5.4.6 Codul determinat îl puteți introduce mai apoi în tabelul din continuare, pentru situația în care mai aveți nevoie de el ulterior (de ex. după ștergerea accidentală a setărilor telecomenzii).

CODES			
TV	SOUND	STB	DVD
AUX	AMP	CBL	DVBT

6. Funcții speciale**6.1 Punch-Through posturi**

Cu ajutorul funcției de Punch-Through pentru posturi puteți eluda comenzile PROG+ sau PROG- ale aparatului comandat la momentul actual și să schimbați posturile unui al doilea aparat. Niciuna dintre celelalte comenzi nu este afectată.

Activați funcția Punch-Through pentru posturi după cum urmează:

- Apăsați tasta dorită a aparatului (de ex. TV).
- Țineți tasta "PROG+" apăsată.
- Apăsați tasta dorită a aparatului (de ex. SAT).
- Eliberați din nou tasta "PROG+" (LED-ul se aprinde intermitent o dată în cazul unei setări activate).

Dezactivați funcția Punch-Through pentru posturi după cum urmează:

- Apăsați tasta dorită a aparatului (de ex. TV).
- Țineți tasta "PROG-" apăsată.
- Apăsați tasta dorită a aparatului (de ex. SAT).
- Eliberați din nou tasta "PROG-" (LED-ul se aprinde intermitent de două ori în cazul unei setări dezactivate).

6.2 Punch-Through volum

Prin intermediul funcției de Punch-Through pentru volum puteți eluda comenzile VOL+ sau VOL- ale aparatului comandat la momentul actual și se poate seta volumul unui al doilea aparat. Niciuna dintre celelalte comenzi nu este afectată.

Activați funcția Punch-Through pentru volum după cum urmează:

- Apăsați tasta dorită a aparatului (de ex. TV).
- Țineți tasta "VOL+" apăsată.
- Apăsați tasta dorită a aparatului (de ex. SAT).
- Eliberați din nou tasta "VOL+" (LED-ul se aprinde intermitent o dată în cazul unei setări activate).

Dezactivați funcția Punch-Through pentru posturi după cum urmează:

- Apăsați tasta dorită a aparatului (de ex. TV).
- Țineți tasta "VOL-" apăsată.
- Apăsați tasta dorită a aparatului (de ex. SAT).
- Eliberați din nou tasta "VOL-" (LED-ul se aprinde intermitent de două ori în cazul unei setări dezactivate).

6.3 Macro Power

Cu Macro Power aveți posibilitatea de a porni/opri două aparate AV simultan.

Funcția Macro Power poate fi activată după cum urmează:

- Apăsați tasta dorită a aparatului (de ex. TV).
- Țineți tasta "POWER" apăsată.
- Apăsați tasta dorită a aparatului (de ex. SAT).
- Eliberați din nou tasta "POWER" (LED-ul se aprinde intermitent o dată în cazul unei setări activate).

Funcția Macro Power poate fi dezactivată după cum urmează:

- Apăsați tasta dorită a aparatului (de ex. TV).
- Țineți tasta "POWER" apăsată.
- Apăsați tasta dorită a aparatului (de ex. SAT).
- Eliberați din nou tasta "POWER" (LED-ul se aprinde intermitent de două ori în cazul unei setări dezactivate).

7. Întreținerea

- Nu utilizați niciodată baterii noi și vechi în același timp în telecomanda universală, deoarece bateriile vechi au tendința de a se scurge și de a duce la pierderi de capacitate.
- Nu curățați în niciun caz telecomanda universală cu substanțe abrazive sau cu detergenți caustici.
- Mențineți telecomanda universală curată, fără praf, prin ștergerea ei cu o lavetă uscată, moale.

8. Remedierea disfuncționalităților

F. Telecomanda mea universală nu funcționează!

A. Verificați aparatul AV. În cazul în care comutatorul principal al aparatului este decuplat, telecomanda universală nu poate opera aparatul.

A. Verificați dacă bateriile sunt introduse corect și dacă polaritatea este una corectă.

A. Verificați dacă ați apăsat tasta corespunzătoare a aparatului pentru aparatul în cauză.

A. Înlocuiți bateriile în cazul în care acestea sunt descărcate.

F. Dacă sunt enumerate mai multe coduri de aparat pentru aparatul meu AV, cum selectez codul de aparat corect?

A. Pentru a determina codul corect pentru aparatul AV, testați codurile în succesiune, până ce majoritatea tastelor funcționează corespunzător.

F. Aparatul meu AV reacționează numai la unele comenzi ale tastelor.

A. Încercați alte coduri, până ce majoritatea tastelor funcționează corespunzător.

F. Marca aparatului meu AV nu este indicată în lista de coduri.

A. Utilizați în această situație căutarea manuală a codurilor (capitolul 5.2) sau căutarea automată a codurilor (capitolul 5.3). În cadrul procesului de căutare coduri sunt parcurse toate codurile pentru un tip de aparat, indiferent de producător, deci toate codurile pentru un receptor SAT, de exemplu, indiferent de producătorul acestuia.

F. Am încercat toate codurile disponibile pentru marca aparatului meu AV din lista de coduri, dar nici unul dintre codurile indicate nu funcționează.

A. Utilizați în această situație căutarea manuală a codurilor (capitolul 5.2) sau căutarea automată a codurilor (capitolul 5.3). În cadrul procesului de căutare coduri sunt parcurse toate codurile pentru un tip de aparat, indiferent de producător, deci toate codurile pentru un receptor SAT, de exemplu, indiferent de producătorul acestuia.

9. Excluderea răspunderii

Hama GmbH & Co KG nu își asumă nicio răspundere sau garanție pentru daunele, ce rezultă din instalarea, montajul, utilizarea inadecvată a produsului sau nerespectarea instrucțiunilor de utilizare și/sau a indicațiilor de securitate.

Univerzální dálkové ovládání

Děkujeme, že jste se rozhodli pro zakoupení výrobku Hama. Najděte si čas a přečtěte si prosím kompletně následující pokyny a upozornění. Prosím uložte tento návod na bezpečném místě k pozdějšímu nahlédnutí.

Tlačítka funkcí (modely 4 in 1, 8 in 1)

1. Vypínání zvuku
2. Tlačítka k výběru zařízení
3. Text ZAP: Teletext zapnout
4. Zastavit: Aktuální teletextovou stránku zastavit
5. ◀◀ Zpětný běh/červená
 - ▶ Přehrávání/žlutá
 - ▶▶ Rychlý běh vpřed/modrá
 - Spuštění nahrávání
 - Stop/zelená
 - || Pauza/purpurová
6. Klávesa Shift
7. Menu: Otevřít menu zařízení
8. Klávesa režimu pro výběr sekundární skupiny zařízení (pouze model 8 in 1: AUX, DVBT, CBL, AMP)
9. Vol+/Vol-: Regulace hlasitosti
10. Setup: Nastavení dálkového ovládání
11. Číselkové klávesy 0–9
12. Smart TV: Otevřít menu Smart TV (pokud je koncovým zařízením podporováno)
Shift+Smart TV: Výběr externího AV zdroje
13. APPS: Otevřít menu App (pokud je koncovým zařízením podporováno)
Shift+APPS: Přejít ke dvoumístným číslům vysílačů
14. PROG+/PROG-: Výběr programů, nahoru/dolů
15. EXIT: Výstup z menu zařízení
16. OK: Výběr potvrdit
17. EPG: Elektronický průvodce programem (pokud je zvoleným AV zařízením podporován)
18. Informace: Informace On-Screen (pokud je funkce AV zařízením podporována)
19. Text VYP: Výstup z teletextu
20. Power: ZAP/VYP / LED

1. Vysvětlení výstražných symbolů a pokynů

Výstraha



Používá se pro označení bezpečnostních upozornění nebo pro upozornění na zvláštní nebezpečí a rizika.

Upozornění



Používá se pro označení dalších informací nebo důležitých pokynů.

2. Obsah dodávky

- Univerzální dálkové ovládání
- Seznam kódů
- Tento návod k obsluze
- 2x baterie AAA

3. Bezpečnostní pokyny

- Nepoužívejte univerzální dálkové ovládání ve vlhkých prostředích, a vyvarujte se kontaktu se stříkající vodou.
- Udržujte univerzální dálkové ovládání v odstupu od zdrojů tepla a nevystavujte ho žádnému přímému slunečnímu záření.
- Univerzální dálkové ovládání, stejně jako všechna elektrická zařízení, nepatří do dětských rukou.
- Výrobek je určen pro soukromé, nevýdělečné použití.
- Výrobek používejte výlučně k účelu, ke kterému byl stanoven.
- Chraňte výrobek před znečištěním, vlhkostí a přehřátím a používejte ho pouze v suchých prostorách.
- Výrobek nepoužívejte na místech, kde je používání elektronických zařízení zakázáno.
- Zabraňte pádu výrobku a výrobek nevystavujte silným otřesům.
- Na produktu neprovádějte žádné změny. Ztratíte tím jakékoli nároky na záruční plnění.
- Obalový materiál udržujte bezpodmínečně mimo dosah dětí, hrozí nebezpečí udušení.
- Obalový materiál likvidujte ihned podle platných místních předpisů o likvidaci.
- Výrobek neprovazujte mimo meze výkonu uvedené v technických údajích.
- Výrobek neotvírejte a v případě poškození ho již dále nepoužívejte.
- Nepokoušejte se výrobek sami ošetřovat nebo opravovat. Veškeré úkony údržby přenechejte příslušnému odbornému personálu.
- Výrobek používejte pouze v mírných klimatických podmínkách.

Varování – baterie



- Při vkládání baterií dbějte vždy správné polaroty (označení + a -) baterií a vložte je odpovídajícím způsobem. V případě nedodržení hrozí nebezpečí vytečení baterií nebo exploze baterií.
- Používejte výhradně baterie, které odpovídají uvedenému typu. Uchovávejte si upozornění pro správný výběr baterie, která jsou uvedena v návodech k obsluze zařízení, pro pozdější použití.
- Před vložením baterií vyčistěte kontakty baterie a protilehlé kontakty.
- Nedovolte dětem provádět výměnu baterií bez dozoru.
- Vždy vyměňte všechny baterie najednou.
- Staré a nové baterie nemíchejte, stejně tak nepoužívejte baterie různých typů a výrobců.
- Odstraňte baterie z produktů, které nebudou delší dobu používány (kromě případů, kdy jsou připraveny pro naléhavé situace).
- Baterie nepřemostujte.
- Baterie nenabíjejte.
- Neházejte baterie do ohně a nezahřívejte je.
- Baterie nikdy neotvírejte, nepoškozujte, nepolykejte a nevyhazujte do přírody. Mohou obsahovat jedovaté těžké kovy škodící životnímu prostředí.
- Vybité baterie neprodleně odstraňte z produktu a zlikvidujte je.
- Zabraňte skladování, nabíjení a používání při extrémních teplotách a při extrémně nízkém tlaku vzduchu (jako např. ve velkých výškách).
- Dbějte na to, aby se baterie s poškozeným tělem nedostaly do kontaktu s vodou.
- Baterie uchovávejte mimo dosah dětí.



4. První kroky – vložení baterií

Upozornění



- Doporučují se alkalické baterie. Používejte dvě baterie typu "AAA" (LR 03/Micro).
- Odstraňte kryt přihrádky na baterie na zadní straně univerzálního dálkového ovládání (A).
- Vložte baterie a respektujte přitom označení polaroty "+/-" (B).
- Zavřete přihrádku na baterie (C).

Upozornění: Paměť pro uložení kódů



- Při výměně baterií zůstávají všechny Vámi naprogramované kódy po dobu až 10 minut uloženy v paměti. Dávejte pozor na to, abyste nestiskli žádnou klávesu dříve, než budou nové baterie vloženy v dálkovém ovládání. Pokud stisknete nějakou klávesu, a v dálkovém ovládání se nebudou nacházet žádné baterie, tak budou všechny kódy smazány.

Upozornění: Funkce pro úsporu energie



- Dálkové ovládání se automaticky vypne, pokud budete nějakou klávesu tisknout déle než 15 sekund. Toto prodlužuje životnost baterií, pokud by dálkové ovládání mělo zůstat pevně vězet na nějakém místě, kde jsou klávesy trvale stisknuté, např. mezi polštáři pohovky.

5. Setup

Upozornění



- Pro řádný přenos infračerveného signálu držte dálkové ovládání vždy v přibližném směru ovládaného zařízení.
- Stiskněte klávesu "MODE" pro výběr sekundární skupiny zařízení: AUX, AMP/DVB-T, CBL (pouze u modelu 8 in 1).
- Stiskněte klávesu "SHIFT" pro ovládání modrých kláves funkcí. Funkce Shift bude deaktivována opětovným stisknutím klávesy "SHIFT" nebo automaticky po 30 sekundách, pokud nebude stisknuta žádná klávesa.
- Pokud se do 30 sekund neuskuteční žádné zadání, bude režim SETUP automaticky ukončen. Dioda LED zabliká šestkrát a poté zhasne.
- Každý typ zařízení je možné programovat prostřednictvím libovolné klávesy zařízení, např. televizi je možné programovat prostřednictvím DVD, AUX atd.
- S univerzálním dálkovým ovládáním nemůžete ovládat žádné zařízení, pokud se toto nachází v režimu Setup. Vystupte z režimu Setup, a vyberte pomocí kláves pro výběr zařízení to zařízení, které má být ovládáno.
- Prosím respektujte, že dálkové ovládání vysílá infračervené signály. Tyto nejsou pro lidské oko viditelné.

5.1 Přímé zadání kódu

V rozsahu dodání univerzálního dálkového ovládání je obsažen seznam kódů. Seznam kódů obsahuje pětimístné kódy pro nastavení dálkového ovládání pro většinu výrobců AV zařízení. Pro jednoduchou orientaci jsou kódy nejprve tříděny podle druhu zařízení (TV, DVD atd.) a v rámci druhu zařízení abecedně podle názvů značek. Pro vytvoření seznamu dostupných kódů pro značku vašeho koncového zařízení můžete použít následující QR kód.



<https://support.hama.com/codefinder>

- 5.1.1 Zapněte obsluhované zařízení.
- 5.1.2 Tiskněte klávesu "SETUP" tak dlouho, až dioda LED bude trvale svítit.
- 5.1.3 Vyberte pomocí klávesy zařízení přístroj, který má být ovládán (např. TV). Při úspěšném výběru blikne dioda LED jednou a poté svítí trvale.
- 5.1.4 Vyhledávejte v seznamu kódů podle značky a typu ovládaného zařízení.
- 5.1.5 Zadejte pomocí číselnicových kláves 0–9 odpovídající pětimístný kód. Dioda LED potvrdí zadání jednotlivých číslic vždy krátkým bliknutím a zhasne po páté číslici.
- 5.1.6 Otestujte následně dálkové ovládání a zkontrolujte, zda je možné ovládat požadované funkce. Možná, že první kód není nejvhodnější, případně nejsou všechny funkce k dispozici. Vyzkoušejte v tomto případě další, pro zvolený druh / zvolenou značku zařízení uvedený kód ze seznamu.

Upozornění

- Platný kód bude automaticky uložen.
- Při neplatném kódu dioda LED šestkrát blikne a následně zhasne. Opakujte kroky 5.1.1 až 5.1.5, nebo použijte jinou metodu pro zadání kódu.

5.2 Ruční vyhledání kódu

Univerzální dálkové ovládání je vybavené interní pamětí, ve které je obsaženo až 350 kódů pro každý typ zařízení pro nejběžnější AV zařízení. Těmito kódy můžete procházet tak, až ovládané zařízení ukáže reakci. Například se ovládané zařízení vypne (klávesa "POWER") nebo přepne vysílač (klávesy "PROG+/PROG-").

- 5.2.1 Zapněte obsluhované zařízení.
- 5.2.2 Tiskněte klávesu SETUP tak dlouho, až dioda LED bude trvale svítit.
- 5.2.3 Vyberte pomocí klávesy zařízení přístroj, který má být ovládán (např. TV). Při úspěšném výběru blikne dioda LED jednou a poté svítí trvale.
- 5.2.4 Stiskněte klávesu "POWER" nebo "PROG+/PROG-", abyste listovali v přednastavených kódech tak, až ovládané zařízení ukáže reakci.
- 5.2.5 Stiskněte "OK", abyste kód uložili do paměti a opustili režim vyhledávání kódů. Dioda LED zhasne.
- 5.2.6 Otestujte následně dálkové ovládání a zkontrolujte, zda je možné ovládat požadované funkce. Možná, že první nalezený kód není nejvhodnější, případně nejsou všechny funkce k dispozici. Opakujte v tomto případě kroky 5.2.1–5.2.5. Vyhledávání kódu se spustí s dalším kódem, který následuje po posledním uloženém kódu.

Upozornění

- V interní paměti je možné uložit maximálně 350 kódů nejběžnějších zařízení. Na základě velkého počtu AV zařízení, která jsou k dostání na trhu, se může stát, že budou k dispozici pouze nejběžnější funkce. Pokud tomu tak je, opakujte kroky 5.2.1 až 5.2.5, abyste našli nějaký kompatibilnější kód. Pro několik speciálních modelů zařízení nebude možná k dispozici žádný kód.

5.3 Automatické vyhledávání kódů

Ruční vyhledání kódů používá stejný přednastavený kód jako ruční vyhledávání kódů (5.2). Univerzální dálkové ovládání prohledává kódy ovšem automaticky tak, až ovládané zařízení ukáže reakci. Například se ovládané zařízení vypne (klávesa "POWER") nebo přepne vysílač (klávesy "PROG+/PROG-").

- 5.3.1 Zapněte obsluhované zařízení.
- 5.3.2 Tiskněte klávesu "SETUP" tak dlouho, až dioda LED bude trvale svítit.
- 5.3.3 Vyberte pomocí klávesy zařízení přístroj, který má být ovládán (např. TV). Při úspěšném výběru blikne dioda LED jednou a poté svítí trvale.
- 5.3.4 Stiskněte klávesu "PROG+/PROG-" nebo "POWER", abyste spustili automatické vyhledávání kódů. Dioda LED blikne jednou a poté svítí trvale. Trvá to 6 sekund, než univerzální dálkové ovládání zahájí první vyhledávání.

Upozornění:

Nastavení rychlosti vyhledávání

- Standardní nastavení pro dobu vyhledávání pro kód je 1 sekunda. Pokud Vám toto nevyhovuje, můžete přepnout na dobu vyhledávání 3 sekund pro kód. Pro přepnutí mezi časy vyhledávání, stiskněte "PROG+" nebo "PROG-" do 6 sekund před zahájením automatického vyhledávání kódů.

- 5.3.5 Dioda LED potvrdí příslušná vyhledávání kódů jedním jednotlivým bliknutím.
- 5.3.6 Jakmile zařízení, které má být ovládáno, ukáže reakci, stiskněte klávesu "OK", abyste kód uložili a opustili vyhledávání kódů. Dioda LED zhasne.
- 5.3.7 Otestujte následně dálkové ovládání a zkontrolujte, zda je možné ovládat požadované funkce. Možná, že první nalezený kód není nejvhodnější, případně nejsou všechny funkce k dispozici. Opakujte v tomto případě kroky 5.3.1–5.3.6. Vyhledávání kódu se spustí s dalším kódem, který následuje po posledním uloženém kódu.
- 5.3.8 Pro ukončení automatického vyhledávání během procesu vyhledávání stiskněte klávesu "EXIT".

Upozornění



- Pokud byly bez úspěchu prohledány všechny kódy, opustí univerzální dálkové ovládání automatické vyhledávání kódů a vrátí se automaticky zpět do provozního režimu. Aktuálně uložený kód zůstane nezměněný.

5.4 Rozpoznání kódu

Rozpoznání kódu Vám nabízí možnost vyhledat Vámi již uložený kód.

- 5.4.1 Tiskněte klávesu "SETUP" tak dlouho, až dioda LED bude trvale svítit.
- 5.4.2 Vyberte pomocí klávesy zařízení přístroj, který má být ovládán (např. TV). Při úspěšném výběru blikne dioda LED jednou a poté svítí trvale.
- 5.4.3 Stiskněte tlačítko "SETUP". Dioda LED blikne jednou a poté svítí trvale.
- 5.4.4 Stiskněte pro vyhledávání první číslice některou z číslicových kláves od 0 do 9. Dioda LED blikne jednou pro první číslici pětimístného čísla kódu.
- 5.4.5 Opakujte krok 5.4.4 příslušně pro druhou, třetí, čtvrtou a pátou číslici.
- 5.4.6 Zjištěný kód můžete následně zapsat do níže uvedené tabulky, pokud budete tento v pozdější době znovu potřebovat (např. po smazání nastavení dálkového ovládání nedopatřením).

KÓDY			
TV	SOUND	STB	DVD
AUX	AMP	CBL	DVBT

6. Zvláštní funkce

6.1 Funkce pro přímý přístup k vysílači Punch-Through

S funkcí pro přímý přístup k vysílači Punch-Through mohou příkazy PROG+ nebo PROG- obcházet aktuálně ovládané zařízení a přepínat vysílače druhého zařízení. Všechny ostatní příkazy zůstávají tím nedotčeny.

Takto aktivujete funkci pro přímý přístup k vysílači Punch-Through:

- Stiskněte požadovanou klávesu zařízení (např. TV).
- Podržte stisknutou klávesu "PROG+".
- Stiskněte požadovanou klávesu zařízení (např. SAT).
- Klávesu "PROG+" opět uvolněte (dioda LED blikne jednou při aktivovaném nastavení).

Takto deaktivujete funkci pro přímý přístup k vysílači Punch-Through:

- Stiskněte požadovanou klávesu zařízení (např. TV).
- Podržte stisknutou klávesu "PROG-".
- Stiskněte požadovanou klávesu zařízení (např. SAT).
- Klávesu "PROG-" opět uvolněte (dioda LED blikne dvakrát, když bude nastavení deaktivováno).

6.2 Funkce pro přímý přístup k nastavení hlasitosti Punch-Through

S funkcí pro přímý přístup k nastavení hlasitosti Punch-Through mohou příkazy VOL+ nebo VOL- obcházet aktuálně ovládané zařízení, a nastavovat hlasitost druhého zařízení. Všechny ostatní příkazy zůstávají tím nedotčeny.

Takto aktivujete funkci pro přímý přístup k nastavení hlasitosti Punch-Through:

- Stiskněte požadovanou klávesu zařízení (např. TV).
- Podržte stisknutou klávesu "VOL+".
- Stiskněte požadovanou klávesu zařízení (např. SAT).
- Klávesu "VOL+" opět uvolněte (dioda LED blikne jednou při aktivovaném nastavení).

Takto deaktivujete funkci pro přímý přístup k vysílači Punch-Through:

- Stiskněte požadovanou klávesu zařízení (např. TV).
- Podržte stisknutou klávesu "VOL-".
- Stiskněte požadovanou klávesu zařízení (např. SAT).
- Klávesu "VOL-" opět uvolněte (dioda LED blikne dvakrát, když bude nastavení deaktivováno).

6.3 Macro Power

S funkcí Macro Power můžete dvě AV zařízení současně zapínat/vypínat.

Takto aktivujete funkci Macro Power:

- Stiskněte požadovanou klávesu zařízení (např. TV).
- Podržte stisknutou klávesu "POWER".
- Stiskněte požadovanou klávesu zařízení (např. SAT).
- Klávesu "POWER" opět uvolněte (dioda LED blikne jednou při aktivovaném nastavení).

Takto deaktivujete funkci Macro Power:

- Stiskněte požadovanou klávesu zařízení (např. TV).
- Podržte stisknutou klávesu "POWER".
- Stiskněte požadovanou klávesu zařízení (např. SAT).
- Klávesu "POWER" opět uvolněte (dioda LED blikne dvakrát, když bude nastavení deaktivováno).

7. Údržba

- Nikdy nepoužívejte současně staré a nové baterie v univerzálním dálkovém ovládní, protože staré baterie jsou náchylné k vytékání a mohou vést ke ztrátě výkonu.
- Nečistěte univerzální dálkové ovládní v žádném případě s abrazivními prostředky nebo s ostrými čistícími prostředky.
- Udržujte univerzální dálkové ovládní bez prachu tím, že ho budete čistit pomocí suchého měkkého hadříku.

8. Odstraňování chyb

F. Moje univerzální dálkové ovládní nefunguje!

A. Zkontrolujte AV zařízení. Pokud je hlavní vypínač zařízení vypnutý, není možné univerzální dálkové ovládní ovládat.

A. Zkontrolujte, zda jsou baterie správně vloženy a zda byla respektována polarita.

A. Zkontrolujte, zda jste stiskli odpovídající klávesu pro zařízení.

A. Vyměňte baterie při nízkém stavu baterií.

F. Když je o značku mého AV zařízení uvedeno v seznamu více kódů zařízení, jak vyberu správný kód zařízení?

A. Pro určení správného kódu pro AV zařízení testujte kódy postupně po sobě tak, až většina kláves bude řádně fungovat.

F. Moje AV zařízení reaguje pouze na některé povely kláves.

A. Vyzkoušejte jiné kódy tak, až většina kláves bude řádně fungovat.

F. Značka mého AV zařízení není uvedena v seznamu kódů.

A. Použijte v tomto případě ruční vyhledávání kódů (kapitola 5.2) nebo automatické vyhledávání kódů (kapitola 5.3). Při běhu pro vyhledávání kódů jsou testovány všechny kódy pro jeden typ zařízení od více výrobců, tedy například všechny kódy pro přijímač SAT nezávisle na výrobcu.

F. Vyzkoušel jsem všechny stávající kódy pro značku mého AV zařízení ze seznamu kódů, ale žádný z uvedených kódů nefunguje.

A. Použijte v tomto případě ruční vyhledávání kódů (kapitola 5.2) nebo automatické vyhledávání kódů (kapitola 5.3). Při běhu pro vyhledávání kódů jsou testovány všechny kódy pro jeden typ zařízení od více výrobců, tedy například všechny kódy pro přijímač SAT nezávisle na výrobcu.

9. Vyloučení záruky

Společnost Hama GmbH & Co KG nepřebírá žádnou odpovědnost nebo záruku za škody vzniklé neodbornou instalací, montáží a neodborným použitím výrobku nebo nedodržováním návodu k použití a/nebo bezpečnostních pokynů.

Univerzálny diaľkový ovládač

Ďakujeme, že ste sa rozhodli pre kúpu výrobku Hama. Vyhraďte si čas na prečítanie všetkých nasledujúcich pokynov a informácií. Uschovajte si tento návod na bezpečnom mieste pre prípad potreby v budúcnosti.

Funkčné tlačidlá (modely 4v1, 8v1)

1. Vypínač zvuku
2. Tlačidlá pre výber zariadenia
3. Text ZAP: Zapnutie teletextu
4. Podržanie: Podržanie aktuálnej stránky teletextu
5. ◀◀ Spätný chod / červené
 - ▶ Prehrávanie / žlté
 - ▶▶ Rýchly chod vpred / modré
 - Spustenie nahrávania
 - Zastavenie / zelené
 - || Pauza / purpurové
6. Tlačidlo Shift
7. Menu: Otvorenie ponuky zariadenia
8. Tlačidlo režimu pre výber sekundárnej skupiny zariadení (iba model 8v1: AUX, DVBT, CBL, AMP)
9. Vol+ / Vol-: Regulácia hlasitosti
10. Setup: Nastavenia diaľkového ovládania
11. Číselné tlačidlá 0 – 9
12. Smart TV: Otvorenie ponuky Smart TV (ak to zariadenie podporuje)
 - Shift+Smart TV: Výber externého zdroja AV
13. APPS: Otvorenie ponuky aplikácií (ak to zariadenie podporuje)
 - Shift+APPS: Zmena na dvojmiestne čísla staníc
14. PROG+ / PROG-: Výber programu, nahor / nadol
15. EXIT: Opustenie ponuky zariadenia
16. OK: Potvrdenie výberu
17. EPG: Elektronický sprievodca programom (ak ho podporuje vybrané AV zariadenie)
18. Info: Informácie na obrazovke (ak to podporuje AV zariadenie)
19. Text VYP: Opustenie teletextu
20. Power: ZAP / VYP / LED dióda

1. Vysvetlenie výstražných symbolov a upozornení**Výstraha**

Tento symbol označuje bezpečnostné upozornenia, ktoré poukazujú na určité riziká a nebezpečenstvá.

Upozornenie

Tento symbol označuje dodatočné informácie alebo dôležité poznámky.

2. Obsah balenia

- Univerzálny diaľkový ovládač
- Zoznam kódov
- Tento návod na obsluhu
- 2x batérie typu AAA

3. Bezpečnostné upozornenia

- Diaľkový ovládač nepoužívajte vo vlhkom prostredí a zabráňte kontaktu so striekajúcou vodou.
- Diaľkový ovládač neumiestňujte v blízkosti zdrojov tepla a nevystavujte ho priamemu slnečnému žiareniu.
- Diaľkový ovládač nepatrí do rúk deťom, rovnako ako všetky elektrické výrobky.
- Tento výrobok je určený na súkromné použitie v domácnosti, nie je určený na komerčné použitie.
- Výrobok používajte iba na účel, pre ktorý je určený.
- Výrobok chráňte pred znečistením, vlhkosťou a prehriatím. Používajte ho iba v suchých priestoroch.
- Výrobok nepoužívajte na miestach, kde je používanie elektronických zariadení zakázané.
- Výrobok chráňte pred pádmi a nevystavujte ho silným otrasom.
- Na výrobku nevykonávajte žiadne zmeny. V dôsledku toho stratíte akékoľvek nároky na záruku.
- Obalový materiál odložte mimo dosahu detí, hrozí riziko zadusenía.
- Obalový materiál hneď zlikvidujte podľa platných miestnych predpisov o likvidácii.
- Výrobok nepoužívajte mimo výkonnostných limitov uvedených v technických údajoch.
- Výrobok neotvárajte a v prípade poškodenia ho ďalej nepoužívajte.
- Nesnažte sa sami robiť na výrobku údržbu alebo opravy. Akékoľvek práce na údržbe prenechajte príslušnému odbornému personálu.
- Výrobok používajte len v miernych klimatických podmienkach.

Výstraha – batérie



- Vždy dbajte na správnu polaritu (označenie + a -) batérií a zodpovedajúco ich vložte. Pri nesprávnej polarite hrozí nebezpečenstvo vytečenia batérií alebo explózie.
- Používajte výhradne batérie, ktoré zodpovedajú uvedenému typu. Uchovajte si pokyny týkajúce sa správneho výberu batérií, ktoré sú uvedené v návode na obsluhu zariadení, aby ste si ich mohli neskôr vyhľadať.
- Pred vložением batérií vyčistite kontakty batérie a protifaľhé kontakty.
- Deti smú vymieňať batérie iba pod dohľadom dospeléj osoby.
- Vždy vymeňte všetky batérie naraz.
- Nekombinujte staré a nové batérie, ako aj batérie rôznych typov alebo výrobcov.
- Vyberte batérie z výrobkov, ktoré sa dlhší čas nebudú používať (pokiaľ nemajú byť pripravené pre núdzové prípady).
- Batérie neskratujte.
- Nenabíjateľné batérie nenabíjajte.
- Batérie nikdy nehádzte do ohňa a nezahrievajte ich.
- Batérie nikdy neotvárajte, zabráňte ich poškodeniu, prehltnutiu alebo uniknutiu do životného prostredia. Môžu obsahovať jedovaté ťažké kovy, škodlivé pre životné prostredie.
- Vybité batérie bezodkladne vymeňte a zlikvidujte podľa platných predpisov.
- Zabráňte skladovaniu, nabíjaniu a používaniu pri extrémnych teplotách a extrémne nízkom tlaku vzduchu (ako napr. vo vysokých nadmorských výškach).
- Dbajte o to, aby batérie s poškodeným krytom neprišli do kontaktu s vodou.
- Batérie uchovávajte mimo dosahu detí.



4. Prvé kroky – Vloženie batérií



Upozornenie

- Odporúča sa použiť alkalické batérie. Použite dve batérie typu "AAA" (LR 03 / Micro).
- Odstráňte kryt priehradky na batérie na zadnej strane univerzálneho diaľkového ovládača (A).
- Vložte batérie, pričom dbajte na polaritu s označeniami "+/-" (B).
- Priehradku na batérie (C) zatvorte.



Upozornenie: Pamäť kódov

- Pri výmene batérií zostávajú všetky kódy, ktoré ste naprogramovali, uložené až 10 minút. Dávajte pozor na to, aby ste nestlačili žiadne tlačidlá, pokiaľ nie sú do diaľkového ovládača vložené nové batérie. Ak nejaké tlačidlo stlačíte a v diaľkovom ovládači nie sú žiadne batérie, všetky kódy sa vymažú.

Upozornenie: Funkcia úspory energie



- Diaľkový ovládač sa vypne automaticky, ak je nejaké tlačidlo stlačené dlhšie ako 15 sekúnd. Predĺži sa tak životnosť batérií v prípade, že by diaľkový ovládač uviazol na nejakom mieste, kde by boli tlačidlá nepretržite stlačené, napr. medzi vankúšmi pohovky.

5. Setup (nastavenie)



Upozornenie

- Pre správny infračervený prenos držte diaľkový ovládač vždy v približnom smere ovládaného zariadenia.
- Stlačte tlačidlo "MODE" na výber sekundárnej skupiny zariadení: AUX, AMP, DVB-T, CBL (iba pri modeli 8v1).
- Stlačte tlačidlo "SHIFT" na ovládanie modrých funkčných tlačidiel. Opätovným stlačením tlačidla "SHIFT" sa funkcia Shift deaktivuje, alebo sa táto funkcia deaktivuje automaticky po 30 sekundách, keď sa nestlačí žiadne tlačidlo.
- Ak sa v priebehu 30 sekúnd nevykoná žiadne zadanie, režim SETUP sa automaticky ukončí. LED dióda zabliká šesťkrát a potom zhasne.
- Každý typ zariadenia sa môže programovať pod ľubovoľným tlačidlom zariadenia, napr. televízny prijímač je možné programovať pod DVD, AUX a pod.
- Univerzálnym diaľkovým ovládačom nemôžete ovládať žiadne zariadenie, pokiaľ sa tento nachádza v režime Setup. Opustite režim Setup a pomocou tlačidiel pre výber zariadenia vyberte zariadenie, ktoré chcete ovládať.
- Majte na zreteli, že diaľkový ovládač vysiela infračervené signály. Tieto nie sú pre ľudské oko viditeľné.

5.1 Priame zadávanie kódu

K diaľkovému ovládaču je dodávaný aj zoznam kódov. Zoznam kódov obsahuje päťmiestne kódy na nastavenie diaľkového ovládača väčšiny výrobcov AV zariadení.

Pre jednoduchú orientáciu sú kódy najprv roztriedené podľa druhu zariadenia (TV, DVD atď.), a v rámci druhu zariadenia abecedne podľa obchodnej značky.

Pomocou nasledujúceho QR kódu môžete vytvoriť zoznam dostupných kódov pre značku svojho koncového zariadenia.



<https://support.hama.com/codefinder>

- 5.1.1 Zapnite zariadenie, ktoré chcete ovládať.
- 5.1.2 Tlačidlo "SETUP" tlačte dovtedy, kým LED dióda nesvieti trvale.
- 5.1.3 Pomocou tlačidla zariadenia vyberte zariadenie, ktoré chcete ovládať (napr. TV). Pri úspešnom výbere blikne LED dióda raz a potom svieti trvale.
- 5.1.4 V zozname kódov vyhladajte podľa značky a typu zariadenie, ktoré chcete ovládať.
- 5.1.5 Pomocou číselných tlačidiel 0 – 9 zadajte príslušný päťmiestny kód. LED potvrdí krátkym bliknutím každé jednotlivé zadanie číslice a po piatej číslici zhasne.
- 5.1.6 Následne diaľkový ovládač otestujte a vyskúšajte, či je možné ovládanie požadovaných funkcií. Prvý kód pravdepodobne nebude najvhodnejší, prípadne nebudú k dispozícii všetky funkcie. V takomto prípade vyskúšajte ďalší kód zo zoznamu uvedeného pre vybraný druh / značku zariadenia.

Upozornenie

- Platný kód sa uloží automaticky.
- V prípade neplatného kódu bliká LED dióda šesťkrát a potom zhasne. Zopakujte kroky 5.1.1 až 5.1.5 alebo použite inú metódu zadávania kódu.

5.2 Manuálne hľadanie kódu

Univerzálny diaľkový ovládač má k dispozícii internú pamäť, ktorá už obsahuje až 350 kódov na každý typ zariadenia pri najbežnejších AV zariadeniach. Môžete týmito kódmi prechádzať, kým zariadenie, ktoré chcete ovládať, neukáže reakciu. Zariadenie, ktoré chcete ovládať sa napríklad vypne (tlačidlo "POWER") alebo zmení stanicu (tlačidlá "PROG+ / PROG-").

- 5.2.1 Zapnite zariadenie, ktoré chcete ovládať.
- 5.2.2 Tlačidlo SETUP tlačte dovtedy, kým LED dióda nesvieti trvale.
- 5.2.3 Pomocou tlačidla zariadenia vyberte zariadenie, ktoré chcete ovládať (napr. TV). Pri úspešnom výbere blikne LED dióda raz a potom svieti trvale.
- 5.2.4 Stlačte tlačidlo "POWER" alebo "PROG+ / PROG-", aby ste prechádzali prednastavenými kódmi, pokým zariadenie, ktoré chcete ovládať, neukáže reakciu.
- 5.2.5 Stlačte "OK", aby ste kód uložili a opustili hľadanie kódu. LED dióda zhasne.

- 5.2.6 Následne diaľkový ovládač otestujte a vyskúšajte, či je možné ovládanie požadovaných funkcií. Prvý nájdený kód pravdepodobne nebude najvhodnejší, prípadne nebudú k dispozícii všetky funkcie. V takom prípade zopakujte kroky 5.2.1 – 5.2.5. Hľadanie kódu sa spúšťa ďalším kódom, ktorý nasleduje po poslednom uloženom.

Upozornenie

- V internej pamäti môže byť uložených maximálne 350 kódov najbežnejších zariadení. Z dôvodu veľkého množstva AV zariadení dostupných na trhu sa môže stať, že sú k dispozícii iba najbežnejšie hlavné funkcie. Ak je to tak, zopakujte kroky 5.2.1 až 5.2.5, aby ste našli kompatibilnejší kód. Pri niektorých špeciálnych modeloch zariadení možno nie je k dispozícii žiadny kód.

5.3 Automatické hľadanie kódu

Automatické hľadanie kódu používa tie isté prednastavené kódy ako manuálne hľadanie kódu (5.2). Univerzálny diaľkový ovládač však vyhľadáva kódy automaticky, pokým zariadenie, ktoré chcete ovládať, neukáže reakciu. Zariadenie, ktoré chcete ovládať sa napríklad vypne (tlačidlo "POWER") alebo zmení stanicu (tlačidlá "PROG+ / PROG-").

- 5.3.1 Zapnite zariadenie, ktoré chcete ovládať.
- 5.3.2 Tlačidlo "SETUP" tlačte dovtedy, kým LED dióda nesvieti trvale.
- 5.3.3 Pomocou tlačidla zariadenia vyberte zariadenie, ktoré chcete ovládať (napr. TV). Pri úspešnom výbere blikne LED dióda raz a potom svieti trvale.
- 5.3.4 Stlačte tlačidlo "PROG+ / PROG-" alebo "POWER", aby sa spustilo automatické hľadanie kódu. LED dióda blikne raz a potom svieti trvale. Trvá to 6 sekúnd, kým univerzálny diaľkový ovládač začne s prvým hľadaním.

Upozornenie:

Nastavenie rýchlosti hľadania

- Štandardné nastavenie času hľadania pre každý kód je 1 sekunda. Ak vám to nevyhovuje, môžete čas hľadania zmeniť na 3 sekundy pre každý kód. Ak chcete prepnúť medzi časmi hľadania, stlačte "PROG+" alebo "PROG-" v priebehu 6 sekúnd pred začiatkom automatického hľadania kódu.

- 5.3.5 LED dióda potvrdí príslušné hľadanie kódu jedným bliknutím.
- 5.3.6 Hneď ako zariadenie, ktoré chcete ovládať ukáže reakciu, stlačte tlačidlo "OK", aby sa kód uložil a hľadanie kódu sa opustilo. LED dióda zhasne.

5.3.7 Následne diaľkový ovládač otestujte a vyskúšajte, či je možné ovládanie požadovaných funkcií. Prvý nájdený kód pravdepodobne nebude najvhodnejší, prípadne nebudú k dispozícii všetky funkcie. V takom prípade zopakujte kroky 5.3.1 – 5.3.6.

Hľadanie kódu sa spúšťa ďalším kódom, ktorý nasleduje po poslednom uloženom.

5.3.8 Ak chcete, aby sa automatické hľadanie počas procesu hľadania prerušilo, stlačte tlačidlo "EXIT".

Upozornenie



- Ak sa všetky kódy prehľadali bezúspešne, opustí univerzálny diaľkový ovládač automatické hľadanie kódu a automaticky sa vráti do prevádzkového režimu. Aktuálne uložený kód zostáva nezmenený.

5.4 Rozpoznanie kódu

Rozpoznanie kódu vám poskytuje možnosť zistiť kód, ktorý ste už uložili.

5.4.1 Tlačidlo "SETUP" tlačte dovtedy, kým LED dióda nesvieti trvale.

5.4.2 Pomocou tlačidla zariadenia vyberte zariadenie, ktoré chcete ovládať (napr. TV). Pri úspešnom výbere blikne LED dióda raz a potom svieti trvale.

5.4.3 Stlačte tlačidlo "SETUP". LED dióda blikne raz a potom svieti trvale.

5.4.4 Na hľadanie prvej číslice stlačte niektoré z číselných tlačidiel 0 až 9. LED blikne raz pri prvej číslici päťmiestneho čísla kódu.

5.4.5 Krok 5.4.4 zopakujte zakaždým pri druhej, tretej, štvrtej a piatej číslici.

5.4.6 Stanovený kód si môžete potom zaznačiť do nižšie uvedenej tabuľky pre prípad, že by ste ho niekedy v budúcnosti ešte potrebovali (napr. pri neúmyselnom vymazaní nastavení diaľkového ovládača).

KÓDY			
TV	SOUND	STB	DVD
AUX	AMP	CBL	DVBT

6. Osobitné funkcie

6.1 Funkcia Punch-Through pre stanice

Pomocou funkcie Punch-Through pre stanice sa môžu pokyny PROG+ alebo PROG- aktuálne ovládaného zariadenia obísť a prejsť na stanicu druhého zariadenia. Všetky ostatné pokyny nie sú tým ovplyvnené.

Funkciu Punch-Through pre stanice si aktivujte takto:

- Stlačte požadované tlačidlo zariadenia (napr. TV).
- Podržte stlačené tlačidlo "PROG+".
- Stlačte požadované tlačidlo zariadenia (napr. SAT).
- Uvoľnite tlačidlo "PROG+" (LED dióda blikne raz pri aktivovanom nastavení).

Funkciu Punch-Through pre stanice si deaktivujte takto:

- Stlačte požadované tlačidlo zariadenia (napr. TV).
- Podržte stlačené tlačidlo "PROG-".
- Stlačte požadované tlačidlo zariadenia (napr. SAT).
- Uvoľnite tlačidlo "PROG-" (LED dióda blikne dvakrát, keď sa nastavenie deaktivuje).

6.2 Funkcia Punch-Through pre hlasitosť

Pomocou funkcie Punch-Through pre hlasitosť sa môžu pokyny VOL+ alebo VOL- aktuálne ovládaného zariadenia obísť a nastaviť hlasitosť druhého zariadenia. Všetky ostatné pokyny nie sú tým ovplyvnené.

Funkciu Punch-Through pre hlasitosť si aktivujte takto:

- Stlačte požadované tlačidlo zariadenia (napr. TV).
- Podržte stlačené tlačidlo "VOL+".
- Stlačte požadované tlačidlo zariadenia (napr. SAT).
- Uvoľnite tlačidlo "VOL+" (LED dióda blikne raz pri aktivovanom nastavení).

Funkciu Punch-Through pre stanice si deaktivujte takto:

- Stlačte požadované tlačidlo zariadenia (napr. TV).
- Podržte stlačené tlačidlo "VOL-".
- Stlačte požadované tlačidlo zariadenia (napr. SAT).
- Uvoľnite tlačidlo "VOL-" (LED dióda blikne dvakrát, keď sa nastavenie deaktivuje).

6.3 Macro Power

Pomocou funkcie Macro Power môžete zapnúť / vypnúť súčasne dve AV zariadenia.

Funkciu Macro Power si aktivujete takto:

- Stlačte požadované tlačidlo zariadenia (napr. TV).
- Podržte stlačené tlačidlo "POWER".
- Stlačte požadované tlačidlo zariadenia (napr. SAT).
- Uvoľnite tlačidlo "POWER" (LED dióda blikne raz pri aktivovanom nastavení).

Funkciu Macro Power si deaktivujete takto:

- Stlačte požadované tlačidlo zariadenia (napr. TV).
- Podržte stlačené tlačidlo "POWER".
- Stlačte požadované tlačidlo zariadenia (napr. SAT).
- Uvoľnite tlačidlo "POWER" (LED dióda blikne dvakrát, keď sa nastavenie deaktivuje).

7. Údržba

- Nikdy nepoužívajte v univerzálnom diaľkovom ovládači staré a nové batérie súčasne, pretože staré batérie môžu vytečť, čo by viedlo k strate výkonu.
- Univerzálny diaľkový ovládač v žiadnom prípade nečistite abrazívnymi prostriedkami alebo agresívnymi čistiacimi prostriedkami.
- Univerzálny diaľkový ovládač zbavujte prachu čistením suchou a mäkkou utierkou.

8. Odstraňovanie porúch

F. Môj univerzálny diaľkový ovládač nefunguje!

A. Skontrolujte AV zariadenie. Ak je hlavný vypínač zariadenia vypnutý, univerzálny diaľkový ovládač zariadenie nemôže obsluhovať.

A. Skontrolujte, či sú batérie vložené správne a či je dodržaná polarita.

A. Skontrolujte, či ste stlačili zodpovedajúce tlačidlo zariadenia.

A. Batérie vymeňte ak majú nízky stav nabitia.

F. Ak má značka môjho AV zariadenia uvedených viac kódov zariadení, ako mám zvoliť správny kód zariadenia?

A. Ak chcete určiť správny kód zariadenia pre AV zariadenie, testujte kódy jeden po druhom, kým väčšina tlačidiel nebude fungovať správne.

F. Moje AV zariadenie reaguje iba na niektoré pokyny tlačidiel.

A. Vyskúšajte iné kódy, kým väčšina tlačidiel nebude fungovať správne.

F. Značka môjho AV zariadenia nie je uvedená v zozname kódov.

A. V takom prípade použite manuálne hľadanie kódu (kapitola 5.2) alebo automatické hľadanie kódu (kapitola 5.3). Pri procese hľadania kódu sa testujú všetky kódy pre jeden typ zariadenia štandardizovane medzi výrobcami, tak napríklad všetky kódy pre SAT Receiver nie sú závislé od výrobcu.

F. Vyskúšal/a som všetky kódy, ktoré sú k dispozícii pre značku môjho AV zariadenia zo zoznamu kódov, ale žiadny z uvedených kódov nefunguje.

A. V takom prípade použite manuálne hľadanie kódu (kapitola 5.2) alebo automatické hľadanie kódu (kapitola 5.3). Pri procese hľadania kódu sa testujú všetky kódy pre jeden typ zariadenia štandardizovane medzi výrobcami, tak napríklad všetky kódy pre SAT Receiver nie sú závislé od výrobcu.

9. Vylúčenie zodpovednosti

Hama GmbH & Co KG nepreberá žiadnu zodpovednosť a neposkytuje záruky za škody vyplývajúce z neodbornej inštalácie, montáže alebo neodborného používania výrobku alebo z nerešpektovania návodu na obsluhu a/alebo bezpečnostných upozornení.

Comando à distância universal

Muito obrigado por se ter decidido por um produto Hamal! Antes de utilizar o produto, leia atentamente todas as indicações e observações deste manual. Guarde-o num local seguro, para o poder consultar sempre que necessário.

Teclas de função (modelos 4in1, 8in1)

1. Tecla de ativação/desativação do modo silencioso
2. Teclas de seleção de aparelhos
3. Texto ATIVADO: ativar o teletexto
4. Guardar: guardar a página de teletexto atual
5. ◀◀ Retrocesso/vermelho
 - ▶ Reprodução/amarelo
 - ▶▶ Avanço rápido/azul
 - Iniciar a gravação
 - Parar/verde
 - || Pausa/magenta
6. Tecla Shift
7. Menu: abrir o menu de aparelhos
8. Tecla de modo para seleção do grupo secundário de aparelhos (só no modelo 8in1: AUX, DVBT, CBL, AMP)
9. Vol+/Vol-: regulação do volume de som
10. Setup: definições do comando à distância
11. Teclas numéricas 0-9
12. Smart TV: abrir o menu Smart TV (se suportado pelo equipamento terminal)
 - Shift+Smart TV: selecionar a fonte externa de AV
13. APPS: abrir o menu das apps (se suportado pelo equipamento terminal)
 - Shift+APPS: mudar para números de emissoras de dois dígitos
14. PROG+/PROG-: seleção do programa, para cima/para baixo
15. EXIT: sair do menu de aparelhos
16. OK: confirmar a seleção
17. EPG: guia eletrónico da programação (se suportado pelo aparelho AV selecionado)
18. Info: informações On-Screen (se suportado pelo aparelho AV)
19. Texto DESATIVADO: sair do teletexto
20. Power: LIGAR/DESLIGAR / LED

1. Explicação dos símbolos de aviso e das observações

Aviso



Este símbolo é utilizado para identificar informações de segurança ou para chamar a atenção para perigos e riscos especiais.

Observação



Este símbolo é utilizado para identificar informações de segurança adicionais ou para assinalar observações importantes.

2. Âmbito de fornecimento

- Comando à distância universal
- Lista de códigos
- Este manual de instruções
- 2 pilhas AAA

3. Indicações de segurança

- Nunca utilize o comando à distância universal em ambientes húmidos, e evite o contacto com salpicos de água.
- Mantenha o comando à distância universal afastado de fontes de calor, e nunca o exponha à incidência direta dos raios de sol.
- Tal como qualquer outro dispositivo elétrico, o comando à distância universal não pode ser manuseado por crianças!
- O produto está previsto apenas para a utilização privada e não comercial.
- Utilize o produto exclusivamente para o fim a que se destina.
- Proteja o produto da sujidade, da humidade e do sobreaquecimento, e utilize-o apenas em ambientes secos.
- Nunca utilize o produto em áreas em que não sejam permitidos dispositivos eletrónicos.
- Nunca deixe cair o produto, nem o submeta a choques fortes.
- Nunca introduza alterações no produto. Se o fizer, a garantia deixará de ser válida.
- Mantenha o material da embalagem fora do alcance de crianças. Perigo de asfixia.
- Elimine imediatamente o material da embalagem em conformidade com as normas locais aplicáveis.

- Nunca utilize o produto fora dos limites de desempenho indicados nos dados técnicos.
- Nunca abra o produto, nem o utilize caso esteja danificado.
- Nunca tente manter ou reparar o produto. Qualquer trabalho de manutenção deve ser executado por técnicos especializados.
- Utilize o produto sempre só em condições climáticas moderadas.

Aviso – Pilhas



- Ao colocar as pilhas, tenha em atenção a polaridade correta das pilhas (inscrições + e -) e coloque-as corretamente. A não observância da polaridade correta poderá provocar o derrame das pilhas ou a sua explosão.
- Utilize exclusivamente baterias que correspondam ao tipo indicado. Guarde estas indicações sobre a seleção correta das baterias, que se encontram nas instruções de funcionamento dos aparelhos, para consulta futura.
- Antes de colocar as pilhas, limpe os contactos das pilhas e os contactos do compartimento.
- Não deixe crianças substituírem as pilhas sem vigilância.
- Substitua sempre todas as pilhas ao mesmo tempo.
- Não utilize pilhas de diferentes tipos ou fabricantes, nem misture pilhas novas e usadas.
- Retire as pilhas do produto se não o for utilizar durante um período prolongado (a não ser que este tenha de ser mantido pronto a funcionar para situações de emergência).
- Não curto-circuite as pilhas.
- Não recarregue as pilhas.
- Não deite as pilhas ao fogo e não as aqueça.
- Nunca abra, danifique, ingira ou elimine as pilhas no ambiente. Estas podem conter metais pesados tóxicos e prejudiciais para o ambiente.
- Retire imediatamente pilhas gastas do produto e elimine-as adequadamente.
- Evite um armazenamento, um carregamento e uma utilização em condições de temperaturas extremas e de pressão atmosférica extremamente baixa (como, por exemplo, a grandes altitudes).
- Certifique-se de que as baterias com invólucro danificado não entram em contacto com a água.
- Mantenha as pilhas fora do alcance das crianças.



4. Primeiros passos – Colocação das pilhas

Observação



- Recomenda-se a utilização de pilhas alcalinas. Utilize duas pilhas AAA (LR 03/Micro).
- Remova a tampa do compartimento das pilhas, na parte de trás do comando à distância universal (A).
- Coloque as pilhas, tendo em atenção as inscrições "+/-" que indicam a polaridade (B).
- Feche o compartimento das pilhas (C).

Observação: Memória de códigos



- Quando procede à troca das pilhas, todos os códigos por si programados são guardados na memória durante até 10 minutos. Certifique-se de que não prime nenhuma tecla até ter colocado as pilhas novas no comando à distância. Se premir uma tecla e o comando à distância estiver sem pilhas, todos os códigos serão apagados.

Observação: Função de poupança de energia



- O comando à distância desliga-se automaticamente se uma tecla for premida durante mais de 15 segundos. Esta medida prolonga a vida útil das pilhas caso o comando à distância fique entalado num local em que as teclas sejam premidas prolongadamente, como, por exemplo, entre as almofadas do sofá.

5. Setup

Observação



- Para garantir uma transmissão de infravermelhos correta, aponte o comando à distância na direção do aparelho a comandar.
- Prima a tecla "MODE" para selecionar o grupo secundário de aparelhos: AUX, AMP, DVB-T, CBL (só no modelo 8in1).
- Prima a tecla "SHIFT" para comandar as teclas de função azuis. A função Shift é desativada seja quando premir novamente a tecla "SHIFT", seja automaticamente passados 30 segundos, se não for premida nenhuma tecla.
- Se não for feita nenhuma introdução durante 30 segundos, o modo SETUP é automaticamente desativado. O LED pisca seis vezes e depois apaga-se.
- Cada tipo de aparelho pode ser programado com uma tecla de aparelho qualquer, por exemplo, um televisor pode ser programado com DVD, AUX, etc.
- Não vai poder comandar nenhum aparelho com o comando à distância universal enquanto ele estiver no modo Setup. Saia do modo Setup e seleccione o aparelho a comandar com as teclas de seleção de aparelhos.

Observação

- Tenha em atenção que o comando à distância emite sinais de infravermelhos. Estes sinais são invisíveis para o olho humano.

5.1 Introdução direta de código

Com o comando à distância universal é fornecida uma lista de códigos. A lista de códigos contém códigos de cinco dígitos para permitir que o comando à distância comande a maior parte das marcas de aparelhos AV.

Para uma localização mais fácil, os códigos estão ordenados primeiro por tipo de aparelho (TV, DVD, etc.) e, dentro do tipo de aparelho, por ordem alfabética de marcas.

Por meio do seguinte código QR, pode criar uma lista dos códigos disponíveis para a marca do seu dispositivo.



<https://support.hama.com/codefinder>

- 5.1.1 Ligue o aparelho que pretende comandar.
- 5.1.2 Prima a tecla "SETUP" até o LED ficar aceso, sem piscar.
- 5.1.3 Selecione o aparelho a comandar (TV, por exemplo) com a tecla de aparelho. Se a seleção for bem-sucedida, o LED pisca uma vez, e depois fica aceso, fixo.
- 5.1.4 Localize a marca e o tipo de aparelho que quer comandar na lista de códigos.
- 5.1.5 Introduza o respetivo código de cinco dígitos com as teclas numéricas 0-9. O LED confirma sempre a introdução de cada dígito com um breve piscar, e volta a apagar-se depois de o quinto dígito ser introduzido.
- 5.1.6 Em seguida, teste o comando à distância e verifique se consegue comandar as funções pretendidas. Pode dar-se o caso de o primeiro código não ser o mais indicado ou de não poderem ser comandadas à distância todas as funções. Nesse caso, tente usar o código seguinte da lista indicado para a marca/o tipo de aparelho.

Observação

- Um código válido é automaticamente memorizado.
- Se o código não for válido, o LED pisca seis vezes e apaga-se. Repita os passos 5.1.1 a 5.1.5 ou utilize outro método de introdução do código.

5.2 Pesquisa manual de código

O comando à distância universal tem uma memória interna que já tem até 350 códigos por tipo de aparelho para os aparelhos AV mais usuais. Pode percorrer estes códigos, até o aparelho a comandar reagir. Por exemplo, o aparelho a comandar pode desligar-se (tecla "POWER") ou mudar de emissora (tecla "PROG+/PROG-").

- 5.2.1 Ligue o aparelho que pretende comandar.
- 5.2.2 Prima a tecla "SETUP" até o LED ficar aceso, fixo.
- 5.2.3 Selecione o aparelho a comandar (TV, por exemplo) com a tecla de aparelho. Se a seleção for bem-sucedida, o LED pisca uma vez, e depois fica aceso, fixo.
- 5.2.4 Prima a tecla "POWER" ou "PROG+/PROG-" para percorrer os códigos predefinidos até o aparelho a comandar reagir.
- 5.2.5 Prima "OK" para memorizar o código e sair da pesquisa de código. O LED apaga-se.
- 5.2.6 Em seguida, teste o comando à distância e verifique se consegue comandar as funções pretendidas. Pode dar-se o caso de o primeiro código localizado não ser o mais indicado ou de não ser possível comandar à distância todas as funções. Nesse caso repita os passos 5.2.1.–5.2.5. A pesquisa de código inicia-se pelo código que se segue ao último código memorizado.

Observação

A memória interna pode guardar um máximo de 350 códigos dos aparelhos mais usuais. Devido às inúmeras marcas de aparelhos AV à venda, pode dar-se o caso de só as funções principais poderem ser comandadas à distância. Neste caso, repita os passos 5.2.1 a 5.2.5 para encontrar um código compatível. Alguns modelos especiais de aparelho podem não ter nenhum código disponível.

5.3 Pesquisa automática de código

A pesquisa automática de código utiliza os mesmos códigos predefinidos que a pesquisa manual de código (5.2). Neste caso, porém, o comando à distância universal percorre os códigos automaticamente até o aparelho a comandar reagir. Por exemplo, o aparelho a comandar pode desligar-se (tecla "POWER") ou mudar de emissora (teclas "PROG+/PROG-").

- 5.3.1 Ligue o aparelho que pretende comandar.
- 5.3.2 Prima a tecla "SETUP" até o LED ficar aceso, sem piscar.
- 5.3.3 Selecione o aparelho a comandar (TV, por exemplo) com a tecla de aparelho. Se a seleção for bem-sucedida, o LED pisca uma vez, e depois fica aceso, fixo.
- 5.3.4 Prima uma das teclas "PROG+/PROG-" ou "POWER" para iniciar a pesquisa automática de código. O LED pisca uma vez, e depois fica aceso, fixo. Demora 6 segundos até o comando à distância universal iniciar a primeira pesquisa.

Observação:**Definição da velocidade de pesquisa**

- A definição padrão do tempo de pesquisa de cada código é 1 segundo. Se não gostar desta definição pode mudar para um tempo de pesquisa de 3 segundos por código. Para alternar entre os tempos de pesquisa, prima "PROG+" ou "PROG-" nos 6 segundos antes de a pesquisa automática de código se iniciar.

5.3.5 O LED pisca uma única vez para confirmar a pesquisa de código selecionada.

5.3.6 Assim que o aparelho a comandar reagir, prima a tecla "OK", para memorizar o código e sair da pesquisa de código. O LED apaga-se.

5.3.7 Em seguida, teste o comando à distância e verifique se consegue comandar as funções pretendidas. Pode dar-se o caso de o primeiro código localizado não ser o mais indicado ou de não ser possível comandar à distância todas as funções. Nesse caso repita os passos 5.3.1. – 5.3.6.

A pesquisa de código inicia-se pelo código que se segue ao último código memorizado.

5.3.8 Para interromper a pesquisa automática prima a tecla "EXIT".

Observação

- Uma vez pesquisados todos os códigos sem êxito, o comando à distância universal sai da pesquisa automática de código e regressa automaticamente ao modo de operação. O código atual memorizado não é alterado.

5.4 Reconhecimento de código

O reconhecimento de código permite-lhe identificar um código que já guardou na memória.

5.4.1 Prima a tecla "SETUP" até o LED ficar aceso, sem piscar.

5.4.2 Selecione o aparelho a comandar (TV, por exemplo) com a tecla de aparelho. Se a seleção for bem-sucedida, o LED pisca uma vez, e depois fica aceso, fixo.

5.4.3 Prima a tecla "SETUP". O LED pisca uma vez, e depois fica aceso, fixo.

5.4.4 Para pesquisar o primeiro número, prima uma das teclas numéricas de 0 a 9. O LED pisca uma vez para o primeiro número do código de cinco dígitos.

5.4.5 Repita o passo 5.4.4 para cada um dos segundo, terceiro, quarto e quinto dígitos.

5.4.6 Em seguida, pode registar o código definido na tabela que se segue, caso volte a precisar dele mais tarde (depois de uma eliminação acidental das definições do comando à distância, por exemplo).

CÓDIGOS			
TV	ÁUDIO	STB	DVD
AUX	AMP	CBL	DVBT

6. Funções especiais**6.1 Sender-Punch-Through**

Com a função Sender-Punch-Through, os comandos PROG+ ou PROG- podem ignorar o aparelho que está a ser comandado e mudar as emissoras de um segundo aparelho. Não é afetado mais nenhum comando.

Ativar a função Sender-Punch-Through:

- Prima a tecla de aparelho pretendida (TV, por exemplo).
- Mantenha a tecla "PROG+" premida.
- Prima a tecla de aparelho pretendida (SAT, por exemplo).
- Solte a tecla "PROG+" (o LED pisca uma vez para confirmar a ativação da definição).

Desativar a função Sender-Punch-Through:

- Prima a tecla de aparelho pretendida (TV, por exemplo).
- Mantenha a tecla "PROG-" premida.
- Prima a tecla de aparelho pretendida (SAT, por exemplo).
- Solte a tecla "PROG-" (o LED pisca duas vezes para confirmar a desativação da definição).

6.2 Punch-Through do volume de som

A função Punch-Through do volume de som, permite ao aparelho que está a ser comandado ignorar os comandos VOL+ ou VOL-, e regular o volume de som de um segundo aparelho. Não é afetado mais nenhum comando.

Ativar a função Punch-Through do volume de som:

- Prima a tecla de aparelho pretendida (TV, por exemplo).
- Mantenha a tecla "VOL+" premida.
- Prima a tecla de aparelho pretendida (SAT, por exemplo).
- Solte a tecla "VOL+" (o LED pisca uma vez para confirmar a ativação da definição).

Desativar a função Sender-Punch-Through:

- Prima a tecla de aparelho pretendida (TV, por exemplo).
- Mantenha a tecla "VOL-" premida.
- Prima a tecla de aparelho pretendida (SAT, por exemplo).
- Solte a tecla "VOL-" (o LED pisca duas vezes para confirmar a desativação da definição).

6.3 Macro Power

A função Macro Power permite-lhe ligar/desligar simultaneamente dois aparelhos AV.

Ativar a função Macro Power:

- Prima a tecla de aparelho pretendida (TV, por exemplo).
- Mantenha a tecla "POWER" premida.
- Prima a tecla de aparelho pretendida (SAT, por exemplo).
- Solte a tecla "POWER" (o LED pisca uma vez para confirmar a ativação da definição).

Desativar a função Macro Power:

- Prima a tecla de aparelho pretendida (TV, por exemplo).
- Mantenha a tecla "POWER" premida.
- Prima a tecla de aparelho pretendida (SAT, por exemplo).
- Solte a tecla "POWER" (o LED pisca duas vezes para confirmar a desativação da definição)

7. Manutenção

- Nunca utilize pilhas novas e velhas ao mesmo tempo no comando à distância universal, pois as baterias velhas têm tendência para verterem e podem causar uma perda de potência.
- Nunca limpe o comando à distância universal com produtos abrasivos ou produtos de limpeza agressivos.
- Mantenha o comando à distância universal sem pó, limpando-o com um pano macio e seco.

8. Resolução de problemas

P. O meu comando à distância universal não funciona!

R. Verifique o aparelho AV. Se o interruptor principal do aparelho estiver desligado, o comando à distância universal não pode comandar o aparelho.

R. Certifique-se de que as pilhas estão corretamente introduzidas e de que a polaridade está certa.

R. Certifique-se de que premiu a tecla de aparelho que corresponde ao aparelho que quer comandar.

R. Se a carga das pilhas for baixa, troque as pilhas.

P. Se a lista tiver vários códigos de aparelho para a marca do meu aparelho AV, como seleciono o código do aparelho correto?

R. Para determinar qual é o código do aparelho correto para o aparelho AV, percorra a lista de códigos até a maior parte das teclas funcionar como deve ser.

P. O meu aparelho AV só reage a alguns comandos das teclas.

R. Experimente outros códigos até a maior parte das teclas funcionar como deve ser.

P. A lista de códigos não inclui a marca do meu aparelho AV.

R. Nesse caso, utilize a pesquisa manual de código (capítulo 5.2) ou a pesquisa automática de código (capítulo 5.3). Durante uma pesquisa de código são testados todos os códigos para um tipo de aparelho de vários fabricantes, ou seja, todos os códigos de recetores de satélite, por exemplo, independentemente do fabricante.

P. Já experimentei todos os códigos da lista de códigos disponíveis para a marca do meu aparelho AV, mas nenhum deles funciona.

R. Nesse caso, utilize a pesquisa manual de código (capítulo 5.2) ou a pesquisa automática de código (capítulo 5.3). Durante uma pesquisa de código são testados todos os códigos para um tipo de aparelho de vários fabricantes, ou seja, todos os códigos de recetores de satélite, por exemplo, independentemente do fabricante.

9. Exclusão de responsabilidade

A Hama GmbH & Co KG declina toda e qualquer responsabilidade ou garantia por danos decorrentes da instalação, da montagem ou do manuseamento incorretos do produto e/ou do incumprimento das instruções de utilização e/ou das informações de segurança.

S Bruksanvisning

Universalfjärrkontroll

Tack för att du valt att köpa en Hamaproduct.

Ta dig tid och läs först igenom de följande anvisningarna och informationen fullständigt. Förvara sedan den här bruksanvisningen på en säker plats för att kunna titta i den vid ett senare tillfälle.

Funktionsknappar (modell 4in1, 8in1)

1. Ljudlös-funktion
2. Knappar för val av enhet
3. Text TILL: Aktivera teletext
4. Håll: Håll den aktuella textsidan
5. ◀◀ Bakåt/röd
 - ▶ Spela upp/gul
 - ▶▶ Snabbspola framåt/blå
 - Starta inspelning
 - Stopp/grön
 - || Paus/magenta
6. Skifttangent
7. Meny: Öppna enhetens meny
8. Mode-knapp för val av sekundär enhetsgrupp (endast modell 8 in 1: AUX, DVBT, CBL, AMP)
9. VOL+/VOL-: Reglering av ljudstyrka
10. Setup: Inställning av fjärrkontrollen
11. Sifvertangenter 0–9
12. Smart TV: Öppna meny för smart TV (om det stöds av slutenheten)
 - Shift+Smart TV: välj extern AV-källa
13. APPS: Öppna meny för app (om det stöds av slutenheten)
 - Shift+APPS: Växla till tvåsiffriga kanalnummer
14. PROG+/PROG-: Programval uppåt/nedåt
15. EXIT: Lämna enhetens meny
16. OK: Bekräfta val
17. EPG: Elektronisk programguide (om det stöds av den valda AV-enheten)
18. Info: On-screen-information (om det stöds av AV-enheten)
19. Text FRÅN: Avaktivera teletext
20. Power: TILL/FRÅN/lysdiod

1. Förklaring av varningssymboler och information

Varning



Används för att markera säkerhetsanvisningar eller för att rikta uppmärksamheten mot speciella faror och risker.

Information



Används för att markera ytterligare information eller viktig information.

2. I leveransen ingår

- Universalfjärrkontroll
- Kodlista
- Denna bruksanvisning
- 2 AAA-batterier

3. Säkerhetsanvisningar

- Använd inte universalfjärrkontrollen i fuktiga miljöer och undvik kontakt med vattenstänk.
- Håll universalfjärrkontrollen på avstånd från värmekällor och utsätt den inte för direkt solstrålning.
- Precis som alla elektriska apparater ska universalfjärrkontrollen förvaras utom räckhåll för barn.
- Produkten är avsedd för privat bruk, inte yrkesmässig användning.
- Använd endast produkten för det avsedda ändamålet.
- Skydda produkten mot smuts, fukt och överhettning och använd den bara i inomhusmiljöer.
- Använd inte produkten inom områden där elektroniska apparater inte är tillåtna.
- Tappa inte produkten och utsätt den inte för kraftiga vibrationer.
- Gör inga förändringar på produkten. Då förlorar du alla garantianspråk.
- Det är viktigt att barn hålls borta från förpackningsmaterialet. Det finns risk för kvävning.
- Återvinn förpackningsmaterialet direkt enligt de lokala återvinningsbestämmelserna.
- Använd inte produkten utöver de kapacitetsgränser som anges i tekniska data.
- Öppna inte produkten och fortsätt inte att använda den om den är skadad.
- Försök inte serva eller reparera produkten själv. Överlåt allt servicearbete till behörig fackpersonal.
- Använd endast produkten under normala väderförhållanden.

Varning – batterier



- Var mycket noga med batteripolerna (märkta + och -) och lägg i batterierna vända åt rätt håll. Annars finns det risk för att batterierna läcker eller exploderar.
- Använd enbart batterier som motsvarar den angivna typen. Spara informationen om korrekt batterival som finns i apparatens bruksanvisningar för senare referens.
- Rengör batterikontakterna och motkontakterna innan batterierna läggs i.
- Låt inte barn byta batterier utan uppsikt.
- Byt alla batterier i en sats samtidigt.
- Blanda inte gamla och nya batterier, inte heller olika sorters batterier eller batterier från olika tillverkare.

Varning – batterier



- Ta ur batterierna om produkten inte ska användas under en längre tid (såvida den inte ska stå redo för ett nödläge).
- Kortslut inte batterierna.
- Ladda inte batterierna.
- Kasta inte batterier i öppen eld och värm inte upp dem.
- Öppna, skada eller förtär aldrig batterier och släng dem inte i naturen. De kan innehålla giftiga tungmetaller som är skadliga för miljön.
- Förbrukade batterier ska tas ut ur produkten direkt och omhändertas.
- Undvik att förvara, ladda och använda produkten vid onormala temperaturer och mycket lågt lufttryck (t.ex. på hög höjd).
- Se till att batterier med skadat hölje inte kommer i kontakt med vatten.
- Förvara batterier utom räckhåll för barn.



Information



- Tryck på SHIFT-knappen för att styra de blåa funktionsknapparna. Skift-funktionen avaktiveras om du trycker en gång till på SHIFT-knappen eller 30 sekunder efter det att ingen knapp har tryckts in.
- Om ingen inmatning sker inom 30 sekunder avslutas SETUP-läget automatiskt. Lysdioden blinkar sex gånger och slocknar sedan.
- Varje enhetstyp kan programmeras under valfri enhetsknapp, t.ex. kan en TV programmeras under DVD, AUX etc.
- Det går inte att styra någon enhet när universalfjärrkontrollen befinner sig i Setup-läge. Lämna Setup-läget och välj vilken enhet som ska styras med knapparna för val av enhet.
- Observera att fjärrkontrollen skickar ut infrarödsignaler. De är inte synliga för det mänskliga ögat.

4. Första steg – sätt i batterierna

Information



- Alkaliska batterier rekommenderas. Använd två AAA-batterier (LR 03/Micro).
- Ta bort batteriluckan på baksidan av universalfjärrkontrollen (A).
- Sätt i de båda batterierna och observera märkningen +/- för polariteten (B).
- Stäng batterifacket (C).

Information: Kodminne



- När batterierna sätts i finns alla dina programmerade koder kvar i minnet i 10 minuter. Se till att inte trycka på några knappar förrän de nya batterierna är isatta i fjärrkontrollen. Om du trycker på någon knapp utan att batterierna sitter i fjärrkontrollen raderas alla koder.

Information: Energisparfunktion



- Fjärrkontrollen stängs av automatiskt om någon knapp hålls intryckt längre tid än 15 sekunder. Det förlänger batteriernas livslängd om fjärrkontrollen skulle hamna någonstans där knapparna hålls intryckta permanent, t.ex. mellan dynorna i soffan.

5. Inställning

Information



- Rikta alltid fjärrkontrollen mot den enhet som ska styras för optimal IR-överföring.
- Tryck på MODE-knappen för att välja sekundär enhetsgrupp AUX, AMP, DVB-T, CBL (endast för modell 8in1).

5.1 Direkt kodinmatning

Tillsammans med universalfjärrkontrollen medföljer en kodlista. Kodlistan innehåller femställiga koder för inställning av fjärrkontrollen för de flesta tillverkare av AV-enheter. För enkel orientering är koderna först sorterade efter enhetstyp (TV, DVD etc.) och inom varje enhetstyp alfabetiskt efter märkesnamn.

Du kan använda följande QR-kod för att skapa en lista över tillgängliga koder för din slutenhets varumärke.



<https://support.hama.com/codefinder>

- 5.1.1 Koppla in den enhet som ska styras.
- 5.1.2 Tryck på knappen SETUP tills lysdioden lyser med fast sken.
- 5.1.3 Välj den enhet som ska styras med enhetsknappen (t.ex. TV). Om valet lyckas blinkar lysdioden en gång och lyser sedan med fast sken.
- 5.1.4 Leta upp den styrda enhetens märke och typ i kodlistan.
- 5.1.5 Skriv in den femställiga koden med siffertangenterna 0–9. Lysdioden bekräftar inmatningen av varje siffra med en kort blinksignal och slocknar efter den femte siffran.

5.1.6 Prova sedan fjärrkontrollen och kontrollera att du kan styra de önskade funktionerna. Det kan tänkas att den första koden inte är den bäst lämpade, eller så finns inte alla funktioner. Prova i så fall nästa kod i listan för den valda enhetstypen och märket.

Information

- En giltig kod sparas automatiskt.
- Om koden är ogiltig blinkar lysdioden sex gånger och slocknar sedan. Upprepa steg 5.1.1 till 5.1.5 eller använd någon annan metod för att ange koden.

5.2 Manuell kodsökning

Universalfjärrkontrollen har ett internminne som redan innehåller upp till 350 koder per enhetstyp för de vanligaste AV-enheterna. Du kan gå igenom dessa koder tills den enhet du önskar styra reagerar. Till exempel stängs enheten av (POWER-knapp) eller byter kanal (knapp PROG+/PROG-).

5.2.1 Koppla in den enhet som ska styras.

5.2.2 Tryck på SETUP-knappen tills lysdioden lyser med fast sken.

5.2.3 Välj den enhet som ska styras med enhetsknappen (t.ex. TV). Om valet lyckas blinkar lysdioden en gång och lyser sedan med fast sken.

5.2.4 Tryck på knappen POWER eller PROG+/PROG- för att bläddra genom de förinställda koderna tills enheten som ska styras reagerar.

5.2.5 Tryck på OK för att spara koden och lämna kodsökningen. Lysdioden slocknar.

5.2.6 Prova sedan fjärrkontrollen och kontrollera att du kan styra de önskade funktionerna. Det kan tänkas att den först hittade koden inte är den bäst lämpade, eller så finns inte alla funktioner. Upprepa i så fall steg 5.2.1 till 5.2.5. Kodsökningen startar med den kod som följer närmast efter den sparade.

Information

- I internminnet kan maximalt 350 koder för de vanligaste enheterna sparas. Eftersom det finns så många AV-enheter på marknaden kan det förekomma att endast de vanligaste huvudfunktionerna är tillgängliga. Upprepa i så fall steg 5.2.1 till 5.2.5 för att hitta en mer kompatibel kod. För några speciella enhetsmodeller finns det eventuellt ingen kod.

5.3 Automatisk kodsökning

Den automatiska kodsökningen använder samma förinställda koder som den manuella kodsökningen (5.2). Universalfjärrkontrollen söker igenom koderna automatiskt till den enhet som ska styras reagerar. Till exempel stängs enheten av (POWER-knapp) eller byter kanal (knapp PROG+/PROG-).

5.3.1 Koppla in den enhet som ska styras.

5.3.2 Tryck på knappen SETUP tills lysdioden lyser med fast sken.

5.3.3 Välj den enhet som ska styras med enhetsknappen (t.ex. TV). Om valet lyckas blinkar lysdioden en gång och lyser sedan med fast sken.

5.3.4 Tryck på knappen PROG+/PROG- eller POWER för att starta den automatiska kodsökningen. Lysdioden blinkar en gång och lyser sedan med fast sken. Det dröjer sex sekunder innan universalfjärrkontrollen börjar med den första sökningen.

Information:

Inställning av sökhastighet

- Standardinställningen av söktiden är 1 sekund per kod. Om du inte är nöjd med det kan du ändra till en söktid på 3 sekunder per kod. För att växla mellan söktider trycker du på PROG+ eller PROG- inom de sex sekunderna innan den automatiska kodsökningen startar.

5.3.5 Lysdioden bekräftar kodsökningen med en blinkning.

5.3.6 När enheten som ska styras reagerar trycker du på OK-knappen för att spara koden och lämna kodsökningen. Lysdioden slocknar.

5.3.7 Prova sedan fjärrkontrollen och kontrollera att du kan styra de önskade funktionerna. Det kan tänkas att den först hittade koden inte är den bäst lämpade, eller så finns inte alla funktioner. Upprepa i så fall steg 5.3.1 till 5.3.6.

Kodsökningen startar med den kod som följer närmast efter den sparade.

5.3.8 Tryck på EXIT-knappen för att avbryta den pågående automatiska sökningen.

Information



- Om alla koder har genomförts utan framgång, lämnar universalfjärrkontrollen den automatiska kodsökningen och återgår automatiskt till driftläget. De redan sparade koderna är oförändrade.

5.4 Kodidentifiering

Kodidentifieringen ger dig möjlighet att ta reda på en kod som du redan har sparat.

- 5.4.1 Tryck på knappen SETUP tills lysdioden lyser med fast sken.
- 5.4.2 Välj den enhet som ska styras med enhetsknappen (t.ex. TV). Om valet lyckas blinkar lysdioden en gång och lyser sedan med fast sken.
- 5.4.3 Tryck på knappen SETUP. Lysdioden blinkar en gång och lyser sedan med fast sken.
- 5.4.4 Tryck den första siffran på en av sifvertangenterna 0–9 för att söka. Lysdioden blinkar en gång för den första siffran i det femstelliga kodnumret.
- 5.4.5 Upprepa steg 5.4.4 för den andra, tredje, fjärde och femte siffran.
- 5.4.6 Den hittade koden kan du sedan föra in i nedanstående tabell om du skulle behöva den vid en senare tidpunkt (t.ex. om du av misstag har raderat fjärrkontrollens inställningar).

CODES			
TV	SOUND	STB	DVD
AUX	AMP	CBL	DVBT

6. Specialfunktioner

6.1 Kanal-punch-through

Med funktionen kanal-punch-through kan kommandona PROG+ eller PROG- kringgå den enhet som styrs och byta kanaler i en annan enhet. Övriga kommandon påverkas inte.

Så här aktiverar du funktionen kanal-punch-through:

- Tryck på knappen för önskad enhet (t.ex. TV).
- Håll knappen PROG+ intryckt.
- Tryck på knappen för önskad enhet (t.ex. SAT).
- Släpp knappen PROG+ (lysdioden blinkar en gång när inställningen är aktiverad).

Så här avaktiverar du funktionen kanal-punch-through:

- Tryck på knappen för önskad enhet (t.ex. TV).

- Håll knappen PROG- intryckt.
- Tryck på knappen för önskad enhet (t.ex. SAT).
- Släpp knappen PROG- (lysdioden blinkar två gånger när inställningen avaktiveras).

6.2 Ljudstyrke-punch-through

Med funktionen ljudstyrke-punch-through kan kommandona VOL + eller VOL- kringgå den enhet som styrs och ställa in ljudstyrkan i en annan enhet. Övriga kommandon påverkas inte.

Så här aktiverar du funktionen ljudstyrke-punch-through:

- Tryck på knappen för önskad enhet (t.ex. TV).
- Håll knappen VOL+ intryckt.
- Tryck på knappen för önskad enhet (t.ex. SAT).
- Släpp knappen VOL+ (lysdioden blinkar en gång när inställningen är aktiverad).

Så här avaktiverar du funktionen ljudstyrke-punch-through:

- Tryck på knappen för önskad enhet (t.ex. TV).
- Håll knappen VOL- intryckt.
- Tryck på knappen för önskad enhet (t.ex. SAT).
- Släpp knappen VOL- (lysdioden blinkar två gånger när inställningen avaktiveras).

6.3 Macro Power

Med Macro Power kan du sätta på och stänga av två AV-enheter samtidigt.

Så här aktiverar du funktionen Macro Power:

- Tryck på knappen för önskad enhet (t.ex. TV).
- Håll knappen POWER intryckt.
- Tryck på knappen för önskad enhet (t.ex. SAT).
- Släpp knappen POWER (lysdioden blinkar en gång när inställningen är aktiverad).

Så här avaktiverar du funktionen Macro Power:

- Tryck på knappen för önskad enhet (t.ex. TV).
- Håll knappen POWER intryckt.
- Tryck på knappen för önskad enhet (t.ex. SAT).
- Släpp knappen POWER (lysdioden blinkar två gånger när inställningen avaktiveras).

7. Skötsel

- Använd aldrig gamla och nya batterier samtidigt i universalfjärrkontrollen eftersom gamla batterier håller på att ta slut och innebär sämre prestanda.
- Rengör aldrig universalfjärrkontrollen med skurmedel eller aggressiva rengöringsmedel.
- Håll universalfjärrkontrollen fri från damm genom att rengöra den med en torr, mjuk trasa.

8. Åtgärda fel

F. Min universalfjärrkontroll fungerar inte!

S. Kontrollera AV-enheten. Om AV-enhetens strömbrytare är avstängd kan universalfjärrkontrollen inte styra AV-enheten.

S. Kontrollera att batterierna är rätt isatta och att polerna är rättvända.

S. Kontrollera att du har tryckt på rätt enhetsknapp för enheten.

S. Byt batterier om batterinivån är låg.

F. Om märket på min AV-enhet har flera enhetskoder, hur väljer jag den riktiga?

S. För att hitta rätt enhetskod för AV-enheten testar du koderna en i taget tills de flesta knapparna fungerar som de ska.

F. Min AV-enhet reagerar bara på några knapptryckningar.

S. Testa andra koder tills de flesta knapparna fungerar som de ska.

F. Märket på min AV-enhet finns inte i kodlistan.

S. Använd i så fall den manuella kodsökningen (avsnitt 5.2) eller den automatiska kodsökningen (avsnitt 5.3). Vid kodsökningen testas alla koder för en enhetstyp för samtliga fabrikat, alltså t.ex. alla koder för SAT-mottagare oberoende av tillverkare.

F. Jag har provat alla koder i kodlistan för märket på min AV-enhet, men ingen av dessa koder fungerar.

S. Använd i så fall den manuella kodsökningen (avsnitt 5.2) eller den automatiska kodsökningen (avsnitt 5.3). Vid kodsökningen testas alla koder för en enhetstyp för samtliga fabrikat, alltså t.ex. alla koder för SAT-mottagare oberoende av tillverkare.

9. Garantifriskrivning

Hama GmbH & Co KG övertar ingen form av ansvar eller garanti för skador som beror på olämplig installation, montering och olämplig produktanvändning eller på att bruksanvisningen och/eller säkerhetsinformationen inte följs.

Универсальный пульт дистанционного управления

Благодарим вас за выбор изделия Nana!
Перед использованием внимательно прочтите следующие инструкции и указания. Храните это руководство в безопасном месте для последующего использования.

Функциональные кнопки (модели "4 в 1" и "8 в 1")

1. Кнопка беззвучного режима
2. Кнопки выбора устройства
3. Текст ВКЛ.: включить телетекст
4. Остановить: остановить текущую страницу телетекста
5. ◀◀ Обратная перемотка/красный
 - ▶ Воспроизведение/желтый
 - ▶▶ Быстрая перемотка вперед/синий
 - Начать запись
 - Стоп/зеленый
 - || Пауза/пурпурный
6. Кнопка Shift
7. Меню: открыть меню устройства
8. Кнопка режима для выбора вторичной группы устройств (только для модели "8 в 1": AUX, DVBT, CBL, AMP)
9. Vol+/Vol-: регулировка громкости
10. Setup: настройки дистанционного пульта управления
11. Цифровые кнопки 0–9
12. Smart TV: открыть меню Smart TV (если поддерживается оконечным устройством)
Shift+Smart TV: выбрать внешний источник AV
13. APPS: открыть меню приложений (если поддерживается оконечным устройством)
Shift+APPS: переключиться на двузначный номер телеканалов
14. PROG+/PROG-: выбор программы, вверх/вниз
15. EXIT: выход из меню устройства
16. OK: подтвердить выбор
17. EPG: электронный телегид (если поддерживается выбранным устройством AV)
18. Информация: информация на экране (если поддерживается устройством AV)
19. Текст ВЫКЛ.: выйти из режима телетекста
20. Питание: ВКЛ./ВЫКЛ./СВЕТОДИОД

1. Пояснения к предупреждающим знакам и указаниям**Предупреждение**

Используется для обозначения указаний по технике безопасности или для акцентирования внимания на особых опасностях и рисках.

Указание

Используется для дополнительного обозначения информации или важных указаний.

**2. Комплект поставки**

- Универсальный пульт дистанционного управления
- Список кодов
- Данное руководство по эксплуатации
- 2 элемента питания AAA

3. Указания по технике безопасности

- Не используйте универсальный пульт дистанционного управления в условиях влажности и не допускайте попадания на него водяных брызг.
- Держите универсальный пульт дистанционного управления на безопасном расстоянии от источников тепла и не подвергайте его прямому воздействию солнечного излучения.
- Универсальный пульт дистанционного управления, как и все электрические приборы, следует беречь от детей!
- Изделие предназначено только для домашнего некоммерческого применения.
- Используйте изделие исключительно в предусмотренных целях.
- Защищайте изделие от загрязнения, влаги и перегрева, используйте его только в сухих помещениях.
- Не применяйте в запретных зонах.
- Избегайте падения устройства и не подвергайте его сильным вибрациям.
- Не вносите в изделие конструктивные изменения. В противном случае любые гарантийные обязательства теряют свою силу.
- Не допускайте детей к упаковочному материалу, существует опасность удушья.
- Сразу утилизируйте упаковочный материал согласно действующим местным предписаниям по утилизации.
- При использовании изделия не допускайте превышения предела мощности, указанного в технических характеристиках.
- Не вскрывайте изделие и не используйте его при наличии повреждений.
- Не пытайтесь самостоятельно выполнять техническое обслуживание или ремонт изделия. Ремонт разрешается производить только квалифицированному персоналу.
- Используйте изделие только при приемлемых климатических условиях.

Предупреждение — батареи



- Соблюдайте полярность батарей (+ и -) и вставляйте их соответствующим образом. Несоблюдение полярности может стать причиной взрыва батарей.
- Разрешается применять батареи только указанного типа. Сохраните инструкции по правильному выбору батареи в руководствах по эксплуатации устройств для дальнейшего использования.
- Перед загрузкой батарей почистите контакты.
- Детям запрещается заменять батареи без присмотра взрослых.
- Заменяйте батареи только всем комплектом.
- Не используйте различные типы или новые и старые батареи вместе.
- В случае большого перерыва в эксплуатации удалите батареи из устройства (кроме случаев, когда изделие применяется в качестве аварийного).
- Не закорачивайте контакты батарей.
- Не заряжайте обычные батареи.
- Не бросайте батареи в огонь и не нагревайте их.
- Не открывайте, не разбирайте, не глотайте и не утилизируйте батареи с бытовым мусором. В батареях могут содержаться вредные тяжелые металлы.
- Использованные батареи немедленно вынимайте из прибора и утилизируйте.
- Не храните, не заряжайте и не используйте устройство при очень низких и очень высоких температурах и очень низком атмосферном давлении (например, на больших высотах).
- Внимание: избегайте контакта батарей с поврежденным корпусом с водой.
- Храните батареи в безопасном месте и не давайте их детям.



4. Первые шаги — установка элементов питания

Указание



- Рекомендуется использовать щелочные элементы питания. Используйте два элемента питания типа "AAA" (LR 03/Micro).
- Снимите крышку отсека для элементов питания, расположенного на обратной стороне универсального пульта дистанционного управления (А).
- Вставьте элементы питания с учетом отметок "+/-", обозначающих полярность (В).
- Закройте отсек для элементов питания (С).

Примечание: Память кодов



При замене элементов питания все запрограммированные вами коды сохраняются в течение 10 мин. Обратите внимание: не нажимайте никаких кнопок до установки в пульт новых элементов питания. При нажатии кнопки и отсутствии элементов питания в пульте дистанционного управления все коды будут удалены.

Примечание: Режим энергосбережения



Пульт дистанционного управления выключается автоматически, если кнопка удерживается нажатой более 15 с. Это продлевает срок службы элементов питания при нахождении пульта дистанционного управления в месте, где его кнопки постоянно нажаты, например между подушками дивана.

5. Setup

Указание



- Для правильной передачи сигналов через инфракрасный порт всегда направляйте пульт дистанционного управления в примерном направлении нахождения устройства, которым нужно управлять.
- Нажмите кнопку MODE, чтобы выбрать вторичную группу устройств: AUX, AMP, DVB-T, CBL (только для модели «8 в 1»).
- Нажмите кнопку SHIFT для управления синими функциональными кнопками. Функция Shift деактивируется повторным нажатием кнопки SHIFT или автоматически через 30 с, если не будет нажата ни одна кнопка.
- Если в течение 30 с не будет выполнен ввод, режим SETUP автоматически завершается. Светодиод мигает шесть раз и затем выключается.
- Любой тип устройства можно программировать любой кнопкой, например, один телевизор может программироваться под DVD, AUX и т. д.
- С помощью универсального пульта дистанционного управления нельзя управлять устройством, пока оно находится в режиме Setup. Выйдите из режима Setup и выберите нужное устройство кнопками для выбора устройства.
- Обратите внимание, что пульт дистанционного управления излучает инфракрасные сигналы. Они не видны человеческому глазу.

5.1 Непосредственный ввод кода

В комплект поставки универсального пульта дистанционного управления входит список кодов. В этот список включены пятизначные коды для настройки пульта

дистанционного управления к AV-устройствам большинства известных производителей. Для лучшей ориентации коды отсортированы по типу устройства (телевизор, DVD-плеер и т. д.), а внутри типа устройства — по названию марки в алфавитном порядке. Вы можете использовать следующий QR-код, чтобы создать список кодов, доступных для марки вашего оконечного устройства.



<https://support.hama.com/codefinder>

5.1.1 Включите устройство, которым вы хотите управлять.

5.1.2 Нажимайте кнопку SETUP, пока светодиод не будет гореть непрерывно.

5.1.3 С помощью кнопки устройства выберите нужное устройство (например, телевизор). При успешном выборе светодиод мигнет один раз и затем будет гореть непрерывно.

5.1.4 Выполните поиск в списке кодов по марке и типу нужного устройства.

5.1.5 Введите соответствующий пятизначный код с помощью цифровых кнопок 0–9. Светодиод подтверждает ввод каждой отдельной цифры коротким миганием и гаснет после ввода пятой цифры.

5.1.6 Затем протестируйте пульт дистанционного управления, чтобы убедиться в том, что с его помощью можно управлять нужными функциями. Возможны ситуации, когда первый код не будет являться наиболее подходящим, в некоторых случаях не будут доступны все функции. В этом случае попробуйте следующий указанный код для выбранного типа/марки устройства из соответствующего списка.

Указание

- Действительный код сохраняется автоматически.
- В случае недействительного кода светодиод мигает шесть раз и затем гаснет. Повторите шаги 5.1.1–5.1.5 или используйте другой способ ввода кода.

5.2 Ручной поиск кода

Универсальный пульт дистанционного управления оснащен внутренней памятью, в которой уже сохранено до 350 кодов для наиболее популярных AV-устройств. Вы можете последовательно проверять эти коды до тех пор, пока не получите ответ от нужного устройства. Например, устройство выключится (кнопка POWER) или произойдет переключение телеканала (кнопка PROG+/PROG-).

5.2.1 Включите устройство, которым вы хотите управлять.

5.2.2 Нажимайте кнопку SETUP, пока светодиод не будет гореть непрерывно.

5.2.3 С помощью кнопки устройства выберите нужное устройство (например, телевизор). При успешном выборе светодиод мигнет один раз и затем будет гореть непрерывно.

5.2.4 Нажимайте кнопку POWER или PROG+/PROG- для переключения предустановленных кодов до тех пор, пока нужное устройство не отреагирует.

5.2.5 Нажмите кнопку OK, чтобы сохранить код и выйти из режима поиска кода. Светодиод погаснет.

5.2.6 Затем протестируйте пульт дистанционного управления, чтобы убедиться в том, что с его помощью можно управлять нужными функциями. Возможны ситуации, когда первый код не будет являться наиболее подходящим или в некоторых случаях не будут доступны все функции. В этом случае повторите шаги 5.2.1–5.2.5. Поиск кода запускается с кода, который следует за сохраненным последним.

Указание

- Во внутренней памяти можно сохранить не более 350 кодов для наиболее популярных устройств. С учетом большого разнообразия доступных на рынке AV-устройств может случиться так, что будут доступны только основные функции. В этом случае повторите шаги 5.2.1–5.2.5, чтобы найти более подходящий код. Для некоторых специальных моделей устройств код может не потребоваться.

5.3 Автоматический поиск кода

В режиме автоматического поиска кода используются те же предустановленные коды, что и при ручном поиске (5.2). Но универсальный пульт дистанционного управления автоматически выполняет поиск кода до тех пор, пока от нужного устройства не поступит ответная реакция. Например, устройство выключится (кнопка POWER) или произойдет переключение телеканала (кнопка PROG+/PROG-).

5.3.1 Включите устройство, которым вы хотите управлять.

5.3.2 Нажимайте кнопку SETUP, пока светодиод не будет гореть непрерывно.

5.3.3 С помощью кнопки устройства выберите нужное устройство (например, телевизор). При успешном выборе светодиод мигнет один раз и затем будет гореть непрерывно.

5.3.4 Нажмите кнопку PROG+/PROG- или POWER для запуска автоматического поиска кода. Светодиод мигнет один раз и затем будет гореть непрерывно. Пройдет 6 секунд, пока универсальный пульт дистанционного управления не начнет первый поиск.

Примечание:

Настройка скорости поиска

- Стандартной настройкой времени поиска является 1 с/код. Если вас это не устраивает, можно переключиться на настройку 3 с/код. Для переключения между настройками времени поиска нажмите кнопку PROG+ или PROG- в течение 6 секунд перед началом автоматического поиска кода.

- 5.3.5 Светодиод подтверждает выполнение соответствующего поиска кодов отдельными миганиями.
- 5.3.6 Как только нужное устройство отреагирует, нажмите кнопку ОК, чтобы сохранить код и выйти из режима поиска кода. Светодиод погаснет.
- 5.3.7 Затем протестируйте пульт дистанционного управления, чтобы убедиться в том, что с его помощью можно управлять нужными функциями. Возможны ситуации, когда первый код не будет являться наиболее подходящим или в некоторых случаях не будут доступны все функции. В этом случае повторите шаги 5.3.1–5.3.6. Поиск кода запускается с кода, который следует за сохраненным последним.
- 5.3.8 Для отмены автоматического поиска нажмите кнопку EXIT во время поиска.

Указание

- Если в режиме поиска не сработал ни один код, универсальный пульт дистанционного управления выходит из режима автоматического поиска кода и автоматически возвращается в рабочий режим. Текущий сохраненный код остается без изменений.

5.4 Распознавание кода

Функция распознавания кода позволяет определять уже сохраненный вами код.

- 5.4.1 Нажимайте кнопку SETUP, пока светодиод не будет гореть непрерывно.
- 5.4.2 С помощью кнопки устройства выберите нужное устройство (например, телевизор). При успешном выборе светодиод мигнет один раз и затем будет гореть непрерывно.

5.4.3 Нажмите кнопку SETUP. Светодиод мигнет один раз и затем будет гореть непрерывно.

5.4.4 Для поиска по первой цифре нажмите одну из цифровых кнопок 0–9. Светодиод мигает один раз для подтверждения первой цифры пятизначного кода.

5.4.5 Повторите шаг 5.4.4 для второй, третьей, четвертой и пятой цифры соответственно.

5.4.6 Сохраненный код можно ввести затем в нижеприведенную таблицу на случай, если он потребуется вам впоследствии (например, после ошибочного удаления настроек пульта дистанционного управления).

КОДЫ			
TV	SOUND	STB	DVD
AUX	AMP	CBL	DVBT

6. Спецфункции

6.1 Функция сквозного управления каналами

С помощью функции сквозного управления каналами команды PROG+ или PROG- могут обходить текущее управляемое устройство и переключать телеканалы второго устройства. Всех других команд это не касается.

Порядок активации функции сквозного управления каналами:

- Нажмите кнопку нужного устройства (например, TV).
- Удерживайте нажатой кнопку PROG+.
- Нажмите кнопку нужного устройства (например, SAT).
- Снова отпустите кнопку PROG+ (при активации настройки светодиод мигает один раз).

Порядок деактивации функции сквозного управления каналами:

- Нажмите кнопку нужного устройства (например, TV).
- Удерживайте нажатой кнопку PROG-.
- Нажмите кнопку нужного устройства (например, SAT).
- Отпустите кнопку PROG- (при деактивации настройки светодиод мигает дважды).

6.2 Функция сквозного управления для регулировки громкости

С помощью функции сквозного управления для регулировки громкости команды VOL + или VOL- могут обходить текущее управляемое устройство и

управлять громкостью второго устройства. Всех других команд это не касается.

Порядок активации функции сквозного управления для регулировки громкости:

- Нажмите кнопку нужного устройства (например, TV).
- Удерживайте нажатой кнопку VOL+.
- Нажмите кнопку нужного устройства (например, SAT).
- Отпустите кнопку VOL+ (при активации настройки светодиод мигнет один раз).

Порядок деактивации функции сквозного управления каналами:

- Нажмите кнопку нужного устройства (например, TV).
- Удерживайте нажатой кнопку VOL-.
- Нажмите кнопку нужного устройства (например, SAT).
- Отпустите кнопку VOL- (если настройка деактивируется, светодиод мигает дважды).

6.3 Функция Macro Power

С помощью функции Macro Power можно включать/выключать два AV-устройства одновременно.

Порядок активации функции Macro Power:

- Нажмите кнопку нужного устройства (например, TV).
- Удерживайте нажатой кнопку POWER.
- Нажмите кнопку нужного устройства (например, SAT).
- Отпустите кнопку POWER (при активации функции светодиод мигнет один раз).

Порядок деактивации функции Macro Power:

- Нажмите кнопку нужного устройства (например, TV).
- Удерживайте нажатой кнопку POWER.
- Нажмите кнопку нужного устройства (например, SAT).
- Отпустите кнопку POWER (при деактивации настройки светодиод мигает дважды).

7. Техническое обслуживание

- Никогда не используйте одновременно бывшие в использовании и новые элементы питания в универсальном пульте дистанционного управления, так как бывшие в использовании элементы питания могут протекать и приводить к потере мощности.
- Ни в коем случае не очищайте универсальный пульт дистанционного управления абразивными или агрессивными чистящими средствами.
- Не допускайте попадания пыли в универсальный пульт дистанционного управления — протирайте его сухой мягкой салфеткой.

8. Устранение ошибок

Вопрос Мой универсальный пульт дистанционного управления не работает!

Ответ Проверьте AV-устройство. Если главный выключатель устройства выключен, универсальный пульт дистанционного управления не может управлять этим устройством.

Ответ Проверьте, правильно ли установлены элементы питания, соблюдена ли полярность.

Ответ Проверьте, нажата ли кнопка выбора соответствующего устройства.

Ответ Замените элементы питания при низком уровне их заряда.

Вопрос Если для марки моего AV-устройства в списке имеется несколько кодов, как мне выбрать правильный?

Ответ Для определения правильного кода AV-устройства протестируйте все подходящие коды в последовательном порядке, пока большинство кнопок не будет работать надлежащим образом.

Вопрос Мое AV-устройство реагирует только на некоторые команды, привязанные к кнопкам.

Ответ Попробуйте другие коды, пока большинство кнопок не будет работать надлежащим образом.

Вопрос Марка моего AV-устройства не указана в списке кодов.

Ответ В этом случае используйте ручной поиск кода (см. главу 5.2) или автоматический поиск кода (см. главу 5.3). В ходе этого поиска проверяются все коды для одного типа устройства независимо от его изготовителя, например все коды для спутникового ресивера независимо от изготовителя.

Вопрос Я перепробовал все доступные коды для марки моего AV-устройства из списка кодов, но ни один из упомянутых кодов не работает.

Ответ В этом случае используйте ручной поиск кода (см. главу 5.2) или автоматический поиск кода (см. главу 5.3). В ходе этого поиска проверяются все коды для одного типа устройства независимо от его изготовителя, например все коды для спутникового ресивера независимо от изготовителя.

9. Освобождение от ответственности

Нама GmbH & Co. KG не несет ответственности за повреждения, возникшие в результате ненадлежащей установки, монтажа и ненадлежащего использования изделия или несоблюдения требований руководства по эксплуатации и/или указаний по технике безопасности.

Универсално дистанционно управление

Благодарим Ви, че сте решили да закупите продукт Нама. Отделете време и прочете изцяло следващите инструкции и информации. Моля, запазете това ръководство за по-късна справка на сигурно място.

Функционални бутони (модели 4-в-1, 8-в-1)

1. Спиране на звука
2. Бутони за избор на устройство
3. Текст ВКЛ.: Включване на телетекст
4. Задържане: Задържане на текущата телетекст страница
5. ◀◀ Обратно превъртане/червено
 - ▶ Възпроизвеждане/жълто
 - ▶▶ Превъртане напред/синьо
 - Започване на запис
 - Стоп/зелено
 - || Пауза/пурпурно
6. Бутон Shift
7. Меню: Отваряне на менюто на устройството
8. Бутон за режим, за избор на вторична група устройства (само при модел 8-в-1: AUX, DVBT, CBL, AMP)
9. Vol+/Vol-: Регулиране на силата на звука
10. Setup: Настройки на дистанционното управление
11. Бутони с цифри 0 – 9
12. Smart TV: Отваряне на менюто Smart TV (ако се поддържа от крайното устройство)
Shift+Smart TV: Избор на външен AV източник
13. APPS: Отваряне на меню с приложения (ако се поддържа от крайното устройство)
Shift+APPS: Смяна към двуцифрени номера на канали
14. PROG+/PROG-: Избор на програма, нагоре/надолу
15. EXIT: Напускане на менюто на устройството
16. OK: Потвърждаване на избор
17. EPG: Електронно програмно ръководство (ако се поддържа от избраното AV устройство)
18. Информация: On screen информация (ако се поддържа от AV устройството)
19. Текст ИЗКЛ.: Напускане на телетекста
20. Power: ВКЛ./ИЗКЛ. / Светодиод

1. Обяснение на предупредителни символи и указания

Предупреждение



Използва се, за да обозначава указание за безопасност или за да насочи вниманието към конкретни опасности и рискове.

Указание



Използва се, за да обозначава допълнителна информация или важни указания.

2. Окомплектовка на доставката

- Универсално дистанционно управление
- Списък с кодове
- Това упътване за обслужване
- 2 x AAA батерии

3. Указания за безопасност

- Не използвайте универсалното дистанционно управление в мокри среди и избягвайте контакт с пръски вода.
- Дръжте универсалното дистанционно управление далеч от източници на топлина и не го излагайте на директна слънчева светлина.
- Подобно на всички електрически уреди, универсалното дистанционно управление не трябва да попада в ръцете на деца.
- Продуктът е предвиден за лична, нестопанска битова употреба.
- Използвайте продукта само за предвидената цел.
- Пазете продукта от замърсяване, влага и прегряване и го използвайте само в сухи помещения.
- Не използвайте продукта в зони, в които не са разрешени електронни продукти.
- Не позволявайте на продукта да пада и не го излагайте на силни вибрации.
- Не правете промени в уреда. Така ще загубите право на всякакви гаранционни претенции.
- Задължително дръжте малките деца далече от опаковъчния материал, има опасност от задушаване.
- Изхвърлете опаковъчния материал веднага съгласно действащите на място разпоредби за изхвърляне на отпадъци.
- Не използвайте продукта извън неговите граници на мощността, посочени в техническите данни.
- Не отваряйте продукта и при повреда не продължавайте да го използвате.
- Не се опитвайте сами да обслужвате или ремонтирате продукта. Оставете всякаква техническа поддръжка на компетентните специалисти.
- Използвайте продукта само при умерени климатични условия.

Предупреждение – батерии



- Задължително внимавайте за правилното разположение на полюсите (надписи + и -) на батериите и ги поставяте по съответния начин. При неспазване има опасност от изтичане или експлозия на батериите.
- Използвайте само батерии, които съответстват на посочения тип. Запазете указанията за правилния избор на батерии, които се намират в инструкцията за обслужване на устройството, за по-късна справка.
- Преди поставяне на батериите почистете контактите на батериите и насрещните контакти.
- Не разрешавайте на деца да сменят батерии без надзор.
- Сменяйте всички батерии от един комплект едновременно.
- Не смесвайте стари и нови батерии, както и батерии от различен тип или производител.
- Отстранявайте батериите от продукти, които няма да се използват за по-дълго време (освен ако те не се държат в готовност за спешен случай).
- Не свързвайте батериите нахъсо.
- Не зареждайте батериите.
- Не хвърляйте батерии в огън и не ги загревайте.
- Батериите никога не бива да бъдат отворени, повредени, гълтани или изхвърляни в природата. Те могат да съдържат тежки метали, които са отровни или опасни за околната среда.
- Махнете от продукта и незабавно изхвърлете изхабените батерии.
- Избягвайте съхранение, зареждане и използване при екстремни температури и изключително ниско налягане на въздуха (като например на големи височини).
- Внимавайте батерии с повреден корпус да не влизат в контакт с вода.
- Съхранявайте батериите, недостъпни на деца.



4. Първи стъпки – Поставяне на батериите

Указание



- Препоръчват се алкални батерии. Използвайте две батерии от тип "AAA" (LR 03/Micro).
- Отстранете капачето на отделението за батериите от задната страна на универсалното дистанционно управление (A).
- Поставяте батериите като спазват маркировките "+/-" за полярността (B).
- Затворете отделението за батериите (C).

Указание: Памет за кодове



- При смяна на батериите всички програмирани от Вас кодове остават запазени за до 10 минути. Внимавайте да не натискате никакви бутони, докато новите батерии не бъдат поставени в дистанционното управление. Ако натиснете бутон и в дистанционното управление няма батерии, всички кодове се изтриват.

Указание: Функция за пестене на енергия



- Дистанционното управление се изключва автоматично, ако бутон бъде натиснат за по-дълго от 15 секунди. Това удължава полезния живот на батериите, ако дистанционното управление бъде заключено на място, на което непрекъснато се натискат бутоните, напр. между възглавниците на дивана.

5. Setup

Указание



- За правилно инфрачервено предаване винаги дръжте дистанционното управление в приблизителната посока на управляваното устройство.
- Натиснете бутона "MODE" за избор на вторичната група устройства: AUX, AMP, DVB-T, CBL (само при модел 8-в-1).
- Натиснете бутона "SHIFT" за управление на сините функционални бутони. Функцията Shift се деактивира чрез повторно натискане на бутона "SHIFT" или автоматично след 30 секунди, ако не бъде натиснат никой бутон.
- Ако в рамките на 30 секунди не се извърши въвеждане, SETUP режимът се прекратява автоматично. Светодиодът мига шест пъти и след това изгасва.
- Всеки тип устройство може да бъде програмиран под произволен бутон за устройство, напр. телевизор може да бъде програмиран под DVD, AUX и т.н.
- С универсалното дистанционно управление не можете да обслужвате устройство, докато то се намира в режим Setup. Напуснете режима Setup и изберете устройството за обслужване чрез бутоните за избор на устройство.
- Моля, обърнете внимание на това, че дистанционното управление изпраща инфрачервени сигнали. Те не са видими за човешкото око.

5.1 Директно въвеждане на код

В окомплектовката на доставката на универсалното дистанционно управление се съдържа списък с кодове. Списъкът с кодове съдържа петцифрени кодове за настройка на дистанционното управление за повечето производители на AV устройства. За по-лесно ориентиране кодовете първо са сортирани по вид на устройството (TV, DVD и т.н.), а вътре във вида на устройството по азбучен ред според имената на марките. Чрез следния QR код можете да създадете списък с наличните кодове за марката на Вашето крайно устройство.



<https://support.hama.com/codefinder>

- 5.1.1 Включете устройството за обслужване.
- 5.1.2 Натиснете бутона "SETUP", докато светодиодът светне за постоянно.
- 5.1.3 Чрез бутона за устройства изберете устройството за обслужване (напр. TV). При успешен избор светодиодът мига веднъж и след това свети постоянно.
- 5.1.4 В списъка с кодовете потърсете марката и типа на устройството за обслужване.
- 5.1.5 Въведете съответния петцифрен код чрез бутоните с цифри 0 – 9. Светодиодът потвърждава въвеждането на отделните цифри съответно с по едно кратко мигане и изгасва след петата цифра.
- 5.1.6 След това тествайте дистанционното управление и проверете, дали желаните функции могат да се управляват. Възможно е първият код да не е най-подходящия, евент. не са налични всички функции. В този случай изпробвайте следващия посочен за избрания вид/марка уред код от списъка.

Указание

- Валиден код се запаметява автоматично.
- При невалиден код светодиодът мига шест пъти и след това изгасва. Повторете стъпки 5.1.1 до 5.1.5 или използвайте друг метод за въвеждане на код.

5.2 Ръчно търсене на код

Универсалното дистанционно управление разполага с вътрешна памет, в която вече се съдържат до 350 кода за всеки тип устройство за най-често срещаните AV устройства. Можете да преминете през тези кодове, докато устройството за обслужване покаже реакция. Например устройството за обслужване се изключва (бутон "POWER") или сменя програмата (бутона "PROG+/PROG-").

- 5.2.1 Включете устройството за обслужване.
- 5.2.2 Натиснете бутона SETUP, докато светодиодът светне за постоянно.
- 5.2.3 Чрез бутона за устройства изберете устройството за обслужване (напр. TV). При успешен избор светодиодът мига веднъж и след това свети постоянно.
- 5.2.4 Натиснете бутон "POWER" или "PROG+/PROG-", за да прелистите през предварително настроените кодове, докато устройството за обслужване покаже реакция.
- 5.2.5 Натиснете "OK", за да запаметите кода и да напуснете търсенето на код. Светодиодът изгасва.
- 5.2.6 След това тествайте дистанционното управление и проверете, дали желаните функции могат да се управляват. Възможно е първият намерен код да не е най-подходящия, евент. не са налични всички функции. В този случай повторете стъпки 5.2.1 – 5.2.5. Търсенето на код стартира със следващия код, който следва последно запаметения код.

Указание

- Във вътрешната памет могат да бъдат запаметени максимум 350 кода на най-често срещаните устройства. Поради многобройните срещани се на пазара AV устройства може да се случи, че са на лице само най-често използваните основни функции. В този случай повторете стъпки 5.2.1 до 5.2.5, за да намерите съвместим код. За някои специални модели устройства е възможно да няма наличен код.

5.3 Автоматично търсене на код

Автоматичното търсене на код използва същите предварително настроен кодове като ръчното търсене на код (5.2). Универсалното дистанционно управление претърсва, обаче, кодовете автоматично, докато обслужващото устройство покаже реакция. Например устройството за обслужване се изключва (бутон "POWER") или сменя програмата (бутона "PROG+/PROG-").

- 5.3.1 Включете устройството за обслужване.
- 5.3.2 Натиснете бутона "SETUP", докато светодиодът светне за постоянно.
- 5.3.3 Чрез бутона за устройства изберете устройството за обслужване (напр. TV). При успешен избор светодиодът мига веднъж и след това свети постоянно.
- 5.3.4 Натиснете бутона "PROG+/PROG-" или "POWER", за да стартирате автоматичното търсене на код. Светодиодът мига един път и след това свети постоянно. Отнема 6 секунди, докато универсалното дистанционно устройство започне с първото търсене.

Указание:**Настройка на скоростта на търсене**

- Стандартната настройка за времето за търсене на всеки код е 1 секунда. Ако това не Ви устройва, можете да смените към време за търсене от 3 секунди на всеки код. За да смените между времената за търсене, натиснете "PROG+" или "PROG-" в рамките на 6 секунди преди началото на автоматичното търсене на код.

- 5.3.5 Светодиодът потвърждава съответните търсения на код с единично мигане.
- 5.3.6 След като устройството за обслужване покаже реакция, натиснете бутона "OK", за да запазите кода и да напуснете търсенето на код. Светодиодът изгасва.
- 5.3.7 След това тествайте дистанционното управление и проверете, дали желаните функции могат да се управляват. Възможно е първият намерен код да не е най-подходящия, евент. не са налични всички функции. В този случай повторете стъпки 5.3.1 – 5.3.6.
- Търсенето на код стартира със следващия код, който следва последно запазения код.
- 5.3.8 За да прекъснете автоматичното търсене по време на процеса на търсене, натиснете бутона "EXIT".

Указание

- Ако всички кодове бъдат претърсени без успех, универсалното дистанционно управление напуска автоматичното търсене на код и автоматично се връща в работен режим. Текущо запазеният код остава непроменен.

5.4 Разпознаване на код

Разпознаването на код Ви предлага възможността да определите вече запазения код.

- 5.4.1 Натиснете бутона "SETUP", докато светодиода светне постоянно.
- 5.4.2 Чрез бутона за устройства изберете устройството за обслужване (напр. TV). При успешен избор светодиода мига веднъж и след това свети постоянно.
- 5.4.3 Натиснете бутона "SETUP". Светодиодът мига един път и след това свети постоянно.
- 5.4.4 Натиснете един от бутоните с цифри от 0 до 9 за търсене на първата цифра. Светодиодът мига веднъж за първата цифра на петцифрения номер на кода.

5.4.5 Повторете стъпка 5.4.4 съответно за втората, третата, четвъртата и петата цифра.

5.4.6 След това можете да нанесете определения код в посочената по-долу таблица, ако имате нужда от него в по-късен момент (напр. след изтриване по грешка на настройките на дистанционното управление).

CODES			
TV	SOUND	STB	DVD
AUX	AMP	CBL	DVBT

6. Специални функции**6.1 Punch-Through на програми**

С функцията Punch-Through на програми командите PROG+ или PROG- могат да заобиколят текущо управляваното устройство и да сменят програмите на второ устройство. Всички други команди не са засегнати от това.

Функцията Punch-Through на програми се активира така:

- Натиснете желания бутон за устройство (напр. TV).
- Задръжте натиснат бутона "PROG+".
- Натиснете желания бутон за устройство (напр. SAT).
- Пуснете отново бутона "PROG+" (светодиодът мига веднъж при активирана настройка).

Функцията Punch-Through на програми се деактивира така:

- Натиснете желания бутон за устройство (напр. TV).
- Задръжте натиснат бутона "PROG-".
- Натиснете желания бутон за устройство (напр. SAT).
- Пуснете отново бутона "PROG-" (светодиодът мига два пъти, когато настройката се деактивира).

6.2 Punch-Through на силата на звука

С функцията Punch-Through на силата на звука командите VOL+ или VOL- могат да заобиколят текущо контролираното устройство и да настроят силата на звука на второ устройство. Всички други команди не са засегнати от това.

Функцията Punch-Through на силата на звука се активира така:

- Натиснете желаният бутон за устройство (напр. TV).
- Задръжте натиснат бутона "VOL+".
- Натиснете желаният бутон за устройство (напр. SAT).
- Пуснете отново бутона "VOL+" (светодиодът мига веднъж при активирана настройка).

Функцията Punch-Through на програми се деактивира така:

- Натиснете желаният бутон за устройство (напр. TV).
- Задръжте натиснат бутона "VOL-".
- Натиснете желаният бутон за устройство (напр. SAT).
- Пуснете отново бутона "VOL-" (светодиодът мига два пъти, когато настройката се деактивира).

6.3 Macro Power

С Macro Power можете едновременно да включвате/изключвате две AV устройства.

Функцията Macro Power се активира така:

- Натиснете желаният бутон за устройство (напр. TV).
- Задръжте натиснат бутона "POWER".
- Натиснете желаният бутон за устройство (напр. SAT).
- Пуснете отново бутона "POWER" (светодиодът мига веднъж при активирана настройка).

Функцията Macro Power се деактивира така:

- Натиснете желаният бутон за устройство (напр. TV).
- Задръжте натиснат бутона "POWER".
- Натиснете желаният бутон за устройство (напр. SAT).
- Пуснете отново бутона "POWER" (светодиодът мига два пъти, когато настройката се деактивира).

7. Поддръжка

- Никога не използвайте едновременно стари и нови батерии в универсалното дистанционно управление, защото старите батерии имат склонност към изтичане и могат да доведат до загуба на мощност.
- В никакъв случай не почиствайте универсалното дистанционно управление с абразивни средства или агресивни почистващи препарати.
- Поддържайте дистанционното управление чисто от прах, като го почиствате със суха мека кърпа.

8. Отстраняване на неизправности

V. Моето универсално дистанционно управление не функционира!

O. Проверете AV устройството. Ако главният превключвател на устройството е изключен, универсалното дистанционно управление не може да обслужва устройството.

O. Проверете, дали батериите са поставени правилно и полярността е била спазена.

O. Проверете, дали сте натиснали съответния бутон за устройство.

O. При нисък заряд на батериите ги сменете.

V. Ако за марката на моето AV устройство са посочени няколко кода за устройство, как да избира правилния код?

O. За да определите правилния код за AV устройството, тествайте кодовете един след друг, докато повечето бутони функционират правилно.

V. Моето AV устройство реагира само на някои команди от бутони.

O. Опитайте с друг код, докато повечето бутони функционират правилно.

V. Марката на моето AV устройство не е посочена в списъка с кодове.

O. В този случай използвайте ръчното търсене на код (глава 5.2) или автоматичното търсене на код (глава 5.3). При процеса на търсене на код всички кодове за даден тип устройство се тестват без значение от производителя, т.е. напр. всички кодове за SAT приемник, независимо от производителя.

V. Изпробвах всички налични кодове за марката на моето AV устройство от списъка с кодове, но никой от посочените кодове не функционира.

O. В този случай използвайте ръчното търсене на код (глава 5.2) или автоматичното търсене на код (глава 5.3). При процеса на търсене на код всички кодове за даден тип устройство се тестват без значение от производителя, т.е. напр. всички кодове за SAT приемник, независимо от производителя.

9. Изключване на отговорност

Nata GmbH & Co KG не поема отговорност или гаранция за повреди, които са резултат от неправилна инсталация, монтаж и употреба на продукта или от неспазване на ръководството за експлоатация и/или на указанията за безопасност.

Τηλεχειριστήριο γενικής χρήσης

Σας ευχαριστούμε που επιλέξατε ένα προϊόν της Hama. Αφιερώστε χρόνο για να διαβάσετε εξ ολοκλήρου τις παρακάτω οδηγίες και πληροφορίες. Φυλάξτε τις παρούσες οδηγίες σε ασφαλές μέρος για μελλοντική αναφορά.

Πλήκτρα λειτουργίας (μοντέλα 4 σε 1, 8 σε 1)

1. Διακόπτης σίγασης
2. Πλήκτρα για την επιλογή συσκευής
3. EN. κειμένου: Ενεργοποίηση teletext
4. Παραμονή: Παραμονή στην τρέχουσα σελίδα teletext
5. ◀◀ μετακίνηση προς τα πίσω/κόκκινο
▶▶ αναπαραγωγή/κίτρινο
▶▶ μετακίνηση προς τα εμπρός/μπλε
 - έναρξη εγγραφής
 - διακοπή/πράσινο|| παύση/φούξια
6. Πλήκτρο Shift
7. Μενού: Άνοιγμα μενού συσκευής
8. Πλήκτρο λειτουργίας για την επιλογή της δευτερεύουσας ομάδας συσκευών (μόνο στο μοντέλο 8 σε 1: AUX, DVBT, CBL, AMP)
9. Vol+/Vol-: Ρύθμιση έντασης ήχου
10. Διαμόρφωση: Ρυθμίσεις τηλεχειριστηρίου
11. Αριθμητικά πλήκτρα 0–9
12. Smart TV: Άνοιγμα μενού Smart TV (αν υποστηρίζεται από τη συσκευή)
Shift+Smart TV: Επιλογή εξωτερικής πηγής εικόνας/ήχου
13. ΕΦΑΡΜΟΓΕΣ: Άνοιγμα μενού εφαρμογών (αν υποστηρίζεται από τη συσκευή)
Shift+APPS: Μετάβαση σε διψήφιους αριθμούς καναλιών
14. PROG+/PROG-: Επιλογή προγράμματος, προς τα πάνω/προς τα κάτω
15. EXIT: Έξοδος από το μενού συσκευών
16. OK: Επιβεβαίωση επιλογής
17. EPG: Ηλεκτρονικός οδηγός προγραμμάτων (αν υποστηρίζεται από την επιλεγμένη συσκευή εικόνας/ήχου)
18. Info: Πληροφορίες οθόνης (αν υποστηρίζεται από τη συσκευή εικόνας/ήχου)
19. APEN. κειμένου: Έξοδος από teletext
20. Power: ΕΝΕΡΓΟΠΟΙΗΣΗ/ΑΠΕΝΕΡΓΟΠΟΙΗΣΗ / LED

1. Επεξήγηση προειδοποιητικών συμβόλων και υποδείξεων**Προειδοποίηση**

Επισημαίνει προειδοποιήσεις ασφαλείας ή εφιστά την προσοχή σας σε ιδιαίτερους κινδύνους.

**Υπόδειξη**

Επισημαίνει πρόσθετες πληροφορίες ή σημαντικές υποδείξεις.

**2. Περιεχόμενα συσκευασίας**

- Τηλεχειριστήριο γενικής χρήσης
- Λίστα κωδικών
- Το παρόν εγχειρίδιο οδηγιών
- 2x μπαταρίες AAA

3. Προειδοποιήσεις ασφαλείας

- Μη χρησιμοποιείτε το τηλεχειριστήριο γενικής χρήσης σε υγρά περιβάλλοντα και αποφύγετε την επαφή με σταγόνες νερού.
- Κρατήστε το τηλεχειριστήριο γενικής χρήσης μακριά από πηγές θερμότητας και μην το εκθέτετε στο άμεσο φως του ήλιου.
- Το τηλεχειριστήριο γενικής χρήσης, όπως και όλα τα ηλεκτρικά προϊόντα, πρέπει να φυλάσσεται μακριά από τα παιδιά.
- Το προϊόν προορίζεται για προσωπική και όχι για επαγγελματική χρήση.
- Χρησιμοποιείτε το προϊόν αποκλειστικά και μόνο για τον προβλεπόμενο σκοπό χρήσης του.
- Προστατεύετε το προϊόν από βρομίες, υγρασία και υπερθέρμανση και χρησιμοποιείτε το προϊόν μόνο σε στεγνούς χώρους.
- Μην χρησιμοποιείτε το προϊόν σε περιοχές όπου δεν επιτρέπονται ηλεκτρονικές συσκευές.
- Μην αφήνετε το προϊόν να πέφτει και μην το εκθέτετε σε ισχυρούς κραδασμούς.
- Μην προβαίνετε σε τροποποιήσεις του προϊόντος. Κατ' αυτόν τον τρόπο, παύει να ισχύει η εγγύηση.
- Κρατήστε τα παιδιά μακριά από τα υλικά συσκευασίας, καθώς υπάρχει κίνδυνος ασφυξίας.
- Απορρίψτε τα υλικά συσκευασίας αμέσως, σύμφωνα με τους ισχύοντες τοπικούς κανονισμούς για την απόρριψη.
- Μην χρησιμοποιείτε το προϊόν εκτός των ορίων απόδοσής του που αναφέρονται στα τεχνικά στοιχεία.
- Μην ανοίγετε το προϊόν και μη συνεχίζετε να το χρησιμοποιείτε, αν έχουν προκληθεί ζημιές.
- Μην επιχειρήσετε να προβείτε μόνοι σας σε εργασίες συντήρησης ή επισκευής στο προϊόν. Οι εργασίες συντήρησης πρέπει να γίνονται από εξειδικευμένα άτομα.
- Χρησιμοποιείτε το προϊόν μόνο σε ήπιες κλιματικές συνθήκες.

Προειδοποίηση – Μπαταρίες



- Πρέπει να προσέχετε οπωσδήποτε τη σωστή πολικότητα (επιγραφή + και -) των μπαταριών και να τις τοποθετείτε ανάλογα. Η μη τήρηση μπορεί να οδηγήσει σε διαρροή του υγρού ή σε έκρηξη των μπαταριών.
- Χρησιμοποιείτε αποκλειστικά μπαταρίες του προβλεπόμενου τύπου. Φυλάξτε αυτές τις οδηγίες χρήσης συσκευών σε ασφαλές μέρος για μελλοντική χρήση, διότι περιέχουν υποδείξεις για τη σωστή επιλογή μπαταρίας.
- Πριν την τοποθέτηση των μπαταριών καθαρίστε τις επαφές των μπαταριών και τις επαφές του προϊόντος.
- Τα παιδιά δεν επιτρέπεται να αλλάζουν μπαταρίες χωρίς επίβλεψη.
- Αλλάξτε ταυτόχρονα όλες τις μπαταρίες του προϊόντος.
- Μην μπερδεύετε παλιές και καινούριες μπαταρίες, καθώς και μπαταρίες διαφορετικού τύπου και κατασκευαστή.
- Αφαιρέστε τις μπαταρίες από προϊόντα που δεν έχουν χρησιμοποιηθεί για μεγάλο χρονικό διάστημα (εκτός αν θέλετε να τα χρησιμοποιήσετε σε περιπτώσεις έκτακτης ανάγκης).
- Μη βραχυκυκλώνετε τις μπαταρίες.
- Μη φορτίζετε τις απλές μπαταρίες.
- Και μην ζεσταίνετε ή πετάτε τις μπαταρίες στην φωτιά.
- Οι μπαταρίες δεν πρέπει να ανοίγονται, να καταστρέφονται, να καταπίνονται ή να καταλήγουν στο περιβάλλον. Μπορεί να περιέχουν δηλητηριώδη και βλαβερά για το περιβάλλον βαρέα μέταλλα.
- Αφαιρέστε και απορρίψτε τις χρησιμοποιημένες μπαταρίες αμέσως από το προϊόν.
- Αποφύγετε την αποθήκευση, τη φόρτιση και τη χρήση σε ακραίες θερμοκρασίες και σε εξαιρετικά χαμηλή πίεση αέρα (όπως σε μεγάλα υψόμετρα).
- Βεβαιωθείτε ότι οι μπαταρίες με κατεστραμμένο περίβλημα δεν έρχονται σε επαφή με το νερό.
- Φυλάξτε τις μπαταρίες μακριά από παιδιά.



4. Πρώτα βήματα – Τοποθέτηση των μπαταριών

Υπόδειξη



- Συνιστάται η χρήση αλκαλικών μπαταριών. Χρησιμοποιήστε δύο μπαταρίες τύπου "AAA" (LR 03/Micro).
- Αφαιρέστε το κάλυμμα της θήκης μπαταριών στην πίσω πλευρά του τηλεχειριστηρίου γενικής χρήσης (A).
- Τοποθετήστε τις μπαταρίες λαμβάνοντας υπόψη τα σύμβολα πολικότητας "+/-" (B).
- Κλείστε τη θήκη μπαταριών (C).

Υπόδειξη: Αποθήκευση κωδικών



- Όταν αντικαθιστάτε τις μπαταρίες, όλοι οι κωδικοί που έχετε προγραμματίσει παραμένουν αποθηκευμένοι έως και 10 λεπτά. Προσέξτε να μην πατήσετε κανένα κουμπί, μέχρι να έχετε τοποθετήσει τις νέες μπαταρίες στο τηλεχειριστήριο. Εάν πατήσετε ένα κουμπί και δεν υπάρχουν μπαταρίες στο τηλεχειριστήριο, θα διαγραφούν όλοι οι κωδικοί.

Υπόδειξη: Λειτουργία εξοικονόμησης ενέργειας



- Το τηλεχειριστήριο απενεργοποιείται αυτόματα αν δεν πατηθεί κάποιο κουμπί για 15 δευτερόλεπτα. Με αυτό τον τρόπο, παρατείνεται η διάρκεια ζωής των μπαταριών, σε περίπτωση που το τηλεχειριστήριο σφηνώσει σε σημείο στο οποίο τα κουμπιά του παραμένουν πατημένα, π.χ. ανάμεσα σε μαξιλάρια του καναπέ.

5. Διαμόρφωση

Υπόδειξη



- Για την ομαλή μετάδοση των υπερύθρων, κρατάτε το τηλεχειριστήριο πάντα προς την κατεύθυνση της συσκευής που θέλετε να χρησιμοποιήσετε.
- Πατήστε το κουμπί "MODE" για να επιλέξετε τη δευτερεύουσα ομάδα συσκευών: AUX, AMP, DVB-T, CBL (μόνο στο μοντέλο 8 σε 1).
- Πατήστε το κουμπί "SHIFT" για να χειριστείτε τα μπλε κουμπιά λειτουργίας. Η λειτουργία Shift απενεργοποιείται αν πατήσετε ξανά το κουμπί "SHIFT" ή αυτόματα μετά από 30 δευτερόλεπτα, εφόσον δεν πατήσετε κάποιο κουμπί.
- Εάν δεν υπάρξει καταχώριση εντός 30 δευτερολέπτων, η λειτουργία SETUP τερματίζεται αυτόματα. Η λυχνία LED αναβοσβήνει έξι φορές και μετά σβήνει.
- Κάθε τύπος συσκευής μπορεί να προγραμματιστεί με οποιοδήποτε κουμπί της συσκευής. Για παράδειγμα, μπορείτε να προγραμματίσετε μια τηλεόραση με τα κουμπιά DVD, AUX κ.λπ.
- Δεν μπορείτε να χρησιμοποιήσετε μια συσκευή με το τηλεχειριστήριο γενικής χρήσης, εάν βρίσκεται στη λειτουργία διαμόρφωσης. Πρέπει να φύγετε από τη λειτουργία διαμόρφωσης και να επιλέξετε τη συσκευή που θέλετε να χρησιμοποιήσετε, με τα κουμπιά για την επιλογή συσκευής.
- Λάβετε υπόψη ότι το τηλεχειριστήριο εκπέμπει υπέρυθρα σήματα. Τα σήματα αυτά δεν είναι ορατά για το ανθρώπινο μάτι.

5.1 Άμεση καταχώριση κωδικών

Στη συσκευασία του τηλεχειριστηρίου γενικής χρήσης περιλαμβάνεται μια λίστα κωδικών. Η λίστα κωδικών περιέχει πενταψήφιους κωδικούς για τη ρύθμιση του τηλεχειριστηρίου στις περισσότερες συσκευές εικόνας/ήχου. Για δική σας διευκόλυνση, οι κωδικοί ταξινομούνται αρχικά ανά συσκευή (TV, DVD κ.λπ.), καθώς και εντός του τύπου συσκευής αλφαβητικά ανά επωνυμία. Aşağıdaki QR kodundan uc birim cihazınızın markası için mevcut kodları içeren bir liste oluşturunuz.



<https://support.hama.com/codefinder>

- 5.1.1 Ενεργοποιήστε τη συσκευή που θέλετε να χρησιμοποιήσετε.
- 5.1.2 Πατήστε το κουμπί "SETUP", μέχρι να ανάψει σταθερά η λυχνία LED.
- 5.1.3 Επιλέξτε τη συσκευή από το κουμπί της (π.χ. TV). Αφού την επιλέξετε, η λυχνία LED θα αναβοσβήσει μία φορά και μετά θα παραμείνει αναμμένη.
- 5.1.4 Αναζητήστε στη λίστα των κωδικών τη μάρκα και τον τύπο της συσκευής.
- 5.1.5 Πληκτρολογήστε τον σχετικό πενταψήφιο κωδικό με τα αριθμητικά κουμπιά 0–9. Η λυχνία LED επιβεβαιώνει την καταχώριση των μεμονωμένων ψηφίων, αναβοσβήνοντας σύντομα, και σβήνει μετά το πέμπτο ψηφίο.
- 5.1.6 Στη συνέχεια, ελέγξτε αν μπορείτε να χειριστείτε τις επιθυμητές λειτουργίες με το τηλεχειριστήριο. Ενδέχεται ο πρώτος κωδικός να μην είναι ο καταλληλότερος και να μην είναι διαθέσιμες όλες οι λειτουργίες. Σε αυτή την περίπτωση, δοκιμάστε τον επόμενο κωδικό που αναφέρεται στη λίστα κωδικών για τον επιλεγμένο τύπο/μάρκα συσκευής.

Υπόδειξη

- Εάν ο κωδικός είναι έγκυρος, αποθηκεύεται αυτόματα.
- Εάν ο κωδικός δεν είναι έγκυρος, η λυχνία LED αναβοσβήνει έξι φορές και μετά σβήνει. Επαναλάβετε τα βήματα 5.1.1 έως 5.1.5 ή χρησιμοποιήστε άλλο τρόπο για να καταχωρίσετε κωδικούς.

5.2 Μη αυτόματη αναζήτηση κωδικών

Το τηλεχειριστήριο γενικής χρήσης διαθέτει έναν εσωτερικό χώρο αποθήκευσης, στον οποίο περιέχονται ήδη έως 350 κωδικοί ανά τύπο συσκευής για τις πιο κοινές συσκευές εικόνας/ήχου. Μπορείτε να περιηγηθείτε σε αυτούς τους κωδικούς, μέχρι να αντιδράσει η συσκευή που χρησιμοποιείτε. Για παράδειγμα, η συσκευή απενεργοποιείται (κουμπί "POWER") ή αλλάζει κανάλι (κουμπί "PROG+/PROG-").

- 5.2.1 Ενεργοποιήστε τη συσκευή που θέλετε να χρησιμοποιήσετε.
- 5.2.2 Πατήστε το κουμπί "SETUP", μέχρι να ανάψει σταθερά η λυχνία LED.
- 5.2.3 Επιλέξτε τη συσκευή από το κουμπί της (π.χ. TV). Αφού την επιλέξετε, η λυχνία LED θα αναβοσβήσει μία φορά και μετά θα παραμείνει αναμμένη.
- 5.2.4 Πατήστε το κουμπί "POWER" ή "PROG+/PROG-" για να περιηγηθείτε στους προρυθμισμένους κωδικούς, μέχρι να αντιδράσει η συσκευή.
- 5.2.5 Πατήστε "OK" για να αποθηκεύσετε τον κωδικό και να φύγετε από την αναζήτηση κωδικών. Η λυχνία LED σβήνει.
- 5.2.6 Στη συνέχεια, ελέγξτε αν μπορείτε να χειριστείτε τις επιθυμητές λειτουργίες με το τηλεχειριστήριο. Ενδέχεται ο πρώτος κωδικός που βρέθηκε να μην είναι ο καταλληλότερος και να μην είναι διαθέσιμες όλες οι λειτουργίες. Σε αυτή την περίπτωση, επαναλάβετε τα βήματα 5.2.1–5.2.5. Η αναζήτηση κωδικών ξεκινά με τον κωδικό που είναι επόμενος του κωδικού που αποθηκεύτηκε τελευταίος.

Υπόδειξη

- Στον εσωτερικό χώρο αποθήκευσης μπορούν να αποθηκευτούν έως 350 κωδικοί των πιο κοινών συσκευών. Επειδή στην αγορά κυκλοφορούν πολυάριθμες συσκευές εικόνας/ήχου, ενδέχεται να είναι διαθέσιμες μόνο οι πιο κοινές βασικές λειτουργίες. Σε αυτή την περίπτωση, επαναλάβετε τα βήματα 5.2.1 έως 5.2.5, για να βρείτε έναν πιο συμβατό κωδικό. Για ορισμένα ειδικά μοντέλα συσκευών, μπορεί να μην υπάρχει διαθέσιμος κωδικός.

5.3 Αυτόματη αναζήτηση κωδικών

Στην αυτόματη αναζήτηση κωδικών χρησιμοποιούνται οι ίδιοι προρυθμισμένοι κωδικοί, όπως στη μη αυτόματη αναζήτηση κωδικών (5.2). Ωστόσο, το τηλεχειριστήριο γενικής χρήσης αναζητά αυτόματα τους κωδικούς, μέχρι να αντιδράσει η συσκευή που χρησιμοποιείται. Για παράδειγμα, η συσκευή απενεργοποιείται (κουμπί "POWER") ή αλλάζει κανάλι (κουμπί "PROG+/PROG-").

- 5.3.1 Ενεργοποιήστε τη συσκευή που θέλετε να χρησιμοποιήσετε.
- 5.3.2 Πατήστε το κουμπί "SETUP", μέχρι να ανάψει σταθερά η λυχνία LED.
- 5.3.3 Επιλέξτε τη συσκευή από το κουμπί της (π.χ. TV). Αφού την επιλέξετε, η λυχνία LED θα αναβοσβήσει μία φορά και μετά θα παραμείνει αναμμένη.

5.3.4 Πατήστε το κουμπί "PROG+/PROG-" ή "POWER", για να ξεκινήσει η αυτόματη αναζήτηση κωδικών. Η λυχνία LED αναβοσβήνει μία φορά και μετά παραμένει αναμμένη. Το τηλεχειριστήριο γενικής χρήσης ξεκινά την πρώτη αναζήτηση μετά από 6 δευτερόλεπτα.

Υπόδειξη:

Ρύθμιση της ταχύτητας αναζήτησης

- Η βασική ρύθμιση για τη διάρκεια αναζήτησης είναι 1 δευτερόλεπτο ανά κωδικό. Εάν δεν σας ταιριάζει αυτό, μπορείτε να αλλάξετε σε διάρκεια αναζήτησης 3 δευτερόλεπτων ανά κωδικό. Για να αλλάξετε τη διάρκεια αναζήτησης, πατήστε "PROG+" ή "PROG-" εντός των 6 δευτερολέπτων που μεσολαβούν πριν από την έναρξη της αυτόματης αναζήτησης κωδικών.

5.3.5 Η λυχνία LED επιβεβαιώνει τις σχετικές αναζητήσεις κωδικών, αναβοσβήνοντας μία φορά.

5.3.6 Όταν αντιδράσει η συσκευή, πατήστε το κουμπί "OK" για να αποθηκεύσετε τον κωδικό και να φύγετε από την αναζήτηση κωδικών. Η λυχνία LED σβήνει.

5.3.7 Στη συνέχεια, ελέγξτε αν μπορείτε να χειριστείτε τις επιθυμητές λειτουργίες με το τηλεχειριστήριο. Ενδέχεται ο πρώτος κωδικός που βρέθηκε να μην είναι ο καταλληλότερος και να μην είναι διαθέσιμες όλες οι λειτουργίες. Σε αυτή την περίπτωση, επαναλάβετε τα βήματα 5.3.1–5.3.6.

Η αναζήτηση κωδικών ξεκινά με τον κωδικό που είναι επόμενος του κωδικού που αποθηκεύτηκε τελευταίος.

5.3.8 Για να διακόψετε την αυτόματη αναζήτηση κατά τη διαδικασία αναζήτησης, πατήστε το κουμπί "EXIT".

Υπόδειξη

- Αφού ολοκληρωθεί η περιήγηση σε όλους τους κωδικούς χωρίς επιτυχία, το τηλεχειριστήριο γενικής χρήσης σταματά την αυτόματη αναζήτηση κωδικών και επιστρέφει αυτόματα σε κατάσταση λειτουργίας. Ο τρέχων αποθηκευμένος κωδικός παραμένει ως έχει.

5.4 Αναγνώριση κωδικών

Με την αναγνώριση κωδικών έχετε τη δυνατότητα να βρείτε έναν κωδικό που έχετε ήδη αποθηκεύσει.

5.4.1 Πατήστε το κουμπί "SETUP", μέχρι να ανάψει σταθερά η λυχνία LED.

5.4.2 Επιλέξτε τη συσκευή από το κουμπί της (π.χ. TV). Αφού την επιλέξετε, η λυχνία LED θα αναβοσβήσει μία φορά και μετά θα παραμείνει αναμμένη.

5.4.3 Πατήστε το κουμπί "SETUP". Η λυχνία LED αναβοσβήνει μία φορά και μετά παραμένει αναμμένη.

5.4.4 Για την αναζήτηση των πρώτων ψηφίων, πατήστε ένα από τα αριθμητικά κουμπιά 0 έως 9. Η λυχνία LED αναβοσβήνει μία φορά για τον πρώτο αριθμό του πενταψήφιου κωδικού.

5.4.5 Επαναλάβετε το βήμα 5.4.4 για το δεύτερο, το τρίτο, το τέταρτο και το πέμπτο ψηφίο.

5.4.6 Στη συνέχεια, μπορείτε να καταχωρίσετε τον κωδικό στον παρακάτω πίνακα, σε περίπτωση που τον χρειαστείτε στο μέλλον (π.χ. εάν διαγράψετε κατά λάθος τις ρυθμίσεις του τηλεχειριστηρίου).

ΚΩΔΙΚΟΙ			
TV	SOUND	STB	DVD
AUX	AMP	CBL	DVBT

6. Ειδικές λειτουργίες

6.1 Punch-Through καναλιών

Με τη λειτουργία Punch-Through καναλιών, οι εντολές PROG+ ή PROG- μπορούν να παρακάμψουν την τρέχουσα συσκευή και να αλλάξουν τα κανάλια μιας δεύτερης συσκευής. Οι υπόλοιπες εντολές δεν επηρεάζονται.

Για να ενεργοποιήσετε τη λειτουργία Punch-Through καναλιών:

- Πατήστε το κουμπί της επιθυμητής συσκευής (π.χ. TV).
- Κρατήστε πατημένο το πλήκτρο "PROG+".
- Πατήστε το κουμπί της επιθυμητής συσκευής (π.χ. SAT).
- Απελευθερώστε το κουμπί "PROG+" (η λυχνία LED αναβοσβήνει μία φορά με ενεργοποιημένη ρύθμιση).

Για να απενεργοποιήσετε τη λειτουργία Punch-Through καναλιών:

- Πατήστε το κουμπί της επιθυμητής συσκευής (π.χ. TV).
- Κρατήστε πατημένο το πλήκτρο "PROG-".
- Πατήστε το κουμπί της επιθυμητής συσκευής (π.χ. SAT).
- Απελευθερώστε το κουμπί "PROG-" (η λυχνία LED αναβοσβήνει δύο φορές με απενεργοποιημένη ρύθμιση).

6.2 Punch-Through έντασης ήχου

Με τη λειτουργία Punch-Through έντασης ήχου, οι εντολές VOL+ και VOL- μπορούν να παρακάμψουν την τρέχουσα συσκευή και να ρυθμίσουν την ένταση μιας δεύτερης συσκευής. Οι υπόλοιπες εντολές δεν επηρεάζονται.

Για να ενεργοποιήσετε τη λειτουργία Punch-Through έντασης ήχου:

- Πατήστε το κουμπί της επιθυμητής συσκευής (π.χ. TV).
- Κρατήστε πατημένο το πλήκτρο "VOL+".
- Πατήστε το κουμπί της επιθυμητής συσκευής (π.χ. SAT).
- Απελευθερώστε το κουμπί "VOL+" (η λυχνία LED αναβοσβήνει μία φορά με ενεργοποιημένη ρύθμιση).

Για να απενεργοποιήσετε τη λειτουργία Punch-Through καναλιών:

- Πατήστε το κουμπί της επιθυμητής συσκευής (π.χ. TV).
- Κρατήστε πατημένο το πλήκτρο "VOL-".
- Πατήστε το κουμπί της επιθυμητής συσκευής (π.χ. SAT).
- Απελευθερώστε το κουμπί "VOL-" (η λυχνία LED αναβοσβήνει δύο φορές με απενεργοποιημένη ρύθμιση).

6.3 Macro Power

Με τη λειτουργία Macro Power μπορείτε να ενεργοποιήσετε/ απενεργοποιήσετε ταυτόχρονα δύο συσκευές εικόνας/ήχου.

Για να ενεργοποιήσετε τη λειτουργία Macro Power:

- Πατήστε το κουμπί της επιθυμητής συσκευής (π.χ. TV).
- Κρατήστε πατημένο το πλήκτρο "POWER".
- Πατήστε το κουμπί της επιθυμητής συσκευής (π.χ. SAT).
- Απελευθερώστε το κουμπί "POWER" (η λυχνία LED αναβοσβήνει μία φορά με ενεργοποιημένη ρύθμιση).

Για να απενεργοποιήσετε τη λειτουργία Macro Power:

- Πατήστε το κουμπί της επιθυμητής συσκευής (π.χ. TV).
- Κρατήστε πατημένο το πλήκτρο "POWER".
- Πατήστε το κουμπί της επιθυμητής συσκευής (π.χ. SAT).
- Απελευθερώστε το κουμπί "POWER" (η λυχνία LED αναβοσβήνει δύο φορές με απενεργοποιημένη ρύθμιση).

7. Συντήρηση

- Μη χρησιμοποιείτε ποτέ ταυτόχρονα παλιές και νέες μπαταρίες στο τηλεχειριστήριο γενικής χρήσης, καθώς οι παλιές μπαταρίες τείνουν να εμφανίζουν διαρροές και να προκαλούν απώλεια ισχύος.
- Μην καθαρίζετε ποτέ το τηλεχειριστήριο γενικής χρήσης με διαβρωτικά ή ισχυρά απορρυπαντικά.
- Διατηρείτε το τηλεχειριστήριο γενικής χρήσης καθαρό από σκόνη, καθαρίζοντάς το με ένα στεγνό μαλακό πανί.

8. Αντιμετώπιση σφαλμάτων

Ε. Το τηλεχειριστήριο γενικής χρήσης δεν λειτουργεί!

A. Ελέγξτε τη συσκευή εικόνας/ήχου. Εάν είναι απενεργοποιημένος ο βασικός διακόπτης της συσκευής, το τηλεχειριστήριο γενικής χρήσης δεν μπορεί να λειτουργήσει.

A. Ελέγξτε ότι έχουν τοποθετηθεί σωστά οι μπαταρίες και με τη σωστή πολικότητα.

A. Βεβαιωθείτε ότι πατήσατε το σχετικό κουμπί για τη συσκευή.

A. Αντικαταστήστε τις μπαταρίες με χαμηλή στάθμη.

E. Εάν υπάρχουν πολλοί κωδικοί συσκευής για τη μάρκα της συσκευής εικόνας/ήχου που έχω, πώς θα διαλέξω τον σωστό κωδικό;

A. Για να επιλέξετε τον σωστό κωδικό συσκευής για τη συσκευή εικόνας/ήχου, δοκιμάστε διαδοχικά τους κωδικούς, μέχρι να λειτουργούν κανονικά τα περισσότερα κουμπιά.

E. Η συσκευή εικόνας/ήχου αντιδρά μόνο σε μερικές εντολές του τηλεχειριστηρίου.

A. Δοκιμάστε άλλους κωδικούς, μέχρι τα περισσότερα κουμπιά να λειτουργούν κανονικά.

E. Η μάρκα της συσκευής εικόνας/ήχου μου δεν αναφέρεται στη λίστα κωδικών.

A. Σε αυτή την περίπτωση, ακολουθήστε τη μη αυτόματη αναζήτηση κωδικών (κεφάλαιο 5.2) ή την αυτόματη αναζήτηση κωδικών (κεφάλαιο 5.3). Κατά την αναζήτηση κωδικών, ελέγχονται όλοι οι κωδικοί για έναν τύπο συσκευής, ανεξαρτήτως κατασκευαστή. Για παράδειγμα, δοκιμάζονται όλοι οι κωδικοί για δέκτες SAT.

F. Έχω δοκιμάσει όλους τους κωδικούς που υπάρχουν για τη συσκευή εικόνας/ήχου μου, αλλά δεν λειτουργεί κανένας από αυτούς.

A. Σε αυτή την περίπτωση, ακολουθήστε τη μη αυτόματη αναζήτηση κωδικών (κεφάλαιο 5.2) ή την αυτόματη αναζήτηση κωδικών (κεφάλαιο 5.3). Κατά την αναζήτηση κωδικών, ελέγχονται όλοι οι κωδικοί για έναν τύπο συσκευής, ανεξαρτήτως κατασκευαστή. Για παράδειγμα, δοκιμάζονται όλοι οι κωδικοί για δέκτες SAT.

9. Αποποίηση ευθύνης

Η Hama GmbH & Co KG δεν αναλαμβάνει καμία ευθύνη ή εγγύηση για ζημιές οι οποίες προκλήθηκαν από εσφαλμένη εγκατάσταση και συναρμολόγηση, από εσφαλμένη χρήση του προϊόντος ή από μη τήρηση του εγχειριδίου οδηγιών ή/και των προειδοποιήσεων ασφαλείας.

Üniversal uzaktan kumanda

Bir Hama ürünü satın almaya karar verdiğiniz için teşekkür ederiz. Biraz zaman ayırıp aşağıdaki talimatları ve bilgileri tamamen okuyun. Lütfen bu kılavuzu daha sonra başvurabilmek için güvenli bir yerde saklayın.

Fonksiyon tuşları (modeller 4'ü 1 arada, 8'i 1 arada)

1. Sessize alma tuşu
2. Cihaz seçimi tuşu
3. Metin AÇIK: Teletext aç
4. Tutma: Mevcut teletext sayfasını tut
5. ◀◀ geri sarma/kırmızı
 - ▶ oynatma/sarı
 - ▶▶ hızlı ileri sarma/mavi
 - kaydı başlatma
 - durdurma/yeşil
 - || Duraklat/magenta
6. Shift tuşu
7. Menü: Cihaz menüsünü aç
8. İkincil cihaz grubunu seçmek için mod düğmesi (sadece 8', 1 arada modelde: AUX,DVBT,CBL,AMP)
9. Vol+/Vol-: Ses seviyesi ayarı
10. Kurulum: Uzaktan kumandanın ayarları
11. Rakam tuşları, 0-9
12. Smart TV: Smart TV menüsünü açın (nihai cihaz tarafından destekleniyorsa)
Shift+Smart TV: harici AV kaynağı seç
13. APPS (Uygulamalar): Uygulama menüsünü aç (nihai cihaz tarafından destekleniyorsa)
Shift+APPS : iki basamaklı kanal numaralarına geçiş yap
14. PROG+/PROG-: Program seçimi, yukarıya ve aşağıya doğru
15. EXIT: Cihaz menüsünden çık
16. OK: Seçimi onayla
17. EPG: Elektronik program rehberi (seçilen AV cihazı tarafından destekleniyorsa)
18. Info: Ekran bilgileri (AV cihazı tarafından destekleniyorsa)
19. Metin KAPALI: Teletextten çık
20. Güç: AÇMA/KAPATMA / LED

1. Uyarı sembollerinin ve açıklamaların açıklaması**Uyarı**

Güvenlik açıklamalarını işaretlemek veya özel tehlikelere ve risklere karşı dikkat çekmek için kullanılır.

Açıklama

Ek olarak bilgileri veya önemli açıklamaları işaretlemek için kullanılır.

2. Teslimat kapsamı

- Üniversal uzaktan kumanda
- Kod listesi
- Bu kullanım kılavuzu
- 2x AAA pil

3. Güvenlik açıklamaları

- Üniversal uzaktan kumanda nemli ortamlarda kullanmayın ve su sıçramasından kaçının.
- Üniversal uzaktan kumandayı ısı kaynaklarından uzak tutun ve doğrudan güneş ışınlarına maruz bırakmayın.
- Üniversal uzaktan kumanda, tüm elektrikli cihazlar gibi, çocukların eline geçmemelidir.
- Bu ürün özel, ticari olmayan kullanım için öngörülmüştür.
- Ürünü sadece öngörülen amaç için kullanın.
- Ürünü kir, nem ve aşırı ısınmaya karşı koruyun ve sadece kuru ortamlarda kullanın.
- Ürünü elektronik cihazların kullanılmasına izin verilmeyen alanlarda kullanmayın.
- Ürünü düşürmeyin ve sert darbelere maruz bırakmayın.
- Üründe herhangi bir değişiklik yapmayın. Aksi takdirde her türlü garanti talebiniz kaybolur.
- Çocukları mutlaka ambalaj malzemesinden uzak tutun, boğulma tehlikesi mevcuttur.
- Ambalaj malzemesini derhal yerel imha yönetmeliklerine göre imha edin.
- Ürünü, teknik verilerde belirtilen performans sınırlarının dışında çalıştırmayın.
- Ürünü açmayın ve hasar görmesi durumunda çalıştırmaya devam etmeyin.
- Ürünün bakımını veya onarımını kendiniz yapmaya çalışmayın. Tüm bakım çalışmalarını yetkili usta personele yaptırın.
- Ürünü sadece ılıman iklim koşullarında kullanın.

Uyarı - Piller



- Pilleri yerleştirirken kutuplarının (+ ve - işaretleri) doğru olmasına mutlaka dikkat edin. Dikkat edilmediğinde pil akabilir veya patlayabilir.
- Sadece belirtilen tipe uygun piller kullanın. Cihazların kullanım kılavuzlarındaki doğru pil seçimine yönelik bilgileri daha sonra başvurmak üzere saklayın.
- Pilleri yerleştirmeden önce pil kontaklarını ve karşı kontakları temizleyin.
- Çocukların denetim altında olmadan pil değiştirmelerine izin vermeyin.
- Bir set içindeki pillerin hepsini aynı zamanda değiştirin.
- Eski ve yeni pillerle farklı tip ve üreticilere ait pilleri birlikte kullanmayın.
- Uzun süre kullanılmayacak ürünlerden pilleri çıkarın (acil bir durum için beklentilerinde bu durum geçerli değildir).
- Pillere kısa devre yapmayın.
- Pilleri şarj etmeyin.
- Pilleri ateşe atmayın ve ısıtmayın.
- Pilleri hiçbir zaman açmayın, zarar vermeyin, yutmayın veya çevreye karışmalarına izin vermeyin. Pillerde zehirli ve çevre sağlığına zararlı ağır metaller mevcut olabilir.
- Bitmiş pilleri derhal üründen çıkartın ve atık toplamaya verin.
- Aşırı sıcaklıklarda ve çok düşük hava basıncında (örn. aşırı yüksekliklerde) depolama, şarj ve kullanımdan kaçının.
- Gövdeleri hasarlı pillerin suyla temas etmemesine dikkat edin.
- Pilleri çocukların erişemeyeceği bir yerde saklayın.



4. İlk adımlar – Pillerin takılması

Açıklama



- Alkali pil tavsiye edilir. "AAA" (LR 03/Micro) tipi iki pil kullanın.
- Üniversal uzaktan kumandanın arka tarafındaki pil bölmesi kapağını çıkartın (A).
- Pilleri, polarite için "+/-" işaretlerini dikkate alarak takın (B).
- Pil bölmesini kapatın (C).

Açıklama: Kod belleği



- Pilleri değiştirirken, tarafınızdan programlanan tüm kodlar 10 dakikaya kadar kayıtlı kalır. Yeni piller uzaktan kumandaya takılana kadar hiçbir tuşa basmamaya dikkat edin. Uzaktan kumandada pil yoksa ve bir tuşa basarsanız, tüm kodlar silinir.

Açıklama: Enerji tasarrufu fonksiyonu



- Bir tuşa 15 saniyeden fazla basıldığında uzaktan kumanda otomatik olarak kapanır. Bu, uzaktan kumanda örn. koltuk yastıklarının arasına sıkışıp bir tuş sürekli basılı kaldığında pilin ömrünü uzatır.

5. Kurulum

Açıklama



- Uzaktan kumandayı, düzgün bir kızılötesi aktarım için her zaman kumanda edilecek cihazın yaklaşık yönüne doğru tutun.
- İkincil cihaz grubunu seçmek için "MODE" tuşuna basın: AUX, AMP,DVB-T, CBL (sadece 8in1 modelinde).
- Mavi fonksiyon tuşlarını kumanda etmek için "SHIFT" tuşuna basın. Shift fonksiyonu, "SHIFT" tuşuna yeniden basıldığında veya başka bir tuşa basılmadığında 30 saniye sonra otomatik olarak devre dışı bırakılır.
- 30 saniye içerisinde başka bir giriş gerçekleşmezse KURULUM modu otomatik olarak sonlandırılır. LED altı defa yanıp söner ve sonra söner.
- Her bir cihaz tipi istenilen bir cihaz tuşu altında programlanabilir, örneğin bir televizyon DVD, AUX vs altında programlanabilir.
- Üniversal uzaktan kumanda kurulum modunda olduğu sürece hiçbir cihazı kumanda edemezsiniz. Kurulum modundan çıkın ve cihaz seçme tuşları üzerinden kumanda edilecek cihazı seçin.
- Uzaktan kumandanın kızılötesi sinyaller gönderdiğini dikkate alın. Bunlar, insan gözü tarafından görülemez.

5.1 Doğrudan kod girişi

Üniversal uzaktan kumandanın teslimat kapsamında bir kod listesi mevcuttur. Kod listesi, uzaktan kumandanın çoğu AV cihaz üreticisine ayarlanması için beş basamaklı kodlar içermektedir. Kolay oryantasyon için kodlar öncelikle cihaz türüne (TV,DVD vs) ve cihaz türü içerisinde alfabetik olarak marka isimlerine göre sıralanmıştır. Aşağıdaki QR kodundan uç birim cihazınızın markası için mevcut kodları içeren bir liste oluşturabilirsiniz.



<https://support.hama.com/codefinder>

- 5.1.1 Kumanda edilecek cihazı açın.
- 5.1.2 LED sürekli yanana kadar "SETUP" tuşuna basın.
- 5.1.3 Cihaz tuşu üzerinden, kumanda edilecek cihazı seçin (örn. TV). Seçim başarılı olduğunda LED bir defa yanıp söner ve ardından sürekli yanar.

5.1.4 Kod listesinde, kumanda edilecek cihazın markasını ve tipini arayın.

5.1.5 0-9 rakam tuşları üzerinden ilgili beş basamaklı kodu girin. LED, her bir rakamın girişini kısa süreli yanıp sönmeye ile onaylar ve beşinci rakamdan sonra söner.

5.1.6 Ardından uzaktan kumandayı test edin ve istenilen fonksiyonların kumanda edilip edilmediğini kontrol edin. Muhtemelen ilk kod, en uygun olan kod değildir ve tüm fonksiyonlar kullanılamaz. Bu durumda cihaz türü/ markası için listede belirtilen sonraki kodu deneyin.

Açıklama

- Geçerli bir kod otomatik olarak kaydedilir.
- Geçersiz bir kodda LED altı defa yanıp söner ve ardından söner. 5.1.1 ile 5.1.5 adımlarını tekrarlayın veya kod girişi için başka bir yöntem deneyin.

5.2 Manuel kod araması

Üniversal uzaktan kumanda, içerisinde en yaygın AV cihazları için cihaz tipi başına 350'ye varan kod içeren dahili bir belleğe sahiptir. Bu kodları, kumanda edilecek cihaz tepki verene kadar girebilirsiniz. Örneğin kumanda edilecek cihaz kapanır ("POWER" tuşu) veya kanalı değiştirir ("PROG+/PROG-" tuşu).

5.2.1 Kumanda edilecek cihazı açın.

5.2.2 LED sürekli yanana kadar "SETUP" tuşuna basın.

5.2.3 Cihaz tuşu üzerinden, kumanda edilecek cihazı seçin (örn. TV). Seçim başarılı olduğunda LED bir defa yanıp söner ve ardından sürekli yanar.

5.2.4 Önceden ayarlanmış kodların arasında gezinmek için, kumanda edilecek cihaz tepki verene kadar "Power" veya "PROG+/PROG-" tuşuna basın.

5.2.5 Kodu kaydetmek ve kod aramasından çıkmak için "OK" tuşuna basın. LED söner.

5.2.6 Ardından uzaktan kumandayı test edin ve istenilen fonksiyonların kumanda edilip edilmediğini kontrol edin. Muhtemelen ilk bulunan kod, en uygun olan kod değildir ve tüm fonksiyonlar kullanılamaz. Bu durumda 5.2.1. – 5.2.5 adımlarını tekrarlayın. Kod araması, en son kaydedilen kodu takip eden sonraki kod ile devam eder.

Açıklama

- Dahili bellekte yaygın cihazların maksimum 350 kodu kaydedilebilir. Pazarda temin edilebilen çok sayıda AV cihazı nedeniyle sadece en yaygın ana fonksiyonlar kullanılabilir. Bu durumda, uyumlu bir kod bulabilmek için 5.2.1 ile 5.2.5 adımlarını tekrarlayın. Bazı özel cihaz modelleri için kod olmayabilir.

5.3 Otomatik kod araması

Otomatik kod araması, manuel kod araması (5.2) ile aynı önceden ayarlanmış kodları kullanır. Ancak üniversal uzaktan kumanda, kumanda edilecek cihaz bir tepki verene kadar, kodları otomatik olarak arar. Örneğin kumanda edilecek cihaz kapanır ("POWER" tuşu) veya kanalı değiştirir ("PROG+/PROG-" tuşu).

5.3.1 Kumanda edilecek cihazı açın.

5.3.2 LED sürekli yanana kadar "SETUP" tuşuna basın.

5.3.3 Cihaz tuşu üzerinden, kumanda edilecek cihazı seçin (örn. TV). Seçim başarılı olduğunda LED bir defa yanıp söner ve ardından sürekli yanar.

5.3.4 Otomatik kod aramasını başlatmak için "PROG+/PROG-" veya "POWER" tuşuna basın. LED bir defa yanıp söner ve ardından sürekli yanar. Üniversal uzaktan kumandanın ilk aramaya başlaması 6 saniye sürer.

Açıklama: Arama hızının ayarlanması

- Kod başına arama süresi için standart ayar 1 saniyedir. Bu size uymuyorsa, kod başına 3 saniyelik bir arama süresine geçebilirsiniz. Arama süreleri arasında geçiş yapmak için otomatik aramanın başlamasından önce 6 saniye içerisinde "PROG+" veya "PROG-" tuşuna basın.

5.3.5 LED, ilgili kod aramalarını bir kez yanıp söner onaylar.

5.3.6 Kumanda edilecek cihaz bir tepki verdiğinde, kodu kaydetmek ve kod aramasından çıkmak için "OK" tuşuna basın. LED söner.

5.3.7 Ardından uzaktan kumandayı test edin ve istenilen fonksiyonların kumanda edilip edilmediğini kontrol edin. Muhtemelen ilk bulunan kod, en uygun olan kod değildir ve tüm fonksiyonlar kullanılamaz. Bu durumda 5.3.1. – 5.3.6 adımlarını tekrarlayın.

Kod araması, en son kaydedilen kodu takip eden sonraki kod ile devam eder.

5.3.8 Arama işlemi sırasında otomatik aramayı iptal etmek için "EXIT" tuşuna basın.

Açıklama

- Tüm kodlar başarısız bir şekilde arandığında, üniversal uzaktan kumanda otomatik kod aramasından çıkar ve otomatik olarak işletim moduna geri döner. Güncel olarak kaydedilmiş kod değişmeden kalır.

5.4 Kod algılaması

Kod algılaması, tarafınızdan zaten kaydedilmiş olan bir kodun belirlenmesini sağlar.

5.4.1 LED sürekli yanana kadar "SETUP" tuşuna basın.

5.4.2 Cihaz tuşu üzerinden, kumanda edilecek cihazı seçin (örn. TV). Seçim başarılı olduğunda LED bir defa yanıp söner ve ardından sürekli yanar.

5.4.3 "SETUP" tuşuna basın. LED bir defa yanıp söner ve ardından sürekli yanar.

5.4.4 İlk rakamı aramak için 0 ile 9 arasındaki rakam tuşlarından birine basın. LED, beş basamaklı kod numarasının birinci rakamı için bir kez yanıp söner.

5.4.5 5.4.4 adımını ikinci, üçüncü, dördüncü ve beşinci rakam için tekrarlayın.

5.4.6 Ardından belirlenen kodu, daha sonraki bir zamanda tekrar ihtiyaç duymaz halinde (örn. uzaktan kumanda ayarlarının yanlışlıkla silinmesinden sonra), aşağıdaki tabloya girebilirsiniz.

KODLAR			
TV	SOUND	STB	DVD
AUX	AMP	CBL	DVBT

6. Özel fonksiyonlar

6.1 Kanal punch through

Kanal punch through fonksiyonu ile PROG+ ve PROG- komutları güncel kumanda edilen cihazı baypas edebilir ve ikinci cihazın kanallarını değiştirebilir. Diğer tüm komutlar bundan etkilenmez.

Kanal punch through fonksiyonunun etkinleştirilmesi:

- İstenilen cihaz tuşuna (örn. TV) basın.
- "PROG" tuşunu basılı tutun.
- İstenilen cihaz tuşuna (örn. SAT) basın.
- "PROG+" tuşunu tekrar bırakın (LED, ayar etkinleştirildiğinde bir defa yanıp söner).

Kanal punch through fonksiyonunun devre dışı bırakılması:

- İstenilen cihaz tuşuna (örn. TV) basın.
- "PROG-" tuşunu basılı tutun.
- İstenilen cihaz tuşuna (örn. SAT) basın.
- "PROG-" tuşunu tekrar bırakın (LED, ayar devre dışı bırakıldığında iki defa yanıp söner).

6.2 Ses seviyesi punch through

Ses seviyesi punch through fonksiyonu ile VOL+ ve VOL- komutları güncel kumanda edilen cihazı baypas edebilir ve ikinci cihazın ses seviyesini ayarlayabilir. Diğer tüm komutlar bundan etkilenmez.

Ses seviyesi punch through fonksiyonunun etkinleştirilmesi:

- İstenilen cihaz tuşuna (örn. TV) basın.
- "VOL" tuşunu basılı tutun.
- İstenilen cihaz tuşuna (örn. SAT) basın.
- "VOL+" tuşunu tekrar bırakın (LED, ayar etkinleştirildiğinde bir defa yanıp söner).

Kanal punch through fonksiyonunun devre dışı bırakılması:

- İstenilen cihaz tuşuna (örn. TV) basın.
- "VOL-" tuşunu basılı tutun.
- İstenilen cihaz tuşuna (örn. SAT) basın.
- "VOL-" tuşunu tekrar bırakın (LED, ayar devre dışı bırakıldığında iki defa yanıp söner).

6.3 Makro güç

Makro güç ile aynı anda iki AV cihazı açabilirsiniz/kapatabilirsiniz.

Makro güç fonksiyonunun etkinleştirilmesi:

- İstenilen cihaz tuşuna (örn. TV) basın.
- "POWER" tuşunu basılı tutun.
- İstenilen cihaz tuşuna (örn. SAT) basın.
- "POWER" tuşunu tekrar bırakın (LED, ayar etkinleştirildiğinde bir defa yanıp söner).

Makro güç fonksiyonunun devre dışı bırakılması:

- İstenilen cihaz tuşuna (örn. TV) basın.
- "POWER" tuşunu basılı tutun.
- İstenilen cihaz tuşuna (örn. SAT) basın.
- "POWER" tuşunu tekrar bırakın (LED, ayar devre dışı bırakıldığında iki defa yanıp söner).

7. Bakım

- Üniversal uzaktan kumandada eski ve yeni pilleri asla aynı anda kullanmayın. Çünkü eski piller akma eğilimindedir ve performans düşüşüne nede olur.
- Üniversal uzaktan kumandayı hiçbir zaman aşındırıcılar veya güçlü temizlik maddeleriyle temizlemeyin.
- Üniversal uzaktan kumandayı kuru, yumuşak bir bezle silerek tozdan uzak tutun.

8. Hata giderme

- F. Üniwersal uzaktan kumandam çalışmıyor!
- A. AV cihazını kontrol edin. Cihazın ana şalteri kapalı olduğunda, üniwersal uzaktan kumanda cihazı kumanda etmez.
- A. Pillerin doğru bir şekilde yerleştirilmiş olup olmadığını kontrol edin ve polariteye dikkat edin.
- A. Cihaz için uygun tuşa basılıp basılmadığını kontrol edin.
- A. Pilleri, düşük pil seviyesinde değiştirin.
- F. Bir AV cihazın markası için birden fazla cihaz kodu listelenmişse, doğru kodu nasıl seçerim?
- A. AV cihazı için doğru cihaz kodunu belirlemek için, çoğu kod düzgün çalışana kadar kodları art arda test edin.
- F. AV cihazım sadece bazı tuşlara tepki veriyor.
- A. Tuşlar düzgün çalışana kadar başka kodlar deneyin.
- F. AV cihazımın markası kod listesinde yok.
- A. Bu durumda manuel kod aramasını (Bölüm 5.2) veya otomatik kod aramasını (Bölüm 5.3) deneyin. Kod araması sırasında, bir cihaz tipi için tüm kodlar, üreticiler arasında test edilir, örn., üreticiden bağımsız olarak SAT alıcıları için tüm kodlar.
- F. AV cihazımın markası için mevcut olan tüm kodları denedim, fakat belirtilen kodların hiçbiri çalışmıyor.
- A. Bu durumda manuel kod aramasını (Bölüm 5.2) veya otomatik kod aramasını (Bölüm 5.3) deneyin. Kod araması sırasında, bir cihaz tipi için tüm kodlar, üreticiler arasında test edilir, örn., üreticiden bağımsız olarak SAT alıcıları için tüm kodlar.

9. Sorumluluktan muafiyet

Hama GmbH & Co KG, ürünün yanlış kurulumu, montajı ve yanlış kullanımı ya da kullanım kılavuzunun ve/veya güvenlik açıklamalarının dikkate alınmaması sonucu kaynaklanan hasarlar için hiçbir sorumluluk veya garanti sağlamayı kabul etmez.

Yleiskaukosäädin

Suurkiitos, että valitsit Hama-tuotteen.
Varaa aikaa ja lue seuraavat ohjeet ensin kokonaan läpi.
Säilytä käyttöohjetta huolellisesti myöhempää tarvetta varten.

Toimintopainikkeet (mallit 4-in-1, 8-in-1)

1. Mykistyskytkin
2. Laittevalinnan painikkeet
3. Text EIN: Kytke teksti-tv päälle
4. Halten: Pidä valitun teksti-tv:n sivu
5. ◀◀ Taaksepäin/punainen
 - ▶▶ Toisto/keltainen
 - ▶▶ Nopeasti eteenpäin / sininen
 - Aloita tallennus
 - Pysäytys/vihreä
 - || Tauko/magenta
6. Vaihtopainike
7. Menu: Avaa laitevalikko
8. Tilapainike toissijaisen laiteryhmän valintaa varten (vain malli 8-in-1: AUX, DVBT, CBL, AMP)
9. Vol+/Vol-: Äänenvoimakkuuden säätö
10. Setup: Kaukosäätimen asetukset
11. Numeropainikkeet 0–9
12. Smart TV: Avaa älytelevisiovalikko (jos päätelaite tukee)
Shift+Smart TV: valitse ulkoinen AV-lähde
13. APPS: Avaa sovellusvalikko (jos päätelaite tukee)
Shift+APPS : vaihda kaksinumeroisiin kanaviin
14. PROG+/PROG-: kanavan valinta, ylöspäin/alaspäin
15. EXIT: poistu laitevalikosta
16. OK: vahvista valinta
17. EPG: Sähköinen ohjelmaopas (jos valittu AV-laite tukee)
18. Info: Kuvaruututiedot (jos AV-laite tukee)
19. Text AUS: poistu teksti-tv:stä
20. Power: Päälle-/poiskytkentä/LED

1. Varoitusmerkkien ja ohjeiden selitykset**Varoitus**

Niillä merkitään turvallisuusohjeet ja kiinnitetään huomio erityisiin vaaroihin ja riskeihin.

Huomautus

Käytetään lisätietojen tai tärkeiden ohjeiden merkitsemiseen.

2. Toimituksen sisältö

- Yleiskaukosäädin
- Koodiluettelo
- Käyttöohje
- 2 AAA paristoa

3. Turvallisuusohjeet

- Älä käytä yleiskaukosäädintä kosteassa ympäristössä ja vältä roiskevettä.
- Pidä yleiskaukosäädin etäällä lämmönlähteistä äläkä altista sitä suoralle auringonvalolle.
- Yleiskaukosäädin, kuten kaikki muutkin sähkölaitteet, ei kuulu lasten käsiin.
- Tuote on tarkoitettu yksityiseen, ei-kaupalliseen kotikäyttöön.
- Käytä tuotetta vain sen käyttötarkoituksen mukaisesti.
- Suojaa tuotetta lialta, kosteudelta ja ylikuumentumiselta ja käytä sitä vain kuivissa tiloissa.
- Älä käytä tuotetta alueilla, joilla elektroniikkalaitteet eivät ole sallittuja.
- Älä anna laitteen pudota äläkä altista sitä voimakkaalle tärinälle.
- Älä tee muutoksia laitteeseen. Muutosten tekeminen johtaa kaikkien takuuoikeuksien menettämiseen.
- Pidä pakkausmateriaalit ehdottomasti poissa lasten ulottuvilta: niistä aiheutuu tukehtumisvaara.
- Hävitä pakkausmateriaalit heti paikallisten jätehuoltomääräysten mukaisesti.
- Älä käytä tuotetta sen teknisissä tiedoissa ilmoitettujen suorituskykyrajojen ulkopuolella.
- Älä avaa tuotetta, äläkä jatka sen käyttöä, jos se on vaurioitunut.
- Älä yritä huoltaa tai korjata tuotetta itse. Jätä huoltotyöt päteville henkilöstölle.
- Käytä tuotetta vain kohtuullisissa ilmasto-olosuhteissa.

Varoitus paristoista



- Varmista ehdottomasti, että paristojen navat (+ ja –) ovat oikein päin, ja aseta ne paikoilleen sen mukaisesti. Jos tätä ohjetta ei noudateta, paristot voivat vuotaa tai räjähtää.
- Käytä ainoastaan paristoja, jotka vastaavat ilmoitettua tyyppiä. Säilytä oikean pariston valintaa koskevat ohjeet, jotka sisältyvät laitteiden käyttöohjeeseen, myöhempää tarvetta varten.
- Puhdista ennen paristojen asettamista paikoilleen paristo- ja vastakontaktit.
- Älä anna lasten vaihtaa paristoja ilman valvontaa.
- Vaihda sarjan kaikki paristot kerralla.
- Älä sekoita keskenään vanhoja ja uusia paristoja tai erityyppisiä tai eri valmistajan paristoja.
- Ota paristot pois tuotteista, jotka ovat pitkään käyttämättä (paitsi jos tuotteita pidetään valmiina hätätilannetta varten).
- Älä oikosulje paristoja.
- Älä lataa paristoja.
- Älä heitä paristoja avotuleen äläkä lämmitä niitä.
- Älä koskaan avaa, vaurioita tai niele paristoja äläkä anna niiden päätyä ympäristöön. Ne voivat sisältää myrkyllisiä ja ympäristölle haitallisia raskasmetalleja.
- Poista tyhjentyneet paristot tuotteesta ja hävitä ne viipymättä.
- Vältä varastointia, lataamista ja käyttöä äärimmäisissä lämpötiloissa ja erittäin alhaisissa ilmanpaineissa (kuten korkeissa paikoissa).
- Varmista, että paristot, joiden kotelo on vaurioitunut, eivät joudu kosketuksiin veden kanssa.
- Säilytä paristot poissa lasten ulottuvilta.



4. Valmistelu – paristojen sisäänasettaminen

Huomautus

- Käytä mieluiten alkaliparistoja. Tarvitset kaksi AAA-paristoa (LR 03/micro).
- Irrota yleiskaukosäätimen takaosassa oleva paristolokeron kansi (A).
- Aseta paristot sisään +/- -napaisuusmerkinnän mukaan (B).
- Sulje paristolokero (C).

Huomautus: Koodimuisti

Paristoja vaihdettaessa kaikki ohjelmoidut koodit pysyvät muistissa 10 minuuttia. Varo painamasta mitään painikkeita ennen kuin uudet paristot on asetettu kaukosäätimeen. Jos painat jotakin painiketta ja kaukosäätimessä ei ole paristoja, kaikki koodit poistetaan.

Huomautus: Energiansäästötoiminto

Kaukosäädin kytkeytyy automaattisesti pois päältä, jos jotakin painiketta painetaan yli 15 sekuntia. Tämä pidentää paristojen käyttöikää, jos kaukosäädin on joutunut sellaiseen paikkaan, esim. sohvatyynyjen väliin, jossa painikkeet on jatkuvasti alaspainettuina.

5. Asetukset



Huomautus

- Jotta infrapunasäätö toimii kunnolla, pidä kaukosäädintä aina suunnilleen käytettävän laitteen suuntaan.
- Valitse toissijainen laiteryhmä painamalla MODE-painiketta: AUX, AMP,DVB-T, CBL (vain 8-in-1-malli).
- Paina SHIFT-painiketta, jotta voit ohjata sinisiä toimintopainikkeita. Vaihtotoiminto deaktivoituu painamalla uudelleen SHIFT-painiketta tai automaattisesti 30 sekunnin kuluttua, jos mitään painiketta ei paineta.
- SETUP-tila sulkeutuu automaattisesti, jos mitään tietoa ei syötetä 30 sekunnin sisällä. LED vilkkuu kuusi kertaa ja sammuu sen jälkeen.
- Kukin laitetyyppi voidaan ohjelmoida mihin tahansa laitepainikkeeseen, esim. televisio voidaan ohjelmoida DVD:hen, AUX:iin jne.
- Yleiskaukosäätimellä ei voi käyttää mitään laitetta, niin kauan kun kaukosäädin on Setup-tilassa. Poistu Setup-tilasta ja valitse käytettävä laite laitevalinnan painikkeilla.
- Huomioi, että kaukosäädin lähettää infrapunasignaaleja. Ihmissilmä ei näe niitä.

5.1 Suora koodin syöttö

Yleiskaukosäätimen toimitukseen sisältyy koodiluettelo. Koodiluettelo sisältää viisinumeroisia koodeja, joilla kaukosäädin asetetaan useimpien AV-laitevalmistajien laitteita varten. Käytön helpottamiseksi koodit on lajiteltu ensin laitetyyppiin mukaan (TV, DVD jne.) ja sitten aakkosjärjestyksessä laitetyyppiin kuuluvan tuotemerkin mukaan. Seuraavan QR-koodin avulla voit luoda luettelon koodeista, jotka ovat käytettävissä päätelaitteesi merkille.



<https://support.hama.com/codefinder>

- 5.1.1 Kytke käytettävä laite päälle.
- 5.1.2 Paina SETUP-painiketta, kunnes LED palaa jatkuvasti.
- 5.1.3 Valitse laitepainikkeella käytettävä laite (esim. televisio). Valinnan onnistuessa LED vilkkuu kerran ja palaa sen jälkeen jatkuvasti.
- 5.1.4 Hae koodiluettelosta käytettävän laitteen merkki ja tyyppi.
- 5.1.5 Syötä laitetta vastaava viisinumeroinen koodi numeropainikkeilla 0–9. LED vahvistaa kunkin numeron syötön lyhyellä vilkunnalla ja sammuu sitten viidennen numeron jälkeen.

5.1.6 Testaa sitten kaukosäädin ja tarkista, voiko sillä ohjata haluttuja toimintoja. Ehkä ensimmäinen koodi ei ole sopivin, jolloin kaikki toiminnot eivät ole käytettävissä. Kokeile tässä tapauksessa seuraavaa koodia, joka on mainittu luettelossa valitulle laitetypille ja -merkille.

Huomautus

- Kelvollinen koodi tallennetaan automaattisesti.
- Jos koodi on kelvoton, LED vilkkuu kuusi kertaa ja sammuu sen jälkeen. Toista vaiheet 5.1.1–5.1.5 tai käytä jotakin toista tapaa koodin syöttämisessä.

5.2 Manuaalinen koodihaku

Yleiskaukosäätimessä on sisäinen muisti, jossa on jo valmiiksi 350 koodia per laitetyyppi yleisimmistä AV-laitteista. Voit käydä nämä koodit läpi, kunnes käytettävä laite reagoi johonkin niistä. Esimerkiksi käytettävä laite kytkeytyy pois päältä (POWER-painike) tai vaihtaa kanavaa (PROG+/PROG- -painike).

5.2.1 Kytke käytettävä laite päälle.

5.2.2 Paina SETUP-painiketta, kunnes LED palaa jatkuvasti.

5.2.3 Valitse laitepainikkeella käytettävä laite (esim. televisio). Valinnan onnistuessa LED vilkkuu kerran ja palaa sen jälkeen jatkuvasti.

5.2.4 Selaa esiasetettuja koodeja painamalla POWER- tai PROG+/PROG- -painiketta, kunnes käytettävä laite reagoi johonkin niistä.

5.2.5 Tallenna koodi painamalla OK ja poistu koodihausta. LED sammuu.

5.2.6 Testaa sitten kaukosäädin ja tarkista, voiko sillä ohjata haluttuja toimintoja. Ehkä ensimmäinen koodi ei ole sopivin, jolloin kaikki toiminnot eivät ole käytettävissä. Toista tässä tapauksessa vaiheet 5.2.1–5.2.5. Koodihaku käynnistyy seuraavasta koodista, joka seuraa viimeksi tallennettua koodia.

Huomautus

- Sisäiseen muistiin voidaan tallentaa korkeintaan 350 koodia tavallisimmista laitteista. Koska markkinoilla on saatavilla lukuisia AV-laitteita, saattaa käydä niin, että vain tavallisimmat päätoiminnot ovat käytettävissä. Jos näin käy, toista vaiheet 5.2.1–5.2.5, jotta löydät sopivamman koodin. Joillekin erikoisille laitemalleille ei ehkä löydy mitään koodia.

5.3 Automaattinen koodihaku

Automaattinen koodihaku käyttää samoja esiasetettuja koodeja kuin manuaalinen koodihaku (5.2). Yleiskaukosäädin käy läpi koodit kuitenkin automaattisesti, kunnes käytettävä laite reagoi johonkin niistä. Esimerkiksi käytettävä laite kytkeytyy pois päältä (POWER-painike) tai vaihtaa kanavaa (PROG+/PROG- -painike).

5.3.1 Kytke käytettävä laite päälle.

5.3.2 Paina SETUP-painiketta, kunnes LED palaa jatkuvasti.

5.3.3 Valitse laitepainikkeella käytettävä laite (esim. televisio). Valinnan onnistuessa LED vilkkuu kerran ja palaa sen jälkeen jatkuvasti.

5.3.4 Käynnistä automaattinen koodihaku painamalla PROG+/PROG- -painiketta tai POWER-painiketta. LED vilkkuu kerran ja palaa sen jälkeen jatkuvasti. Yleiskaukosäädin aloittaa ensimmäisen haun 6 sekunnin kuluttua.

Huomautus:

Hakunopeuden säätäminen

- Koodikohtaisen hakuajan oletusasetus on 1 sekunti. Halutessasi voit vaihtaa 3 sekunnin hakuikaan per koodi. Vaihda hakuajojen välillä painamalla PROG+ tai PROG- -painiketta 6 sekunnin sisällä ennen automaattisen koodihaun aloitusta.

5.3.5 LED vahvistaa kunkin koodihaun vilkkumalla kerran.

5.3.6 Heti kun käytettävä laite reagoi koodiin, tallenna koodi ja poistu koodihausta painamalla OK-painiketta. LED sammuu.

5.3.7 Testaa sitten kaukosäädin ja tarkista, voiko sillä ohjata haluttuja toimintoja. Ehkä ensimmäinen koodi ei ole sopivin, jolloin kaikki toiminnot eivät ole käytettävissä. Toista tässä tapauksessa vaiheet 5.3.1–5.3.6. Koodihaku käynnistyy seuraavasta koodista, joka seuraa viimeksi tallennettua koodia.

5.3.8 Automaattinen haku voidaan keskeyttää painamalla EXIT-painiketta.

Huomautus

- Kun kaikki koodit on käyty läpi ilman toivottua tulosta, yleiskaukosäädin poistuu automaattisesti koodihausta ja palaa automaattisesti käyttötilaan. Tallennettu koodi pysyy samana.

5.4 Koodin tunnistus

Koodin tunnistuksen avulla voit määrittää jo tallentamasi koodin.

- 5.4.1 Paina SETUP-painiketta, kunnes LED palaa jatkuvasti.
- 5.4.2 Valitse laitepainikkeella käytettävä laite (esim. televisio).
Valinnan onnistuessa LED vilkkuu kerran ja palaa sen jälkeen jatkuvasti.
- 5.4.3 Paina SETUP-painiketta. LED vilkkuu kerran ja palaa sen jälkeen jatkuvasti.
- 5.4.4 Hae ensimmäinen numero painamalla yhtä numeropainikkeista 0–9. LED vilkkuu kerran viisinumeroisen koodinumeron ensimmäiselle numerolle.
- 5.4.5 Toista vaihe 5.4.4 toiselle, kolmannelle, neljännelle ja viidennelle numerolle.
- 5.4.6 Voit syöttää määritetyn koodin alla olevaan taulukkoon, jos tarvitset sitä myöhemmin uudelleen (esim. jos poistat vahingossa kaukosäätimen asetukset).

CODES			
TV	SOUND	STB	DVD
AUX	AMP	CBL	DVBT

6. Erikoistoiminnot

6.1 Kanavan Punch-Through

Kanavan Punch-Through-toiminnolla PROG+ tai PROG- komennot voivat ohittaa parhaillaan ohjattavan laitteen ja vaihtaa toisen laitteen kanavat. Tämä ei vaikuta muihin komentoihin.

Kanavan Punch-Through-toiminnon aktivoiminen:

- Paina haluttua laitepainiketta (esim. TV).
- Pidä PROG+ -painiketta alaspainettuna.
- Paina haluttua laitepainiketta (esim. SAT).
- Vapauta PROG+ -painike (LED vilkkuu kerran, kun asetus aktivoidaan).

Kanavan Punch-Through-toiminnon deaktivoiminen:

- Paina haluttua laitepainiketta (esim. TV).
- Pidä PROG- -painiketta alaspainettuna.
- Paina haluttua laitepainiketta (esim. SAT).
- Vapauta PROG- -painike (LED vilkkuu kaksi kertaa, kun asetus deaktivoidaan).

6.2 Äänenvoimakkuuden Punch-Through

Äänenvoimakkuuden Punch-Through-toiminnolla VOL+ tai VOL- -komennot voivat ohittaa parhaillaan ohjattavan laitteen ja säätää toisen laitteen äänenvoimakkuuden. Tämä ei vaikuta muihin komentoihin.

Äänenvoimakkuuden Punch-Through-toiminnon aktivoiminen:

- Paina haluttua laitepainiketta (esim. TV).
- Pidä VOL+ -painiketta alaspainettuna.
- Paina haluttua laitepainiketta (esim. SAT).
- Vapauta VOL+ -painike (LED vilkkuu kerran, kun asetus aktivoidaan).

Äänenvoimakkuuden Punch-Through-toiminnon deaktivoiminen:

- Paina haluttua laitepainiketta (esim. TV).
- Pidä VOL- -painiketta alaspainettuna.
- Paina haluttua laitepainiketta (esim. SAT).
- Vapauta VOL- -painike (LED vilkkuu kaksi kertaa, kun asetus deaktivoidaan).

6.3 Macro Power

Macro Power -toiminnolla voidaan kaksi AV-laitetta kytkeä päälle ja pois päältä samanaikaisesti.

Macro Power -toiminnon aktivoiminen:

- Paina haluttua laitepainiketta (esim. TV).
- Pidä POWER-painiketta alaspainettuna.
- Paina haluttua laitepainiketta (esim. SAT).
- Vapauta POWER-painike (LED vilkkuu kerran, kun asetus aktivoidaan).

Macro Power -toiminnon deaktivoiminen:

- Paina haluttua laitepainiketta (esim. TV).
- Pidä POWER-painiketta alaspainettuna.
- Paina haluttua laitepainiketta (esim. SAT).
- Vapauta POWER-painike (LED vilkkuu kaksi kertaa, kun asetus deaktivoidaan).

7. Huolto

- Älä käytä yleiskaukosäätimessä samanaikaisesti vanhoja ja uusia paristoja, sillä vanhat paristot vuotavat helposti ja voivat heikentää suorituskykyä.
- Älä puhdistä yleiskaukosäädintä hankaavilla aineilla tai voimakkailla puhdistusaineilla.
- Pidä yleiskaukosäädin pölyttömänä puhdistamalla se kuivalla pehmeällä liinalla.

8. Vianmääritys

K.Miksi yleiskaukosäädin ei toimi?

V.Tarkista AV-laite. Kun laitteen pääkytkin on kytketty pois päältä, yleiskaukosäädin ei pysty ohjaamaan laitetta.

V.Tarkista, että paristot on asetettu oikein päin napaisuusmerkinnän mukaan.

V.Tarkista, oletko painanut laitetta vastaavaa laitepainiketta.

V.Jos paristojen varaus on heikko, vaihda ne uusiin.

K.Jos luettelossa on useampia laitekoodeja AV-laitteelle, kuinka valitsen oikean laitekoodin?

V.Valitse oikea laitekoodi AV-laitteelle testaamalla koodit toisensa jälkeen, kunnes useimmat painikkeet toimivat asianmukaisesti.

K.Miksi AV-laite reagoi vain joihinkin painikekomentoihin?

V.Kokeile muita koodeja, kunnes useimmat painikkeet toimivat asianmukaisesti.

K.Miksi AV-laitteeni merkkiä ei ole mainittu koodiluettelossa?

V.Käytä tässä tapauksessa manuaalista koodihakua (luku 5.2) tai automaattista koodihakua (luku 5.3). Koodihaussa testataan kaikki laitetyyppin koodit eri valmistajien välillä, esim. kaikki SAT-vastaanottimien koodit valmistajasta riippumatta.

K.Olen kokeillut kaikki AV-laitteeni merkkiä vastaavat koodit. Miksi mikään niistä ei toimi?

V.Käytä tässä tapauksessa manuaalista koodihakua (luku 5.2) tai automaattista koodihakua (luku 5.3). Koodihaussa testataan kaikki laitetyyppin koodit eri valmistajien välillä, esim. kaikki SAT-vastaanottimien koodit valmistajasta riippumatta.

9. Vastuuvapauslauseke


Hama GmbH & Co KG ei vastaa millään tavalla vahingoista, jotka johtuvat epäasianmukaisesta asennuksesta ja tuotteen käytöstä tai käyttöohjeen ja/tai turvallisuusohjeiden vastaisesta toiminnasta.

hama

Hama GmbH & Co KG
86652 Monheim / Germany

Service & Support

 www.hama.com

 +49 9091 502-0

D GB



All listed brands are trademarks of the corresponding companies. Errors and omissions excepted, and subject to technical changes. Our general terms of delivery and payment are applied.

00221052_54/11.23